



Bajaj Auto Limited
Akurdi Pune 411 035 India
Tel +91 20 27472851
Fax +91 20 27407385
www.bajajauto.com

Spare Parts Catalogue





Notice

All information contained in this manual is based on the latest product information at the time of publication. Bajaj Auto Limited accepts no liability for any inaccuracies or omissions in this publication, although every possible care has been taken to make it as complete and accurate as possible. All procedures and specifications subject to change without prior notice. The right is reserved to make such changes at any time without prior notice and without incurring an obligation to make such changes to product manufactured previously. Contact your authorized Bajaj Dealer for the latest information on product improvements incorporated after this manual was issued.

DOC. NO.: 71111622

REV. 05, JUN. 14

Copy rights : All rights reserved. No part of this publicatin may be reproduced, stored in a retrival system, Or transmitted in any form or by any means, electronic mechanical photocopying, recording or otherwise, without the prior written permission of Bajaj Auto LTD.



Revision No. & Change Details

REV. NO., MM YY	PART NUMBER	SHORT DESCRIPTION	QTY.	SR. NO.	PAGE NO.	A: Add D: Delete C: Change	Reason for change	
01, JUNE 13	39 2699 20	'O' Ring Water Temp Sen.	1	16	4	A	Addition of New Serviceable Parts	
	JG 5612 15	Compression Spring	2	11	16	A		
	DK 1210 58	Gasket Float Chamber	1	23	36	A		
	JA 3516 27	'O' Ring Starter Motor	1	14	42	A		
	36 JL00 15	Kit Pillion Hardware	2	14A	54	A		
	JL 1130 28	Rubber Pad Rider Footrest	2	21A	54	A		
	JL 1130 36	Rubber Pad Pillion Footrest	2	21B	54	A		
	JL 1130 20	Lock Plate LH	1	22	54	A		
	JL 1130 32	Lock Plate RH	1	23	54	A		
	36 JL00 41	Kit Main Step Hardware	2	24	54	A		
	DK 1510 73	Master Cyl. Major Kit	1	17	70	A		
	DK 1510 74	Master Cyl. Minor Kit	1	18	70	A		
	JL 1812 53	Chain Cover RH Side	1	13	94	A		
	LA C000 08	Bolt Socket Head	2	14	94	A		
	JU 2312 05	Nut Leg Guard Mtg	1	14	106	A		
	JL 1710 96	Sealing Ring Fuel Cock	1	24	86	A		
	JD 4010 23	Cover- Number Plate Lamp	1	21	100	A		
	LJ A000 04	'O' ring strainer	1	14A	22	A		
	DK 1510 45	Cap Reservoir-Rear Brake	1	19	70	A		
	36 JG00 18	Reservoir with Cap-Rr Br	1	20	70	A		
	JG 5512 20	Washer Splined	2	5	14	C		Earlier part no. JG 5512 10
	39 2562 20	Bearing - Needle Roller	1	20	20	C		Quantity was not mentioned(1no.)
	JG 6010 11	Cover Water Pump	1	12	24	C		Earlier part no. JL 5412 16
	52 JL00 73	Clutch Cover Assly	1	1	30	C		Earlier part no. 36 JL00 02
	36 JL00 21	Kit Idling Screw	1	7	36	C		Earlier part no. JL 5812 07
	DK 1210 45	Float Assembly	1	21	36	C		Earlier part no. DK 1510 45
	JL 1111 06	Frame Assly Complete	1	1	50	C		Earlier part no. JL 1111 07
	39 2038 04	Bolt	2	6	56	C		Quantity was not mentioned (2 nos.)
	DK 1510 88	Caliper Piston Kit	1	11	70	C		Earlier part no. DK 1510 31



Revision No. & Change Details

REV. NO., MM YY	PART NUMBER	SHORT DESCRIPTION	QTY.	SR. NO.	PAGE NO.	A: Add D: Delete C: Change	Reason for change	
	DK 1510 89	Caliper Piston Seal Kit	1	12	70	C	Earlier part no. DK 1510 74	
	JL 2316 00	Mirror Assy LH	1	23	74	C	Quantity was not mentioned (1 no.)	
	JL 1814 08	Cover 2- Hugger Rear	1	7	94	C	Quantity was not mentioned (1 no.)	
	DP 1611 45	Rear Number Plate	1	16	100	C	Earlier part no. JL 2328 00	
	DG 1611 44	Bolt	1	9	54	9	DNot applicable to model	
	36 JL00 31	Kit Tank Cover H Ware	1	26	88	A	Ser Cir No. D-49 dated 04/10/2012	
	JG 5410 58	Chain Guard	1	18	22	A	Ser Cir No. D-52 dated 11/02/2013	
	KB BG06 12	Pan Head Screw	3	19	22	A	Ser Cir No. D-52 dated 11/02/2013	
	JG 6012 35	Pressure Cap Radiator	1	17	28	C	Ser Cir No. D-53 dated 19/02/2013	
	JL 6012 27	Hose -Expansion Tank	1	24	28	C	Ser Cir No. D-53 dated 19/02/2013	
	DH 1012 95	Wave Washer	2	11	6	A	Ser Cir No. D-54 dated 19/03/2013	
	39 2440 11	Plain Washer	4	12	6	A	Ser Cir No. D-54 dated 19/03/2013	
	02, Dec. 13	JU 5312 15	Balancer Assly	1	7	20	C	Ser Cir No. D-55 dated 13/05/2013
		JL 1318 41	Bracket- Reservoir Mtng	1	22	74	A	Ser Cir No. D-57 dated 13/06//2013
		JL 1318 78	Bracket Reservoir cap	1	23	74	A	Ser Cir No. D-57 dated 13/06//2013
		39 2420 01	Screw	1	24	74	A	Ser Cir No. D-57 dated 13/06//2013
		KB UA06 12	Screw	2	27	96	C	Refer Cir. D-58 dated 19/06/2013
		LA C000 54	Bolt Socket Head	2	14	102	C	Refer Cir. D-58 dated 19/06/2013
		LD B000 10	Washer - Plain	2	4	12	C	Refer Cir. D-58 dated 19/06/2013
		LA D000 55	Hex Bolt Flanged	1	9	44	C	Refer Cir. D-58 dated 19/06/2013
		JL 6012 31	Sleeve	3	4	28	C	Refer Cir. D-58 dated 19/06/2013
		JL 1318 77	Clamp Hose Reservoir	1	25	74	A	Refer Cir. D-59 dated 04/10/2013
		JL 1710 81	Tank Assembly	1	1	94	C	Refer Cir. D-60 dated 15/10/2013
		JL 4026 02	Sensor Fuel Level	1	6	94	C	Refer Cir. D-60 dated 15/10/2013
	JL 4024 05	Speedometer Assembly	1	1	98	C	Refer Cir. D-60 dated 15/10/2013	
	JG 4016 01	Horn LH	1	8	110	C	Refer Cir. D-60 dated 15/10/2013	
	36JL0046	Kit Assly Clutch Cover	1	1	32	A	Ser Cir No. D-62 dated 29/11/2013	
	52JL0145	Magneto Cover Assembly	1	1	34	A		
JL541230	Damper Clutch Cover	1	20	32	A			

Revision No. & Change Details



REV. NO., MM YY	PART NUMBER	SHORT DESCRIPTION	QTY.	SR. NO.	PAGE NO.	A: Add D: Delete C: Change	Reason for change
	JL 5412 31	Plate Damper Clutch Cover	1	21	32	A	Ser Cir No. D-62 dated 29/11/2013
	JE 5412 18	Cap Oil Filter	1	26	20	A	
	JL 541227	Window Oil Gauge	1	8	32	A	
	JL 231404	Grab Handle Assy LH	1	3	114	A	
	JL 231405	Grab Handle Assy RH	1	4	114	A	
	56 JL335X	Upper Bracket Black	1	18	80	A	
	56 JL315X	Handle Holder LH Black	1	2	78	A	
	56 JL325X	Handle Holder RH Black	1	6	78	A	
	56 JL023G	Blinker Bkt Light Silver	1	9	108	A	
	52 JL0141	Assembly Disc Front JL	1	5	66	A	
	52 JL0142	Assembly Disc Rear JL	1	16	72	A	
	56 JL0101	Step Pillion Assy Compl.	1	14	56	A	
	56 JL0201	Step Pillion Assy Compl.	1	15	56	A	
	56 JL073G	Flap Moon Light Silver	1	13	56	A	
	56 JL083G	Flap Moon Light Silver	1	17	56	A	
	52 JL0158	Step Assly Main LH Mtl	1	8	56	A	
	52 JL0159	Step Assly Main RH Mtl	1	2	56	A	
	56 JL0401	Cap Tank (Moon Silver)	1	2	94	A	
	56 JL0601	Eng Stay Assly LH Color	1	1	50	A	
	56 JL0701	Eng Stay Assly RH Color	1	2	50	A	
	JL 7401X3	Tank Cover Top JL	1	1	84	A	
	56 JL20X3	Tank Cover Side LH	1	2	84	A	
	56 JL21X3	Tank Cover Side RH	1	3	84	A	
	56 JL204R	Tank Cover Side LH	1	2	84	A	
	56 JL214R	Tank Cover Side RH	1	3	84	A	
	56 JI20 5N	Tank Cover Side LH	1	2	84	A	
	56 JI21 5N	Tank Cover Side RH	1	3	84	A	
	KA Ca06 10	Bolt Master Kac	1	12	114	A	
	LA C000 35	Bolt Socket	4	5	114	A	

Revision No. & Change Details



REV. NO., MM YY	PART NUMBER	SHORT DESCRIPTION	QTY.	SR. NO.	PAGE NO.	A: Add D: Delete C: Change	Reason for change
	56JL205Y	Tank Cover Side LH	1	2	84	A	Ser Cir No. D-62 dated 29/11/2013
	56JL215Y	Tank Cover Side RH	1	3	84	A	
	52JL0187	Fender Fr with Guide	1	6	86	A	
	52JL0188	Fender Fr with Guide &	1	6	86	A	
	52JL0189	Fender Fr with Guide &	1	6	86	A	
	52JL0190	Fender Fr with Guide &	1	6	86	A	
	52JL0191	Side Mask LH E Black	1	5	86	A	
	52JL0192	Side Mask RH E Black	1	4	86	A	
	52JL0193	Side Mask LH P Red	1	5	86	A	
	52JL0194	Side Mask RH P Red	1	4	86	A	
	52JL0195	Side Mask LH S Blue	1	5	86	A	
	52JL0196	Side Mask RH S Blue	1	4	86	A	
	52JL0197	Side Mask LH M White	1	5	86	A	
	52JL0198	Side Mask RH M White	1	4	86	A	
	56JL104R	Seat Cowl Passion Red	1	7	88	A	
	56JL105N	Seat Cowl Saffire Blue	1	7	88	A	
	56JL105Y	Seat Cowl Metallic White	1	7	88	A	
	56JL10X3	Seat Cowl Ebony Black	1	7	88	A	
	36JL0026	Fairing DCL	1	13	88	A	
	36JL0049	Kit Dcl Fairing P Red	1	13	88	A	
	36JL0048	Kit Dcl Fairing S Blue	1	13	88	A	
	36JL0061	Kit Dcl Fender P Red	1	14	88	A	
	36JL0060	Kit Dcl Fender S Blue	1	14	88	A	
	36JL0058	Kit Dcl S Cowl P Red	1	16	90	A	
	36JL0057	Kit Dcl S Cowl S Blue	1	16	90	A	
	36JL0054	Kit Dcl Spoiler P Red	1	17	90	A	
	36JL0055	Kit Dcl Spoiler Blue	1	17	90	A	
	36JL0053	Kit Dcl Tank Lower Red	1	18	90	A	
	36JL0052	Kit Dcl Tank Lower Blue	1	18	90	A	



Foreword

We have pleasure in presenting the Spare Parts Catalogue for 'Pulsar 200 NS' Motorcycle. This catalogue has been specially designed to assist you in selecting the correct parts for procurement to maintain 100% availability.

The Bajaj spares are subjected to the stringent quality control standards to ensure longer life of the vehicle. It is therefore necessary that only the Genuine Bajaj Spares are used.

In a continual effort to improve Performance and Efficiency of the vehicles, Specifications, Diagrams, Illustrations and Part Numbers can change without notice. Consequently, the description in this Spare Parts Catalogue cannot therefore be final and binding on us.

The modifications / alterations which are carried out after the issue of this catalogue, will be conveyed to you through our Service Circulars. You are requested to make necessary corrections in the Parts Catalogue as per the circulars so as to keep your catalogue up-to-date. This will ensure the appropriate and speedy delivery of the Spare Parts as the order placed will bear the latest part numbers.

In case, if you need any technical assistance contact the concerned Regional Office or write to us on the following address :

Bajaj Auto Limited

Service Department

Akurdi, Pune 411 035 India

Phone : 020-27406557

Fax : 020-27407385



Instructions

- 1. How to Read the Catalogue :** Open the catalogue and from the pictorial index locate the group in which the part you want to find is present. Turn over to the concerned page number (as given by pictorial index). Now find out the figure of the part you wish to order. Write down the part number against that particular figure number from the text.

In case, if you have the part number and you need the other details, the part index can be used. The part index (at the end of the catalogue) will give you the figure and page number of the part you wish to order.

- 2. How to Order Spare Parts :** The part number and the description of the part required should be invariably mentioned in the order as per the catalogue text.

The latest part number as conveyed through our service circulars should only appear on the order. In case of ordering painted components, colour shade of the components should be mentioned.

The quantity shown against the part number is the quantity per vehicle for that group so that particular quantity should be multiplied by the number of sets required.

- 3. Part Number System :** We have used 8 digit system for part numbers. The model or hardware item is indicated by first two digits or alphanumeric, the next two or four digits indicate main group and the last four or two digits indicate serial number in main group or serial number or subgroup of fastener respectively. Thus the part numbers will be indicated by 2-2-4 or 2-4-2 digit system. Understanding this system will enable you to identify the spare parts easily.

- 4. Abbreviations :** The following abbreviations are used in this catalogue.

Assly	Assembly	V	Volts
N.I.	Not illustrated	W	Watts
C'case	Crankcase	Accl.	Accelerator
Cyl	Cylinder	Comp.	Complete
O/s	Over size	Fr.	Front
Rr.	Rear	Std.	Standard
L	Length	A/t.	Alternate
R.H.	Right hand	L.H.	Left hand
Hex.	Hexagonal	AR	As required

Plate No.	Description	Page No.
1	Cover Cylinder Head	2
2	Cylinder Head	4
3	Valve	6
4	Camshaft / Tensioner	8
5	Cylinder and Piston	10
6	Crankshaft	12
7	Transmission	14
8	Change Drum / Shift Fork	16
9	Gear Change Mechanism	18
10	Engine Assly / Crankcase RH	20
11	Crankcase LH	22
12	Balancer Idler Gear / Water Pump	24
13	Oil Pump	26
14	Radiator	28-30
15	Cover Clutch	32
16	Cover Magneto	34
17	Clutch Assly	36
18	Carburettor	38
19	Air Cleaner Complete	40
20	Silencer Assly	42
21	Starter Assly	44
22	Magneto, C.D.I. & H.T. Coil	46
23	Seat Assly / Seat Lock	48
24	Engine Mountings	50
25	Frame and Frame Fitting	52
26	Swing Arm / Rear Shock Absorber	54
27	Pillion Foot Rest / Holder	56-58
28	Mudguard- Front & Rear	60
29	Stand Assembly	62
30	Tyre/ Tube / Rim	64

Plate No.	Description	Page No.
31	Front Hub	66
32	Front Master Cylinder	68
33	Front Disc Brake	70
34	Rear Hub	72
35	Rear Disc Brake System	74
36	Rear Brake Pedal	76
37	Handle Bar Assly	78
38	Front Fork	80-82
39	Painted Parts & Decals	84-90
40	Radiator Cover	92
41	Petrol Tank, Cap Tank & Gauge Fuel	94
42	Fittings - Petrol Tank, Side Cover & Cover Seat	96
43	Meter Assly.	98
44	Control Cables	100
45	Chain Case	102
46	Head Lamp & Fairing	104
47	Indicator Light Assly.	106
48	Tail Lamp Assly. / Front No. Plate	108
49	Electrical Equipments	110
50	Tool Kit	112
51	Accessories / Grab Handle	114
	Kits List For Pulsar 200 NS	115-118
	Amendment Sheet (Parts Added)	119
	Amendment Sheet (Parts Deleted)	120
	Part Index	121

Pictorial Index




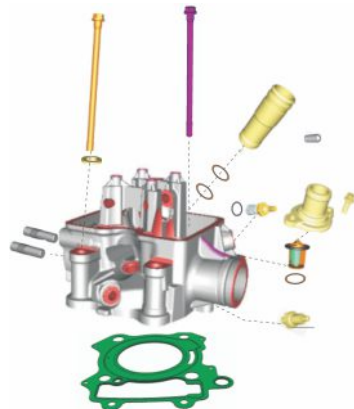


PLATE NO. : 1 COVER CYLINDER HEAD	PAGE NO. 1	PLATE NO. : 2 CYLINDER HEAD	PAGE NO. 3
			

PLATE NO. : 3 VALVE	PAGE NO. 5	PLATE NO. : 4 CAMSHAFT / TENSIONER	PAGE NO. 7
			

Pictorial Index



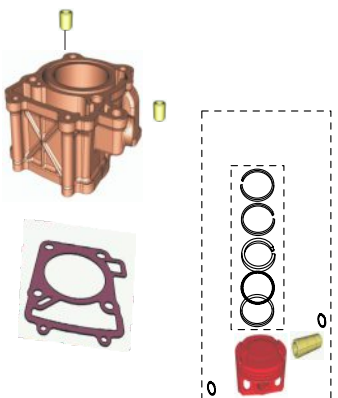
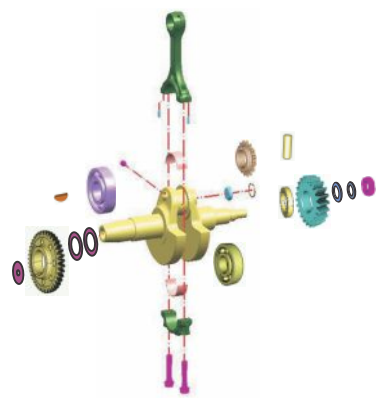

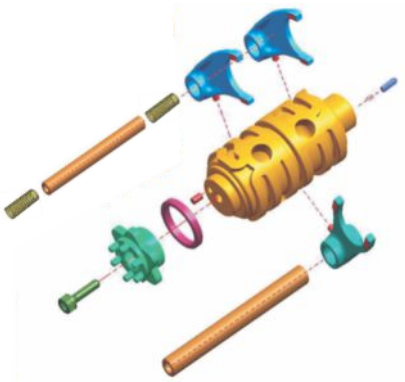
PLATE NO. : 5 CYLINDER & PISTON	PAGE NO. 9	PLATE NO. : 6 CRANKSHAFT	PAGE NO. 11
			

PLATE NO. : 7 TRANSMISSION	PAGE NO. 13	PLATE NO. : 8 CHANGE DRUM / SHIFT FORK	PAGE NO. 15
			

Pictorial Index



PLATE NO. : 9
GEAR CHANGE MECHANISM

PAGE NO.
17

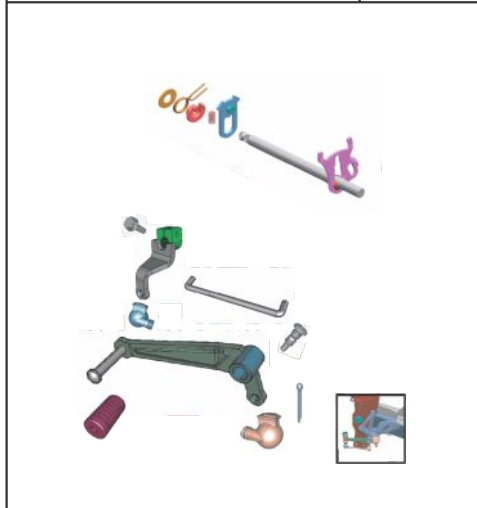


PLATE NO. : 10
ENGINE ASSLY & CRANKCASE RH

PAGE NO.
19

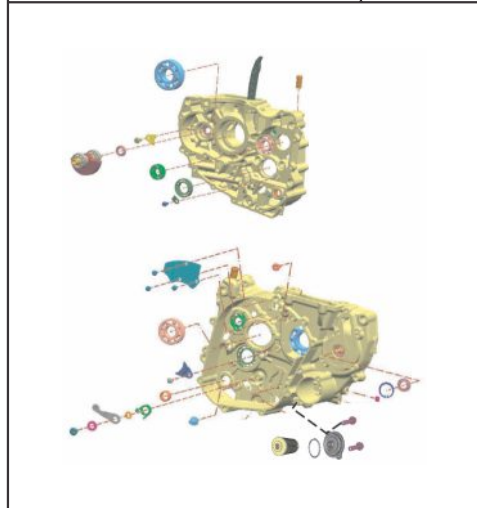


PLATE NO. : 11
CRANKCASE LH

PAGE NO.
21

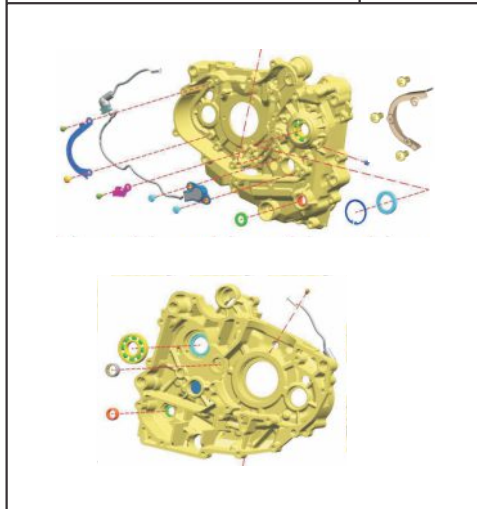
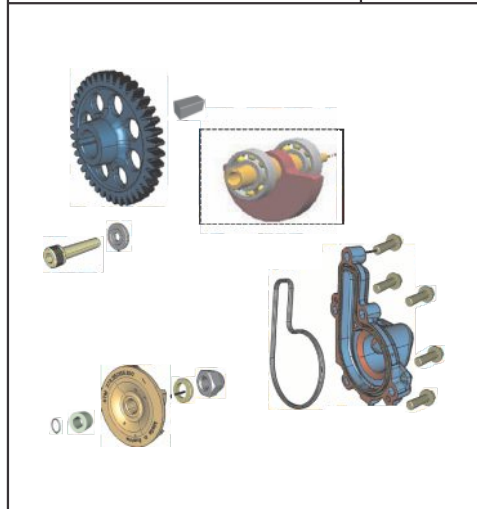


PLATE NO. : 12
BALANCER IDLER GEAR/WATER PUMP

PAGE NO.
23



Pictorial Index



PLATE NO. : 13
OIL PUMP

PAGE NO.
25

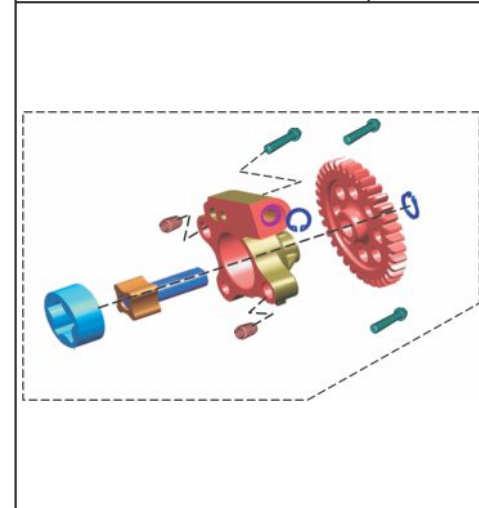


PLATE NO. : 14
RADIATOR

PAGE NO.
27

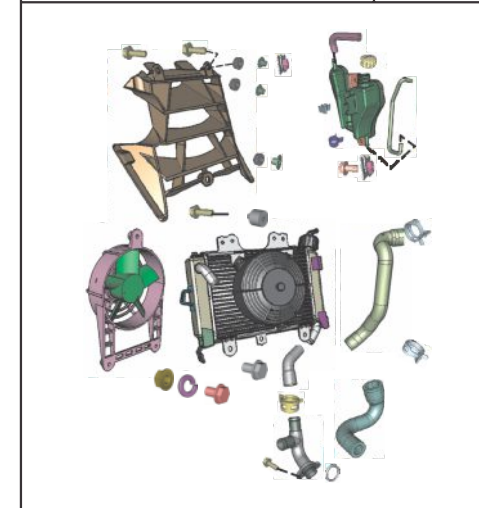


PLATE NO. : 15
COVER CLUTCH

PAGE NO.
29

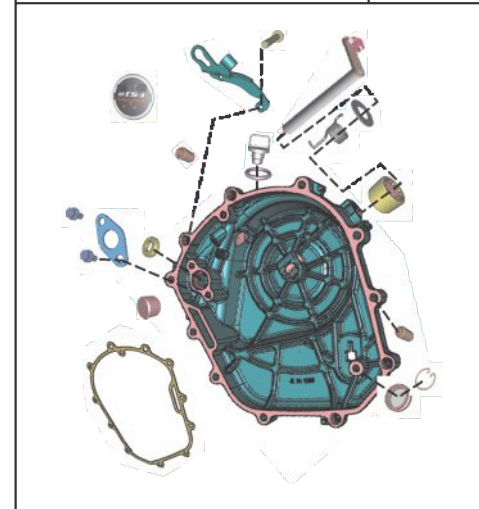
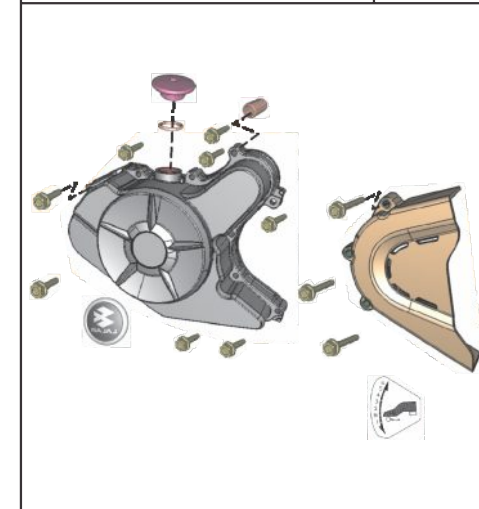


PLATE NO. : 16
COVER MAGNETO

PAGE NO.
31



Pictorial Index



PLATE NO. : 17 CLUTCH ASSEMBLY	PAGE NO. 33

PLATE NO. : 18 CARBURETTOR	PAGE NO. 35

PLATE NO. : 19 AIR CLEANER COMPLETE	PAGE NO. 37

PLATE NO. : 20 SILENCER ASSEMBLY	PAGE NO. 39

Pictorial Index



PLATE NO. : 21 STARTER ASSEMBLY	PAGE NO. 41

PLATE NO. : 22 MAGNETO, CDI & H.T. COIL	PAGE NO. 43

PLATE NO. : 23 SEAT ASSEMBLY / SEAT LOCK	PAGE NO. 45

PLATE NO. : 24 ENGINE MOUNTINGS	PAGE NO. 47

Pictorial Index



PLATE NO. : 25 FRAME & FITTINGS	PAGE NO. 49
------------------------------------	----------------

PLATE NO. : 26 SWING ARM/REAR SHOCK ABSORBER	PAGE NO. 51
---	----------------

PLATE NO. : 27 PILLION FOOT REST / HOLDER	PAGE NO. 53
--	----------------

PLATE NO. : 28 MUD GUARD - FRONT & REAR	PAGE NO. 55
--	----------------

Pictorial Index



PLATE NO. : 29 STAND ASSEMBLY	PAGE NO. 57
----------------------------------	----------------

PLATE NO. : 30 TUBE / TYRE / RIM	PAGE NO. 59
-------------------------------------	----------------

PLATE NO. : 31 FRONT HUB	PAGE NO. 61
-----------------------------	----------------

PLATE NO. : 32 FRONT MASTER CYLINDER	PAGE NO. 63
---	----------------

Pictorial Index



PLATE NO. : 33 FRONT DISC BRAKE	PAGE NO. 65
------------------------------------	----------------

- PISTON SEAL
- DUST SEAL
- BLEEDER CAP
- PROTECTION BOOT
- INSULATOR
- CALIPER PISTON
- BLEEDER SCREW
- PAD SPRING

PLATE NO. : 34 REAR HUB	PAGE NO. 67
----------------------------	----------------

PLATE NO. : 35 REAR DISC BRAKE SYSTEM	PAGE NO. 69
--	----------------

- PISTON SEAL
- DUST SEAL
- BLEEDER CAP
- PROTECTION BOOT
- INSULATOR
- CALIPER PISTON
- BLEEDER SCREW
- PAD SPRING

PLATE NO. : 36 REAR BRAKE PEDAL	PAGE NO. 71
------------------------------------	----------------

Pictorial Index



PLATE NO. : 37 HANDLE BAR ASSEMBLY	PAGE NO. 73
---------------------------------------	----------------

PLATE NO. : 38 FRONT FORK	PAGE NO. 75, 77
------------------------------	--------------------

PLATE NO. : 39 PAINTED PARTS & DECALS	PAGE NO. 79, 81
--	--------------------

PLATE NO. : 40 RADIATOR COVERS	PAGE NO. 83
-----------------------------------	----------------

Pictorial Index



PLATE NO. : 41
PETROL TANK, CAP TANK &
GAUGE FUEL

PAGE NO.
85



PLATE NO. : 42
FITTING PETROL TANK COVER,
SIDE COVERS & SEAT COVER

PAGE NO.
87



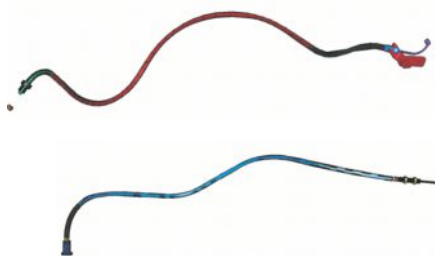
PLATE NO. : 43
METER ASSEMBLY

PAGE NO.
89



PLATE NO. : 44
CONTROL CABLES

PAGE NO.
91



Pictorial Index



PLATE NO. : 45
CHAIN CASE

PAGE NO.
93



PLATE NO. : 46
HEAD LAMP & FAIRING

PAGE NO.
96

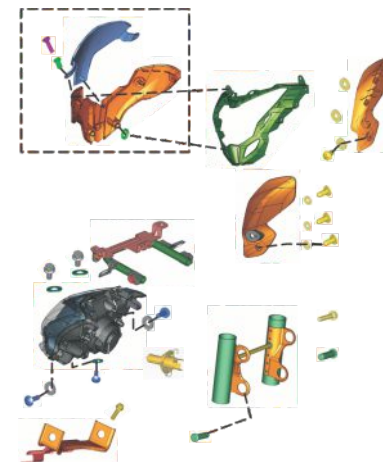


PLATE NO. : 47
INDICATOR LIGHT ASSEMBLY

PAGE NO.
97

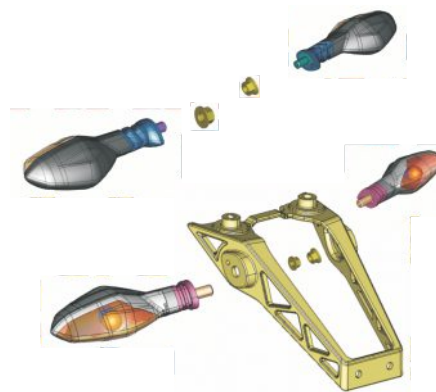


PLATE NO. : 48
TAIL STOP ASSEMBLY / FRONT
NUMBER PLATE

PAGE NO.
99



Pictorial Index



PLATE NO. : 49
ELECTRICAL EQUIPMENTS

PAGE NO.
101

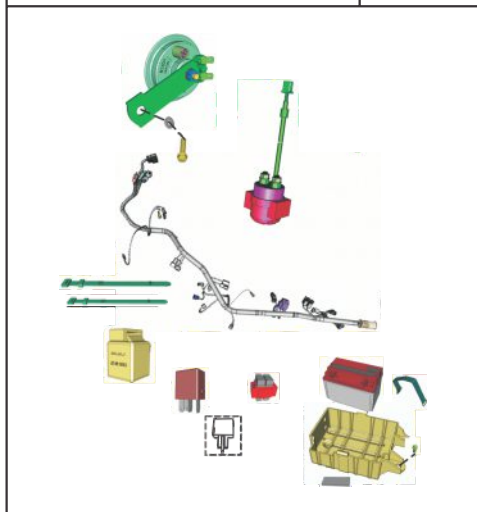


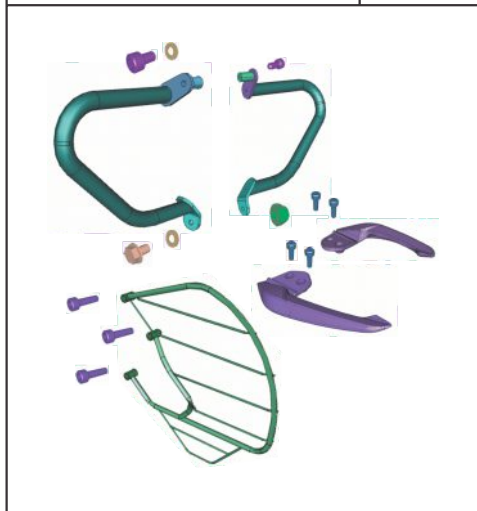
PLATE NO. : 50
TOOL KIT

PAGE NO.
103

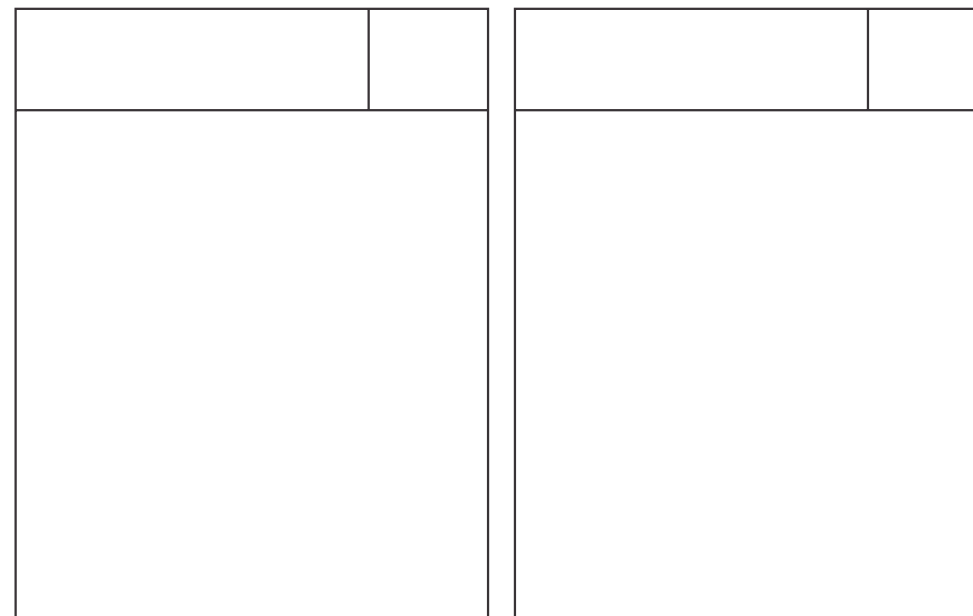
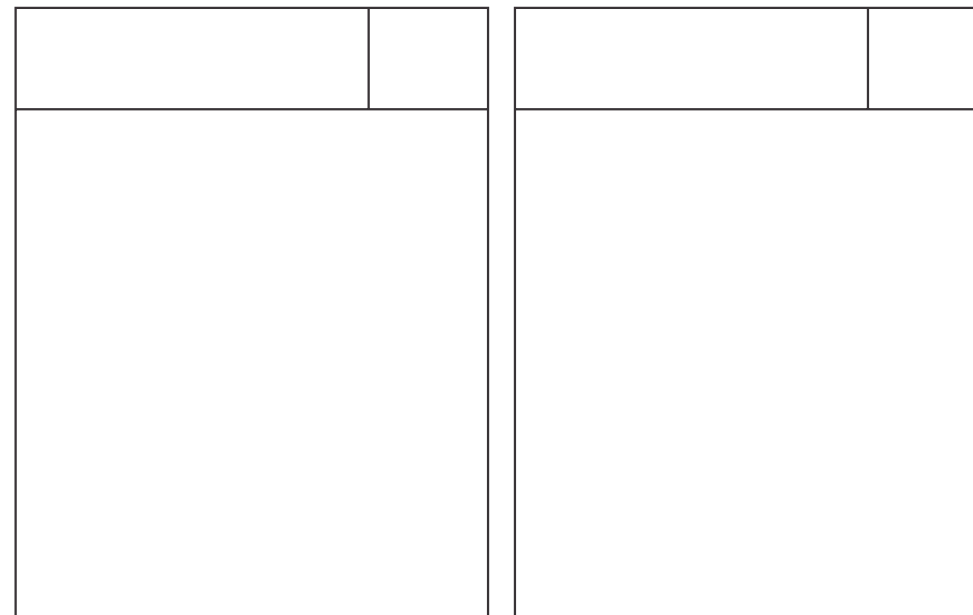


PLATE NO. : 51
ACCESSORIES / GRAB HANDLE

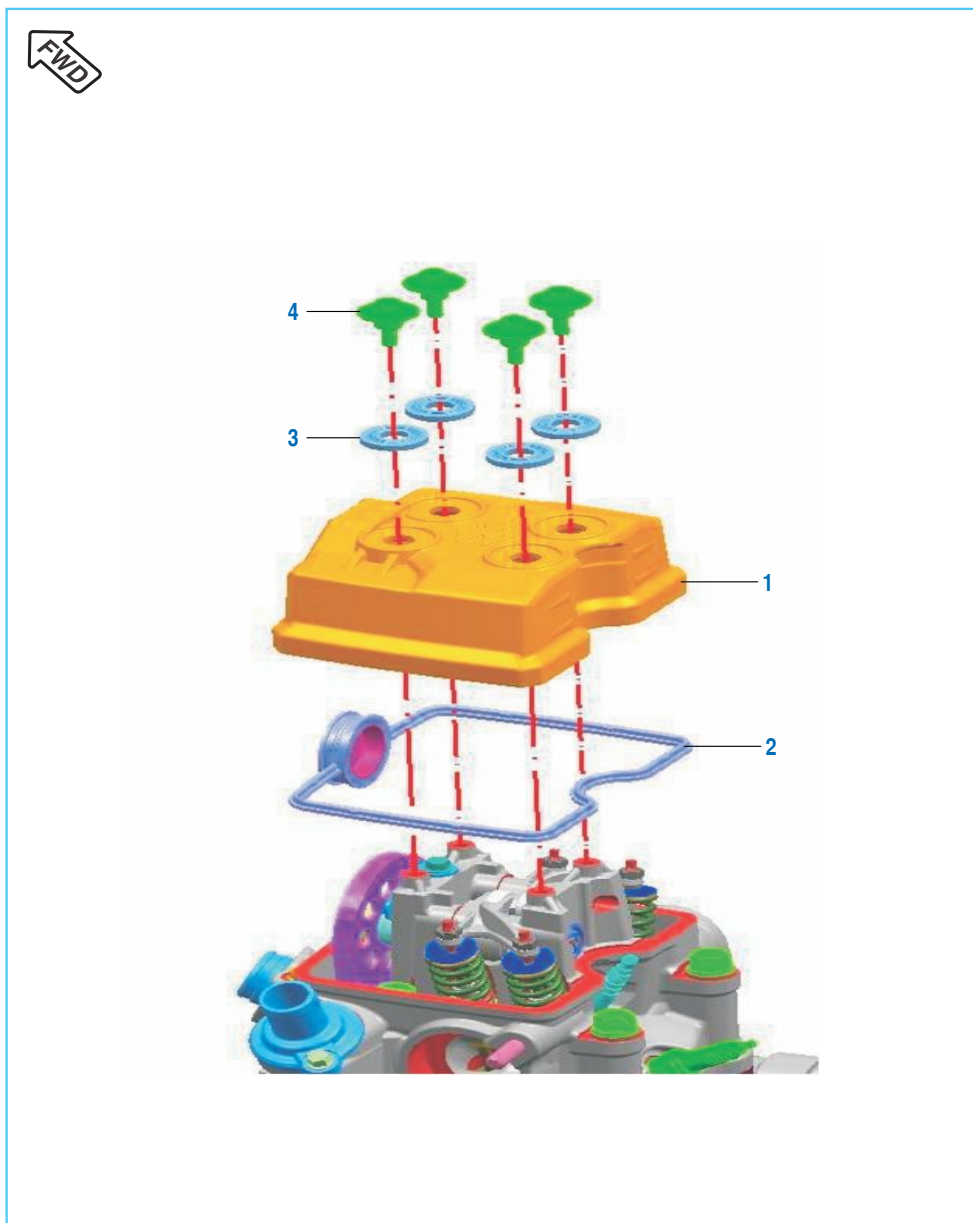
PAGE NO.
105



Pictorial Index

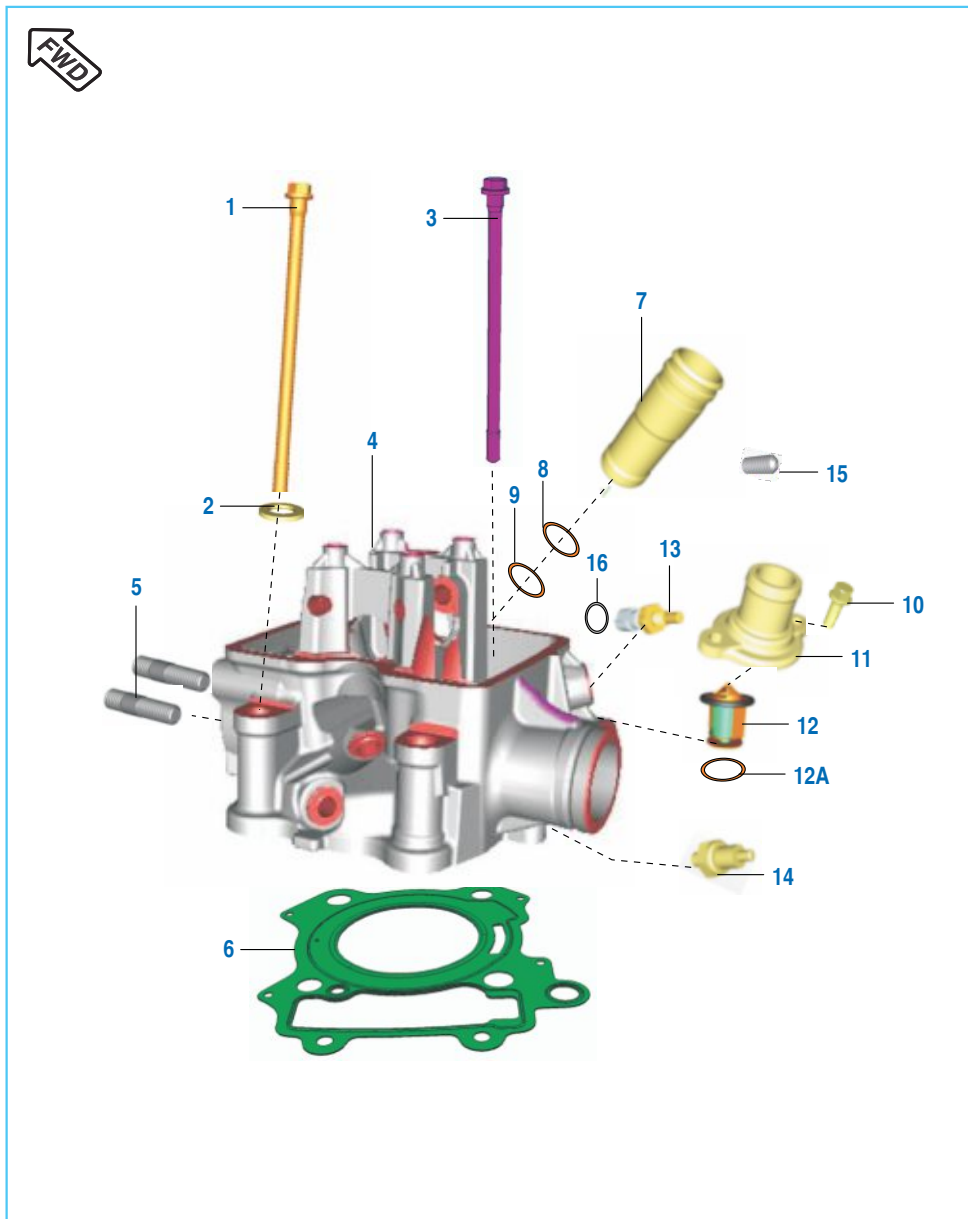


Cover Cylinder Head



No.	Part No.	Description	Qty.	Remarks
1	JL 5110 02	Cover Cylinder Head	1	
2	JL 5110 01	Gasket Head Cover(Rubber)	1	
3	JG 5110 21	Washer	4	
4	JG 5110 22	Bolt Special	4	

Cylinder Head



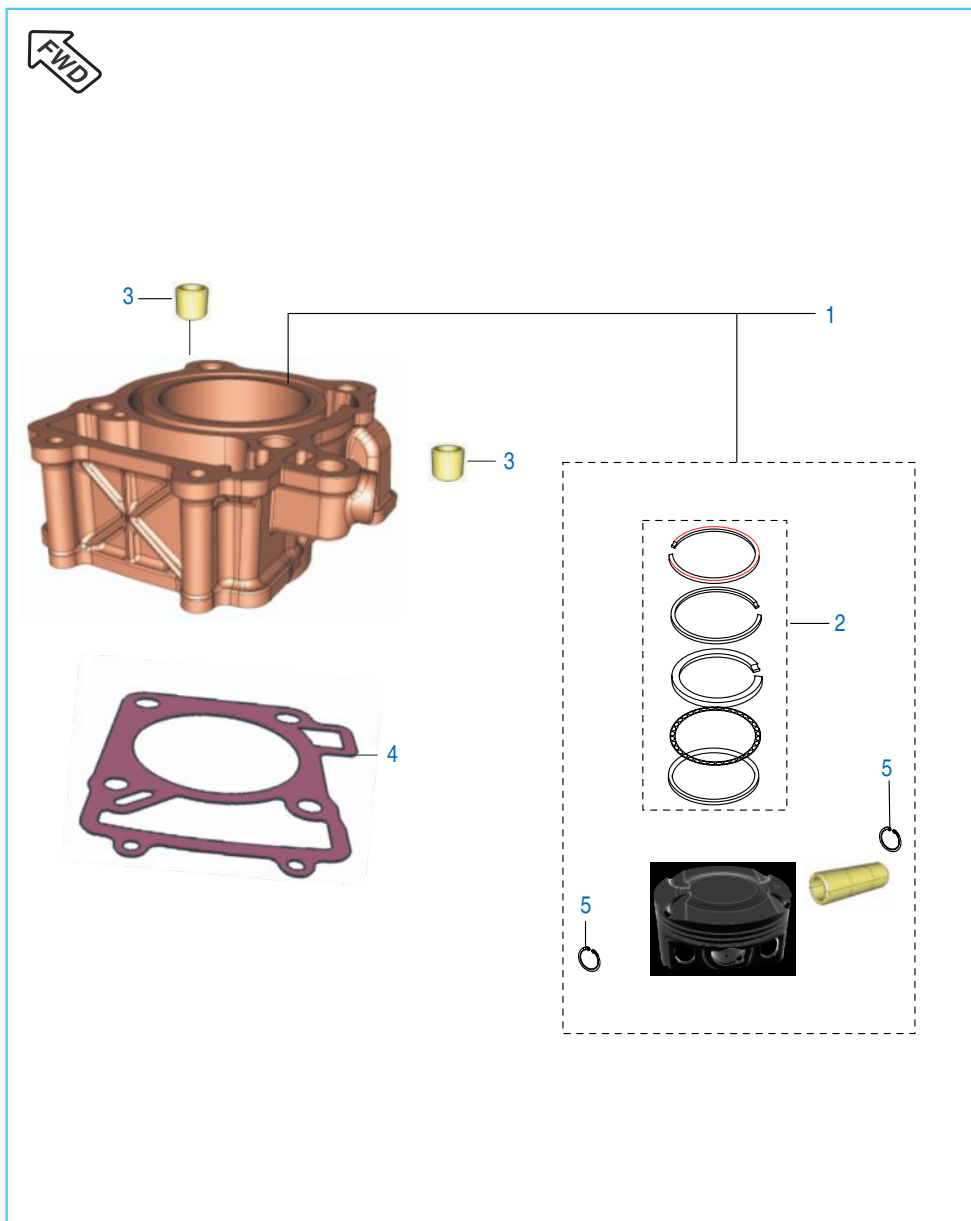
No.	Part No.	Description	Qty.	Remarks
1	JG 5410 68	Hex Flange Head Bolt M10	4	
2	LD A000 08	Washer 11.2*20*2T	4	
3	JL 5110 09	M6 Stud Bolt	2	
4	36 JL00 10	Kit Asly Cylinder Head	1	Refer Page No. 108
5	JG 5110 46	Stud (M8*1.25)	2	
6	JL 5110 22	Gasket Cylinder Head	1	
7	JL 5112 19	Sleeve Spark Plug	1	
8	39 2629 21	'O' Ring Sleeve	1	Top side
9	39 1283 21	'O' Ring Sleeve	1	Bottom side
10	39 1673 04	Bolt - Flange M6	2	
11	JL 5110 29	Cover Thermostat	1	
12	JL 6012 24	Thermostat Assembly	1	
12A	JL 6012 25	Seal Thermostat	1	
13	JG 3514 00	Coolant Water Temp Sensor	1	
14	DK 1012 25	Switch Oil Pressure	1	
15	39 2608 01	Grub Screw	1	
16	39 2699 20	'O' Ring Water Temp Sensor	1	

Camshaft / Tensioner



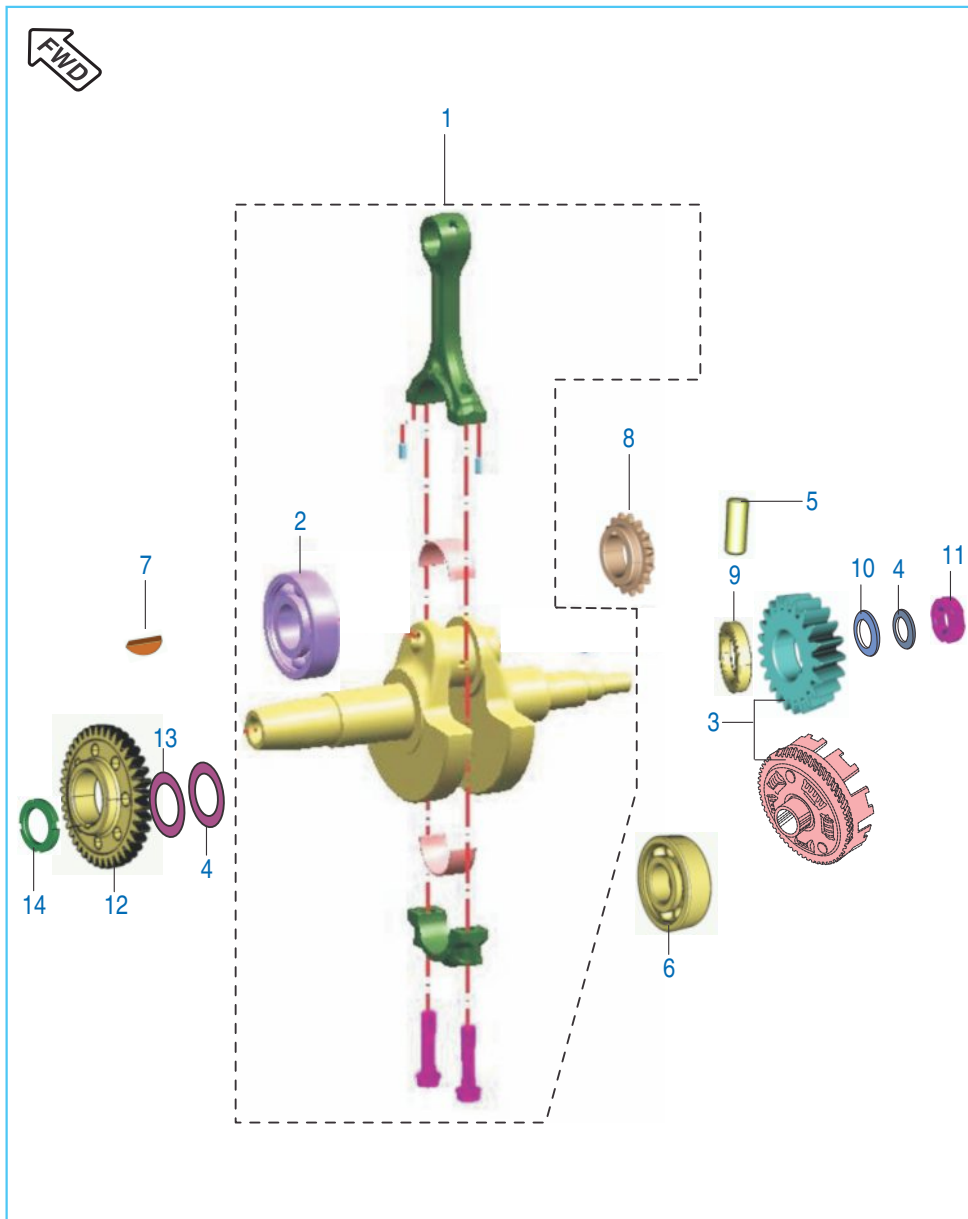
No.	Part No.	Description	Qty.	Remarks
1	JF 5112 28	Assembly Camshaft	1	
2	JG 5312 20	Bearing - Ball 6202/HN3	1	
3	AP 1012 36	Bearing - Ball 12 X 28 X 8	1	
4	LE B000 01	Circlip - Internal	1	
5	JL 5112 21	Spacer Camshaft	1	
6	JL 5112 20	Sprocket Camshaft	1	
7	DU 1012 25	Bolt Special Flanged (Camshaft)	1	
	JG 5112 69	Bolt Special Flanged	1	Refer Serv. Cir. D-62
8	JL 5112 22	Timing Chain	1	
9	JC 1010 34	Tensioner Assembly	1	
10	39 2669 21	Ring - O (Tensioner Bolt)	1	N.I.
11	KA DQ06 20	Bolt Hexagonal	2	
12	CS 1011 28	Gasket	1	
13	JG 5112 70	Bolt Flanged M6X1X6L-Special	1	
14	DH 1013 92	Chain Guide Pivot Bolt	1	
15	36 JL00 01	Kit Cam Chain Guide	1	Refer Page No. 108

Cylinder and Piston



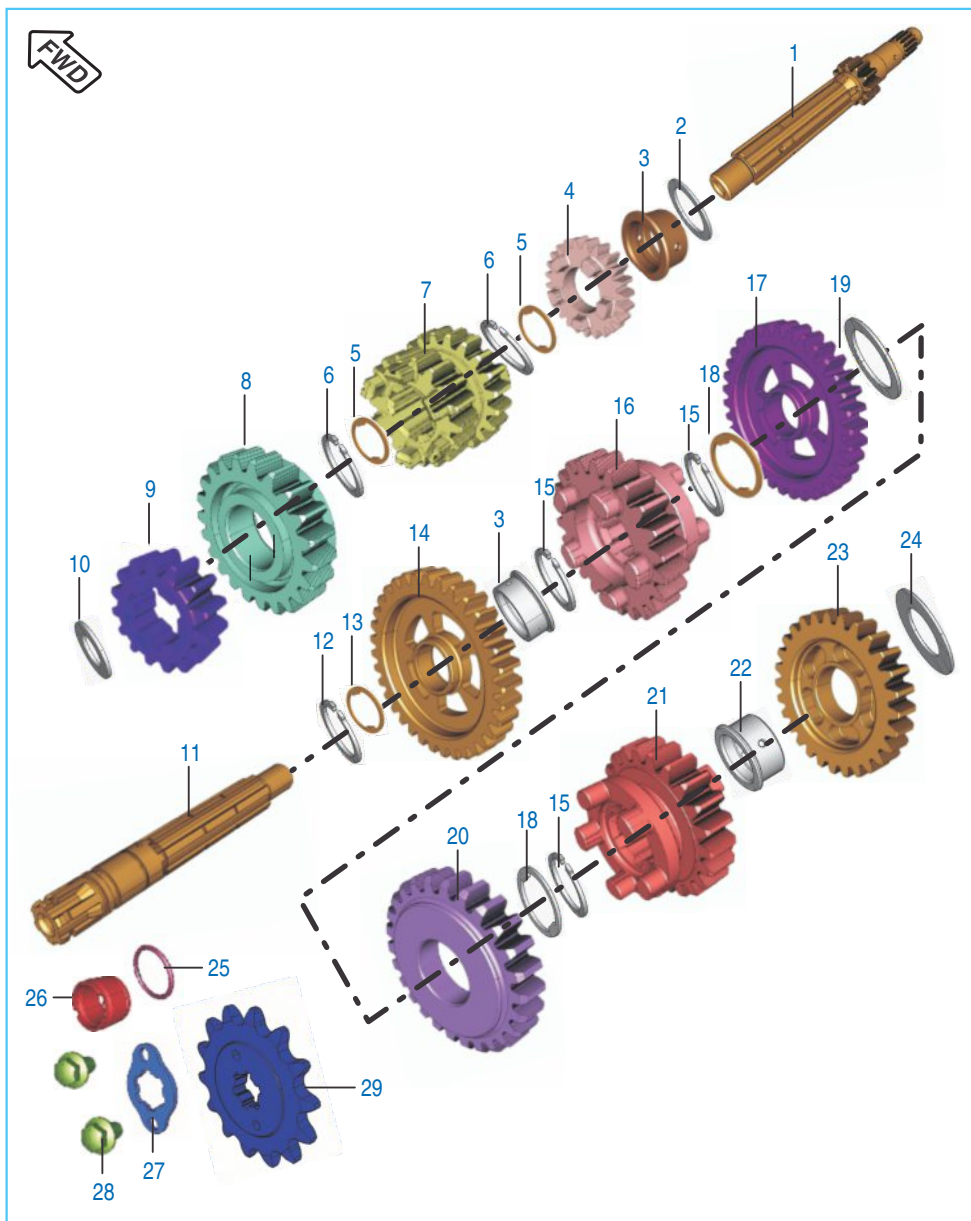
No.	Part No.	Description	Qty.	Remarks
1	36 JL00 07	Kit Asly Block Piston	1	Refer Page No. 108
2	36 JU00 01	Kit Piston Ring	1	Refer Page No. 108
3	39 2181 06	Pin - Hollow Dowel 14 X 20	2	
4	JL 5210 02	Gasket Cylinder Block	1	
5	39 2132 17	Ring - Snap	2	

Crankshaft



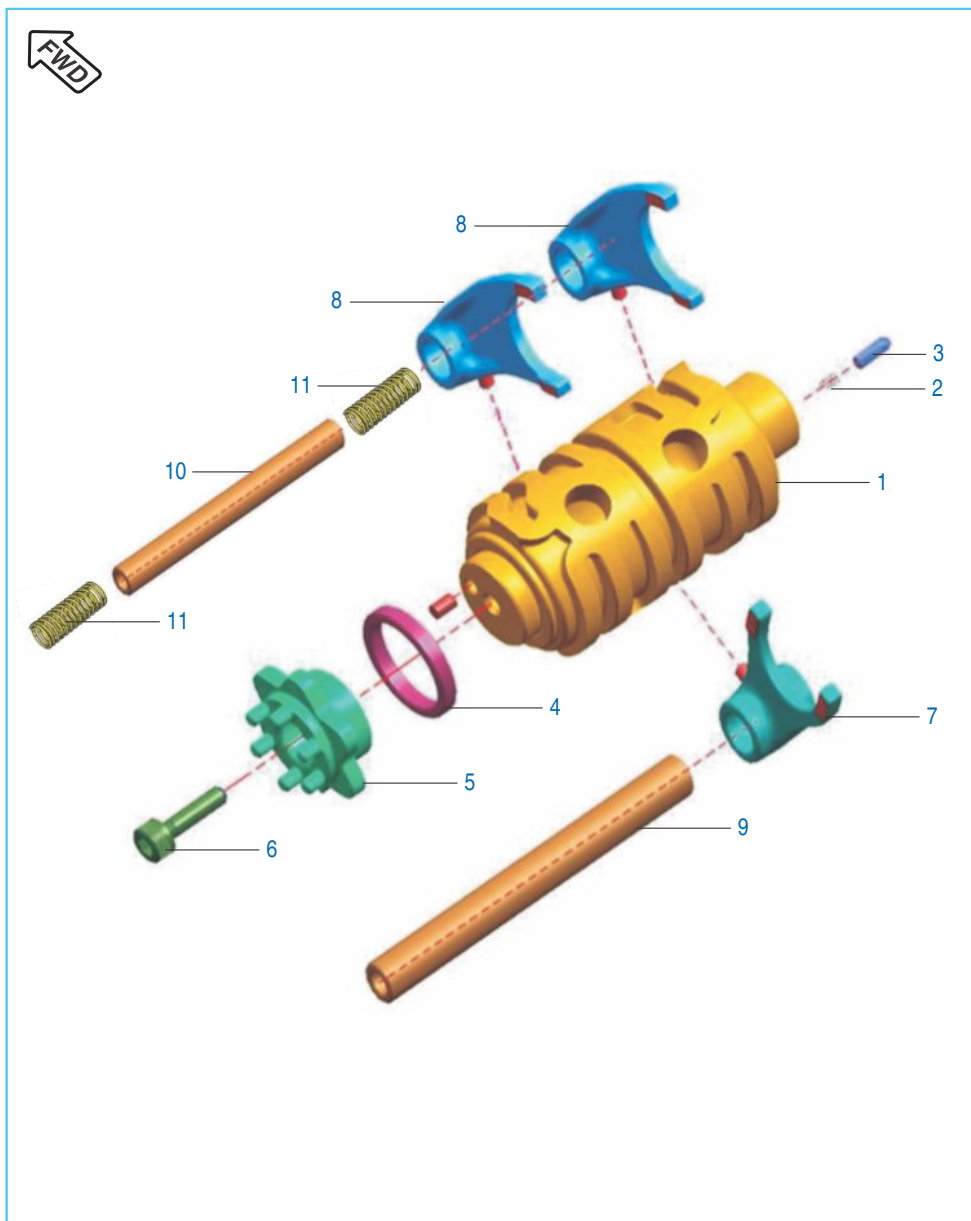
No.	Part No.	Description	Qty.	Remarks
1	JU 5310 27	Crankshaft Assembly Comp	1	
2	39 1931 20	Bearing - Ball 28 X 68 X 18	1	
3	36 JL00 05	Kit Set Primary Drive & Driven Gear	1	Refer Page No. 107
4	39 2165 11	Washer - Plain	2	
	LD B000 10	Washer - Plain	2	Refer Cir. D-58
5	39 2203 07	Pin - Parallel	2	
6	39 1931 20	Ball Bearing 28 X 68 X 18	1	
7	31 1011 73	Key-Woodruff for Crankshaft Cl. Side	1	
8	JG 5310 27	Sprocket Crankshaft	1	
9	JG 5310 31	Spacer Crankshaft	1	
10	39 2200 11	Washer - Plain (Primary Drive Gear)	1	
11	LC D000 01	Nut Sprocket Drive Lock	1	
12	JG 5310 41	Balancer Drive Gear	1	
13	JG 5310 39	Belleville Washer	1	
14	JG 5310 40	Nut Balancer Drive Lock	1	

Transmission



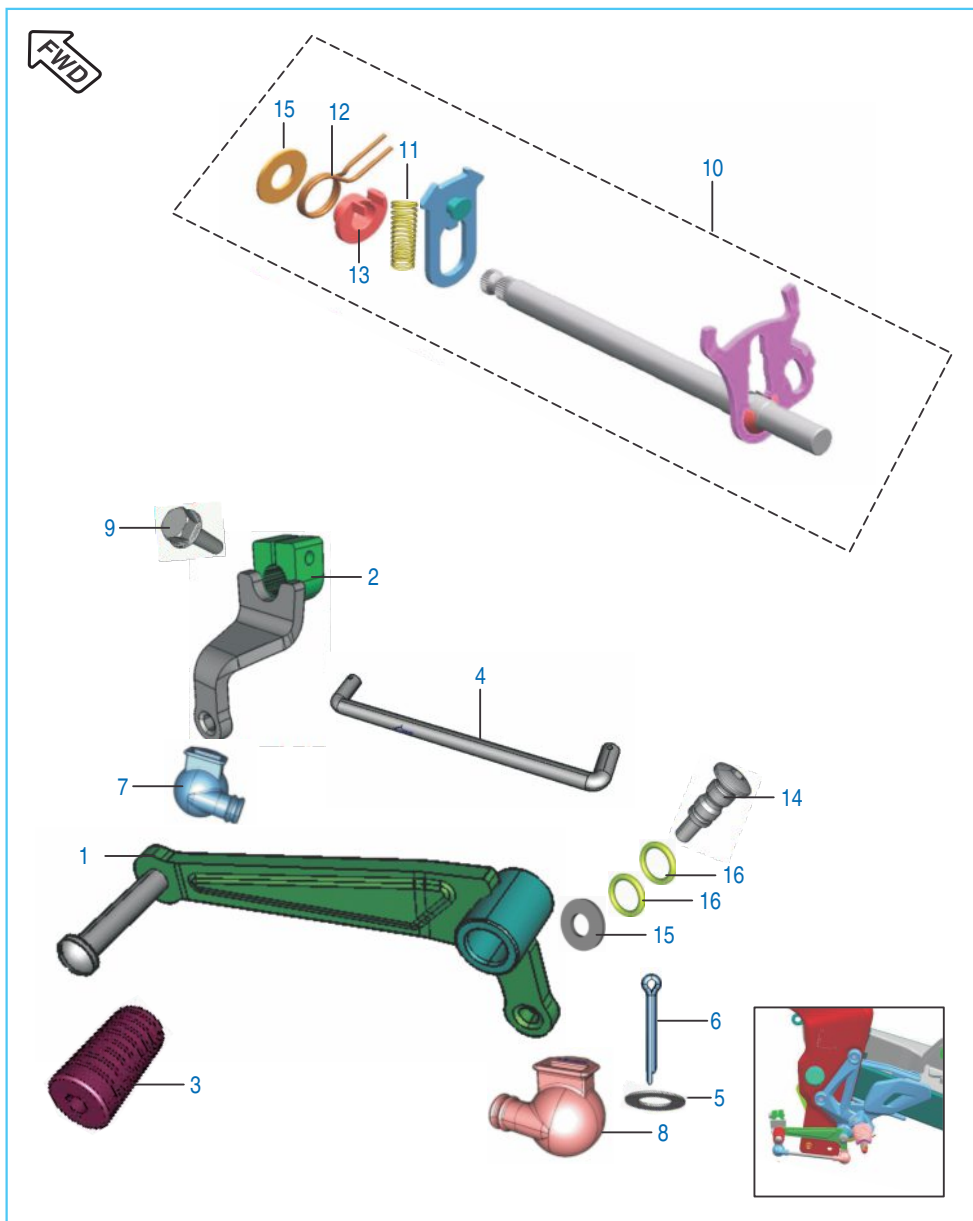
No.	Part No.	Description	Qty.	Remarks
1	JG 5510 27	Shaft Input T/M Comp	1	
2	39 2158 11	Washer - Plain	1	
3	JG 5510 13	Bush 6th Drive / Bush 2nd Driven	1	
4	JG 5512 13	Gear 6th Drive	1	
5	JG 5510 20	Washer Splined	2	
6	BF 5510 37	Ring - Snap	2	
7	JG 5512 14	Gear Drive Multiple 3&4	1	
8	JG 5512 20	Gear 5th Drive	1	
9	JG 5512 27	Gear 2nd Drive	1	
10	JG 5510 22	Washer - Plain	1	
11	JG 5510 25	Output Shaft Assy With Plug	1	
12	DH 1012 35	Circlip	1	
13	DH 1013 36	Washer Special	1	
14	JG 5512 28	Gear 2nd Driven	1	
15	BF 5510 37	Ring - Snap	3	
16	JG 5512 22	Gear 5th Driven	1	
17	JG 5512 23	Gear 3rd Driven	1	
18	JG 5510 20	Spline Thrust Washer	2	
19	JG 5510 21	Lock Washer Splined Thrust	1	
20	JG 5512 15	Gear 4th Driven	1	
21	JG 5512 24	Gear 6th Driven	1	
22	JG 5510 00	Bush 1st Driven	1	
23	JG 5512 25	Gear 1st Driven	1	
24	39 2159 11	Washer - Plain	1	
25	DK 1013 52	O-Ring Sprocket Collar(17.5*1.5)	1	
26	JG 5510 10	Collar Sprocket	1	
27	JG 5510 19	Plate Drive Sprocket	1	
28	LA E000 17	Bolt Flanged M6X1X10L-Precoated	2	
29	DV 1010 48	Sprocket Output (14T)	1	

Change Drum / Shift Fork



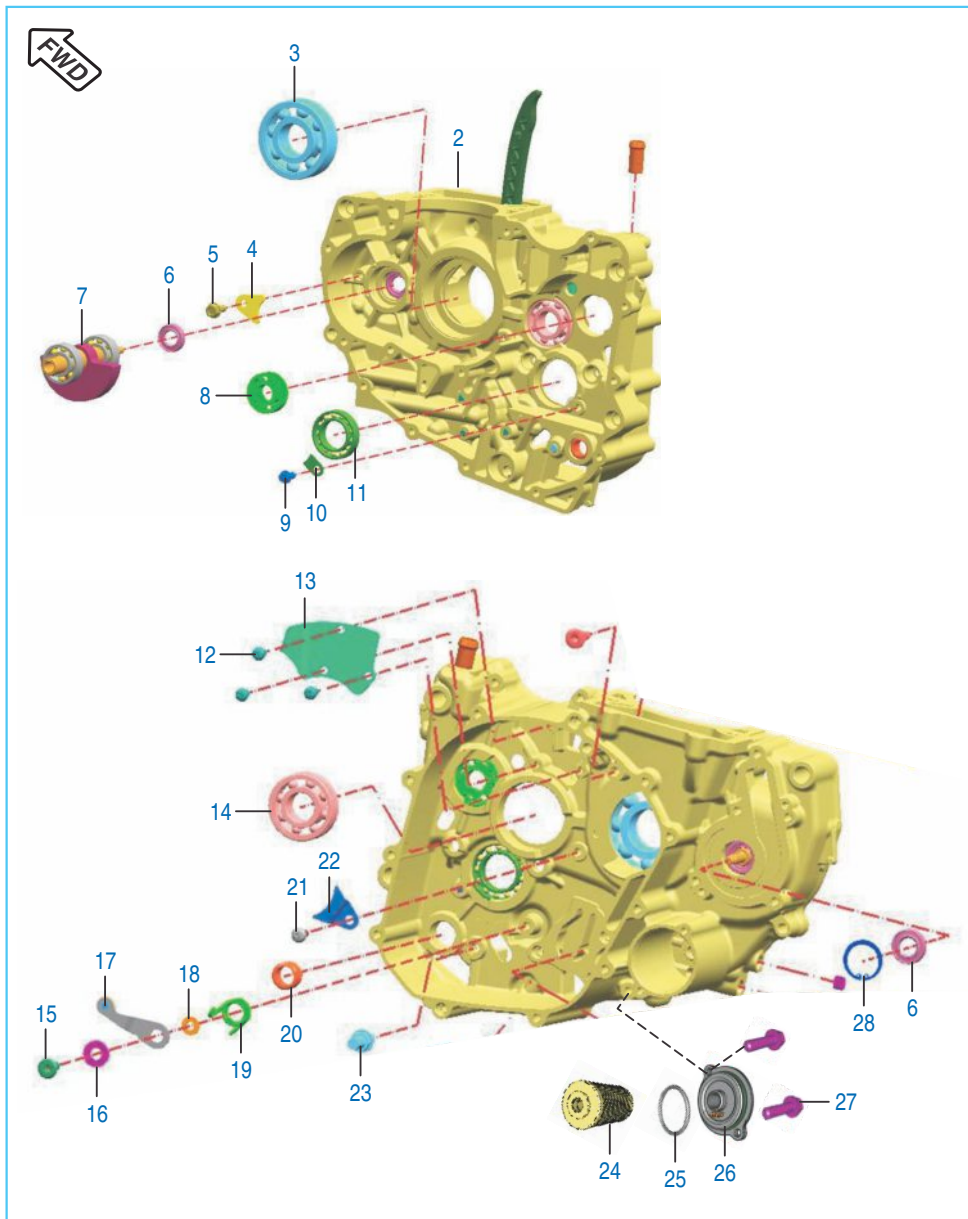
No.	Part No.	Description	Qty.	Remarks
1	JG 5610 11	Drum Complete Gear Shift	1	
2	EC 5610 23	Spring Gear Switch Indicator	1	
3	39 2606 07	Pin - Parallel	1	
4	JG 5610 10	Spacer-Guide Gear Shift	1	
5	JG 5612 22	Guide Gear Shift	1	
6	LA C000 24	Bolt Socket Head M6X1X20L	1	
7	JG 5610 12	Fork Gear Shift Input	1	
8	JG 5610 13	Fork Gear Shift Output	2	
9	JG 5610 16	Shaft Gear Shift Fork	2	
10	JG 5612 25	Shaft Gear Shift Fork Output	1	
11	JG 5612 15	Compression Spring	2	

Gear Change Mechanism



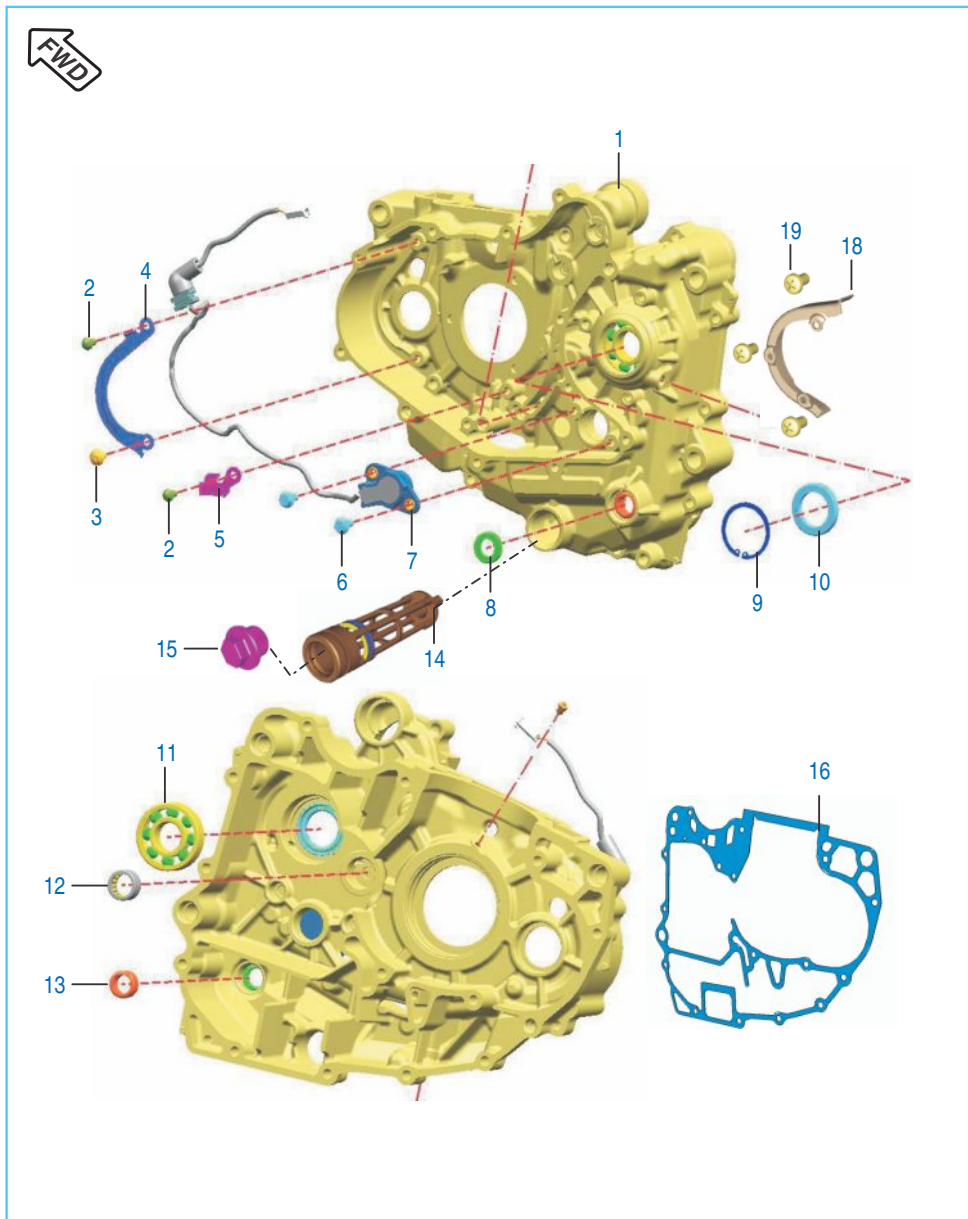
No.	Part No.	Description	Qty.	Remarks
1	JL 5614 01	Lever Complete Change	1	
2	JL 5614 04	Assembly Lever Change Arm	1	
3	DH 1015 09	Damper	1	
4	JL 5614 05	Rod Tie	1	
5	JD 5614 16	Washer - Nylon (Dia6.5Xd15X2.0)	2	
6	39 0808 08	Pin - Split	2	
7	JL 5614 07	Boot -Change Arm	1	
8	JL 5614 08	Boot -Change Lever	1	
9	39 2453 04	Bolt - Flange M6	1	
10	JG 5612 00	Lever Gear Shift Assy Comp.	1	
11	JG 5612 15	Compression Spring	1	
12	JG 5612 18	Torsion Spring	1	
13	JG 5612 17	Bush-Torsion Spring	1	
14	JL 5614 09	Bolt Gear Change Lever	1	
15	JL 5614 10	Washer - Steel	1	
16	01 1100 05	'O' Ring	2	

Engine Assembly / Crankcase RH



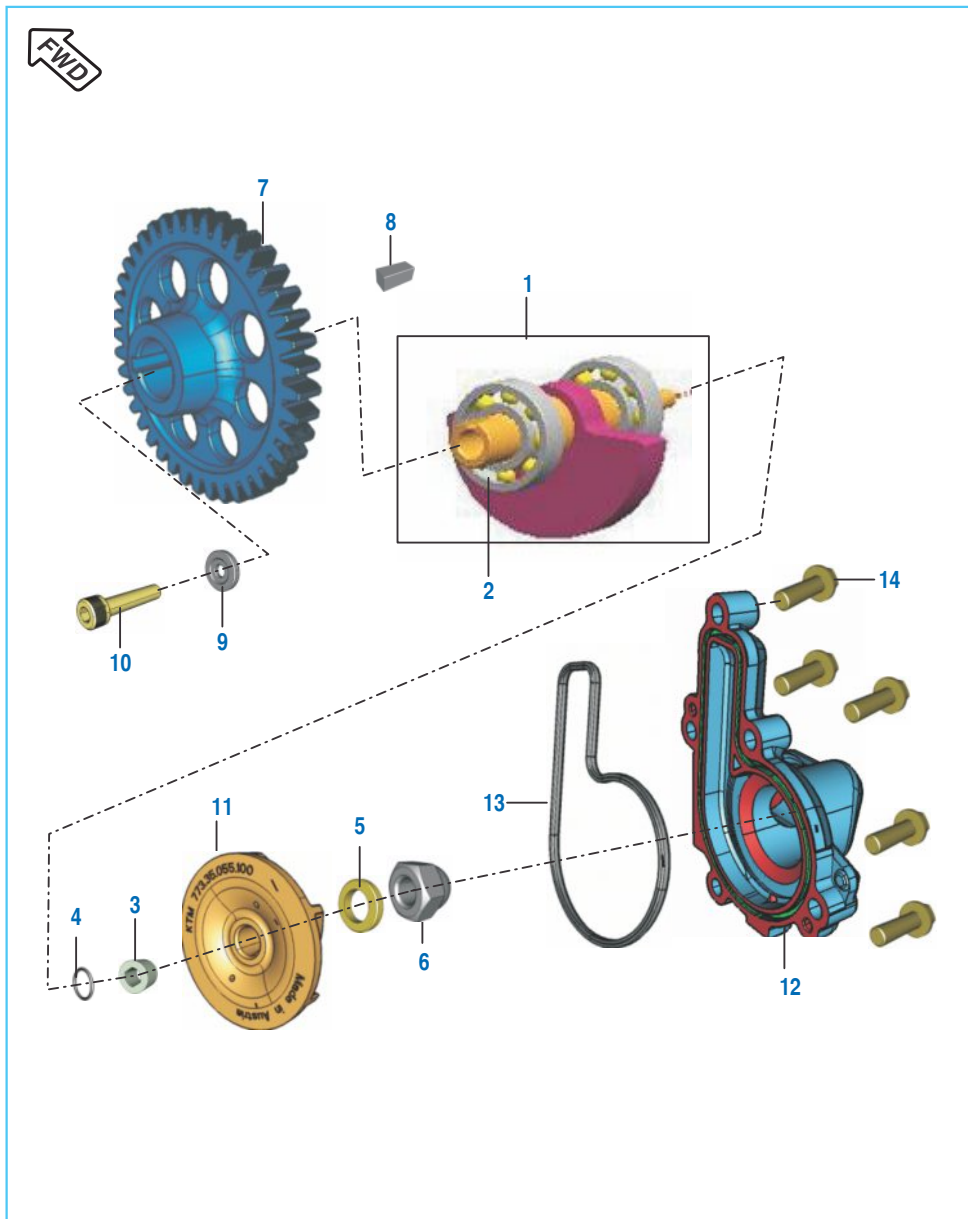
No.	Part No.	Description	Qty.	Remarks
1	JL 5010 03	Assembly Engine 200	1	N.I.
2	36 JL00 04	Kit Asly Crankcase RH	1	Refer Page No. 108
3	39 1931 20	Ball Bearing 28 X 68 X 18	1	
5	LA D000 77	Bolt Flanged M6x16	1	
4	JG 5410 46	Balancer Bearing Stopper	1	
6	JG 6010 07	Special Shaft Seal Ring (oil)	2	
7	JU 5312 15	Balancer Assy.	1	Refer Circular D-55
8	39 2602 20	Bearing - Ball 6202/HN3	1	
9	DH 1013 83	Precoated Flanged Bolt M6	1	
10	JG 5410 59	Plate Stopper Bearing Drum	1	
11	39 2601 20	Bearing - Ball 61905 (25 X 42 X 9)	1	
12	LB B000 06	Screw Pan head	3	
13	JU 5410 05	Breather Plate	1	
14	59 2000 28	Bearing Ball RH	1	
15	JG 5612 04	Bolt Drum Stopper	1	
16	JG 5612 05	Washer	1	
17	JG 5610 09	Stopper Drum Complete	1	
18	39 2005 11	Washer	1	
19	JG 5612 26	Spring	1	
20	39 2562 20	Bearing - Needle Roller 13X19X12	1	
21	39 0746 01	Screw Pan Cross - M6	1	
22	JG 5410 45	Input Shaft Bearing Stopper	1	
23	DP 1011 91	Bolt Shifter	1	
24	JG 5710 14	Oil Filter	1	
25	JG 5710 16	O-Ring	1	
26	JL 5412 21	Cap Oil Filter	1	
	JE 5412 18	Cap Oil Filter	1	Ref. Ser. Cir. D-62
27	KA DP05 16	Hexagonal Flange Bolt	2	
	LA D000 63	Bolt Flanged	2	
28	LE B000 01	Circlip Internal	1	

Crankcase LH



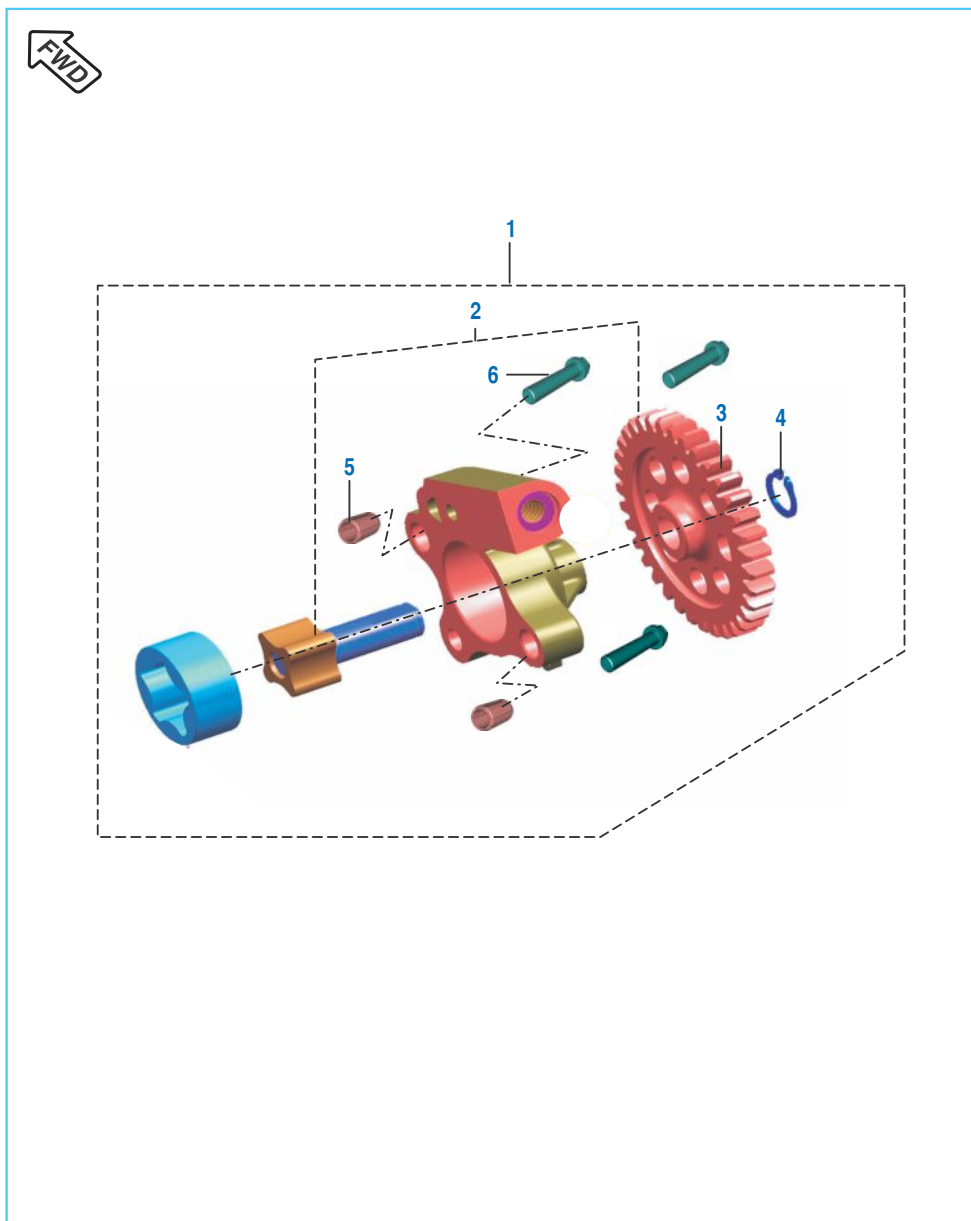
No.	Part No.	Description	Qty.	Remarks
1	36 JL00 03	Kit Assly. Crankcase LH	1	Refer Page No. 107
2	LA E000 14	Bolt Flanged	2	
3	DH 1013 81	Pre Coated pan Screw	1	
4	JG 5410 63	Bracket Harness Upper	1	
5	JG 5410 44	Bracket Harness Lower	1	
6	39 1773 04	Bolt M-5 x 16	2	
7	JL 3518 00	Neutral Indicator Switch	1	
8	39 1043 19	Seal Oil	1	Gear Change lever
9	KE BA37 15	Circlip Internal	1	Output Shaft
10	DG 1014 56	Seal Oil	1	Output Shaft
11	59 2000 06	Bearing Ball	1	Output Shaft
12	JG 5410 15	Needle Bearing	1	Drum
13	39 2562 20	Needle Bearing	1	
14	JG 5710 24	Mesh Oil Filter Assly (Strainer)	1	
14A	LJ A000 04	'O' Ring Strainer	1	
15	JA 5410 48	Strainer Cap with 'O' Ring	1	
16	JG 5410 41	Gasket Crankcase	1	
17	36 JL00 14	Kit Engine Gasket	1	Refer Page No. 107
18	JG 5410 58	Chain Guard	1	D-52 dated 11/02/2013
19	KB BG06 12	Pan Head Screw	3	D-52 dated 11/02/2013

Balancer Idler Gear / Water Pump



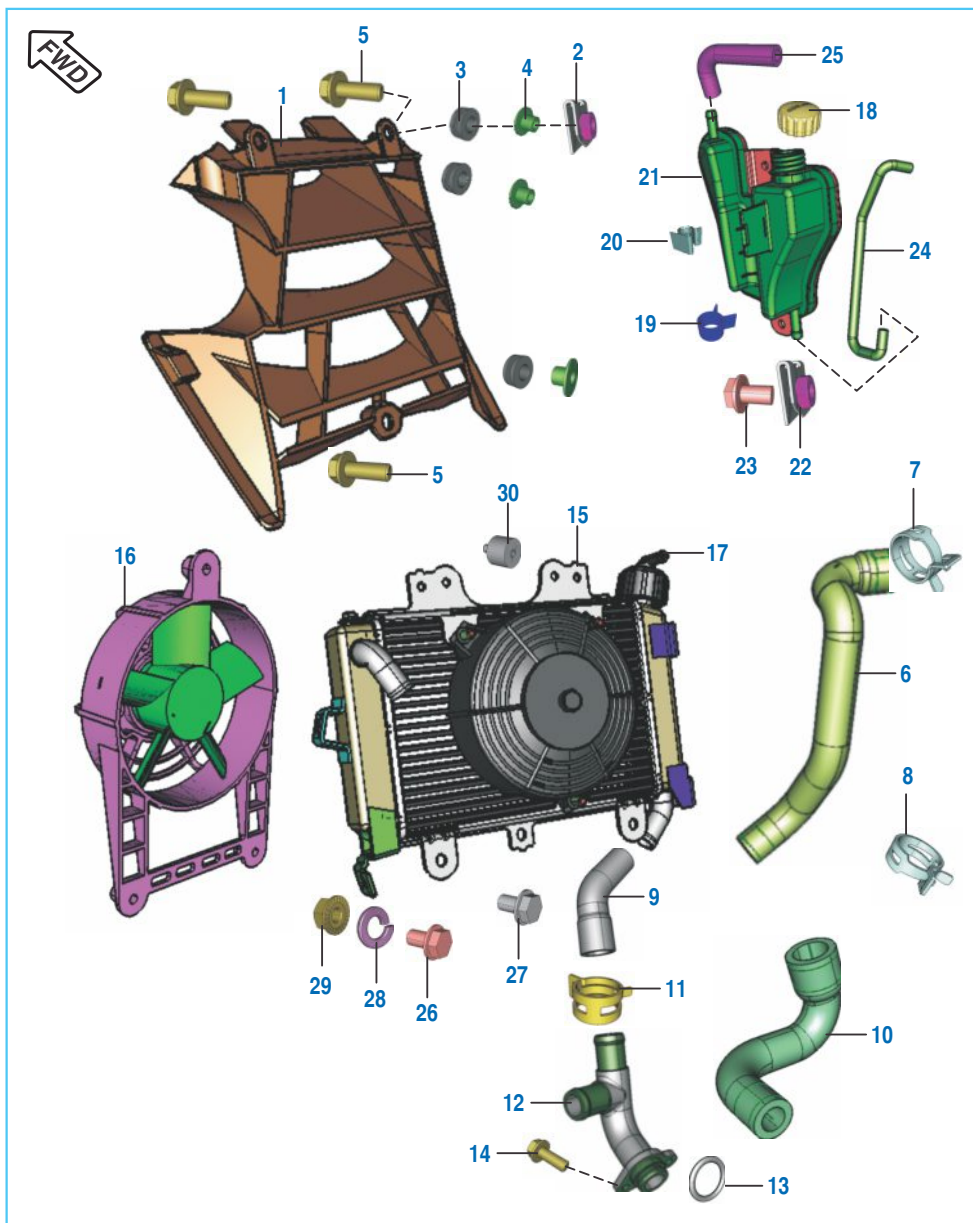
No.	Part No.	Description	Qty.	Remarks
1	JU 5312 13	Balancer Assy	1	
2	59 2000 36	Balancer Bearing (6203/HN3C3D8)	2	
3	JG 5312 11	Sleeve Balancer Driven	1	
4	JG 5312 12	O Ring Balancer Driven	1	
5	JG 5312 15	Washer (2.5MM)	1	
6	JG 6010 05	Dome Nut	1	
7	JG 5312 07	Gear Balancer Driven	1	
8	DS 1011 54	Key	1	
9	DH 1010 48	Washer - Special Camshaft	1	
10	DK 1013 86	Pre-coated Soc Hd Cap Bolt M8X40	1	
11	JG 6010 13	Water Pump Rotor	1	
12	JG 6010 11	Cover Water Pump	1	
13	JG 6010 12	O-Ring (Water Pump Cover)	1	
14	KA Dq06 20	Bolt Hexagonal	5	
15	39 1665 11	Washer - Seal	1	N.I.
16	39 2606 07	Pin - Parallel	2	N.I.

Oil Pump



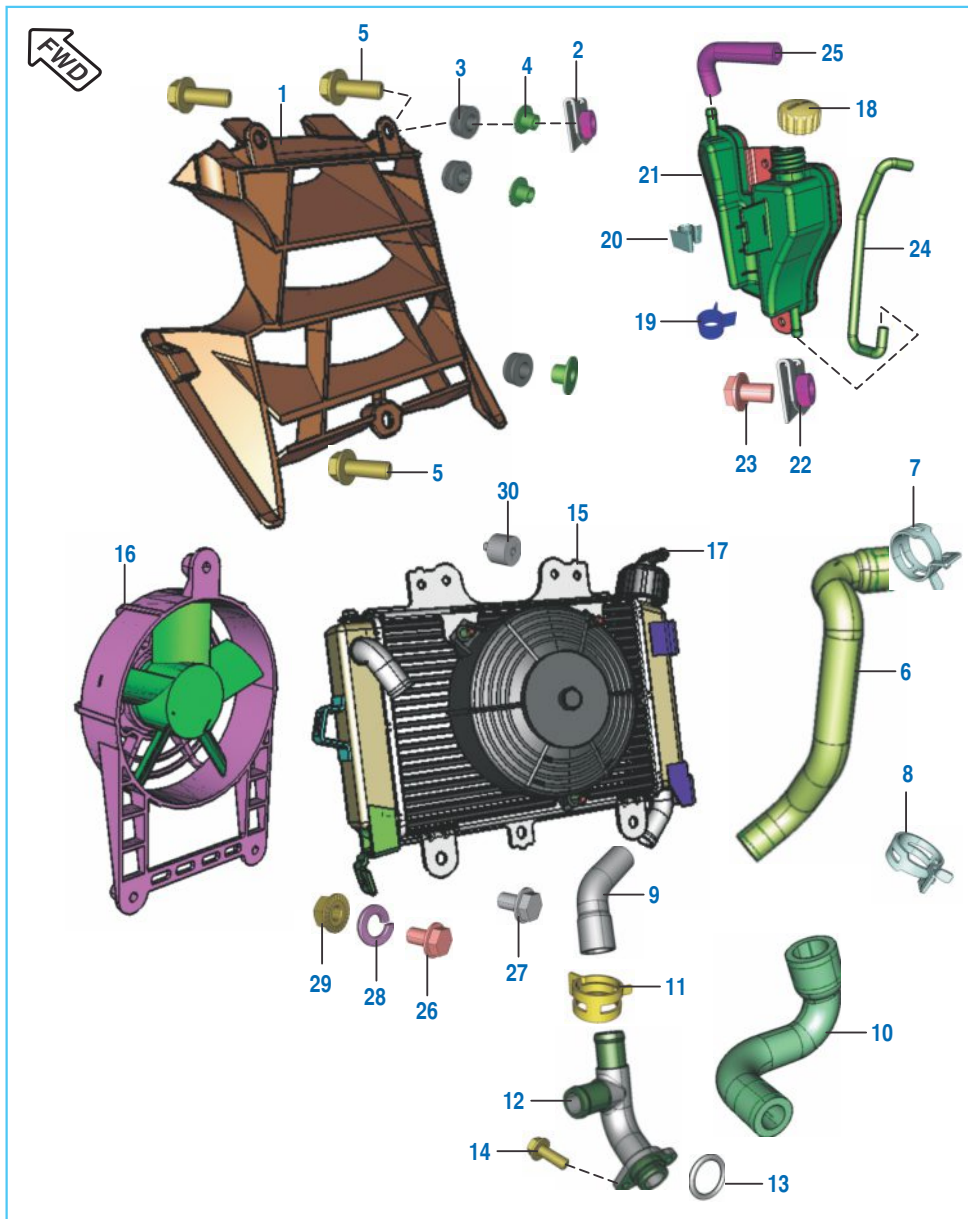
No.	Part No.	Description	Qty.	Remarks
1	JU 5710 00	Oil Pump Assy Comp	1	
2	36 JG00 04	Shaft Oil Pump Assy	1	
3	JG 5710 18	Gear Oil Pump Drive	1	
4	KE AA11 10	Circlip	1	
5	39 0999 06	Pin - Hollow Dowel	2	
6	LA E000 18	Bolt Flanged M6X1X30L-Precoated	3	

Radiator



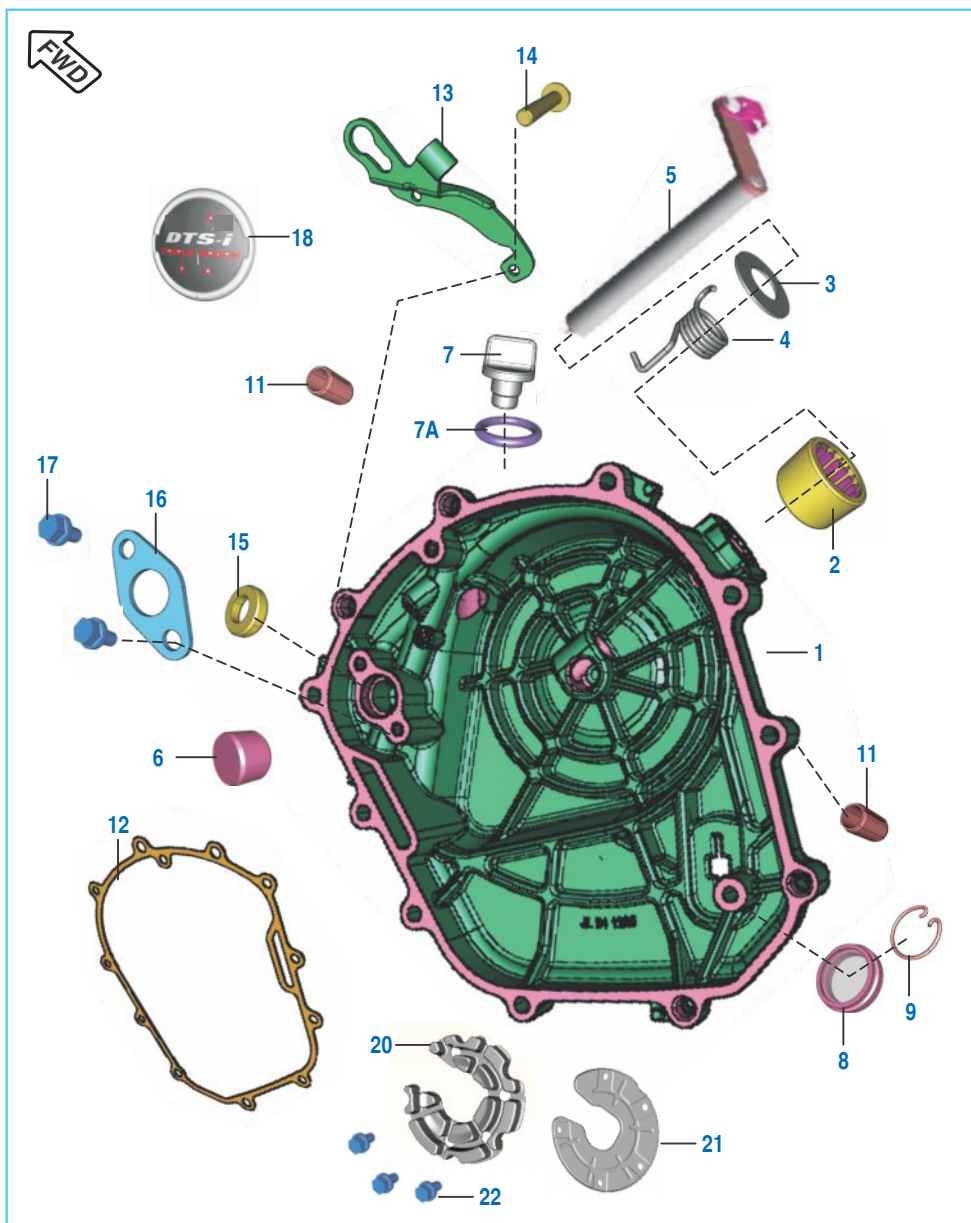
No.	Part No.	Description	Qty.	Remarks
1	JL 6012 10	Cowl Radiator	1	
2	DJ 1810 65	Nut - Clip M6	3	
3	JL 1812 56	Grommet For Radiator Cowl	3	
4	JW 1710 15	Collar Spoiler Central	3	
	JL 6012 31	Sleeve	3	Refer Cir. D-58
5	KA DA06 16	Bolt-Flange Dia-06 L-12	3	Alt. 39194404
6	JL 6010 00	Hose Thermostat To Radiator	1	
7	JG 6012 21	Clamp Radiator Pipe	1	
8	JG 6012 09	Clamp Radiator Pipe Dia 19.8	2	
	JG 6012 34	Clamp Dia 23	2	Ref Ser. Cir. D-62
9	JL 6012 20	Coolant Hose Radiator To T	1	
	JL 6012 09	Coolant Hose Radiator To T	1	
	JL 6012 04	Coolant Hose Radiator To T	1	From 26.12.2012
10	JL 6012 19	Hose By Pass To Pump	1	
	JL 6010 01	Hose By Pass To Pump	1	From 26.12.2012
11	JL 6012 12	Clamp Radiator Dia 19	1	
	JL 6012 21	Clamp Dia 29	2	From 26.12.2012
12	JL 6012 08	Coolant Pipe T Assembly	1	
	JL 6012 28	Coolant Pipe T Assembly	1	From 26.12.2012
13	JG 6012 21	O-Ring Coolant Pipe	1	
14	39 2204 04	Bolt - Hexagon Head With Flange M6	2	
	LA D000 82	Bolt Flanged	2	Ref Ser. Cir. D-62
15	JL 6012 00	Radiator	1	
16	JG 6014 00	Radiator Fan	1	
17	JG 6012 29	Pressure Cap Radiator	1	
	JG 6012 35	Pressure Cap Radiator	1	D-53 dated 19/02/2013

Radiator



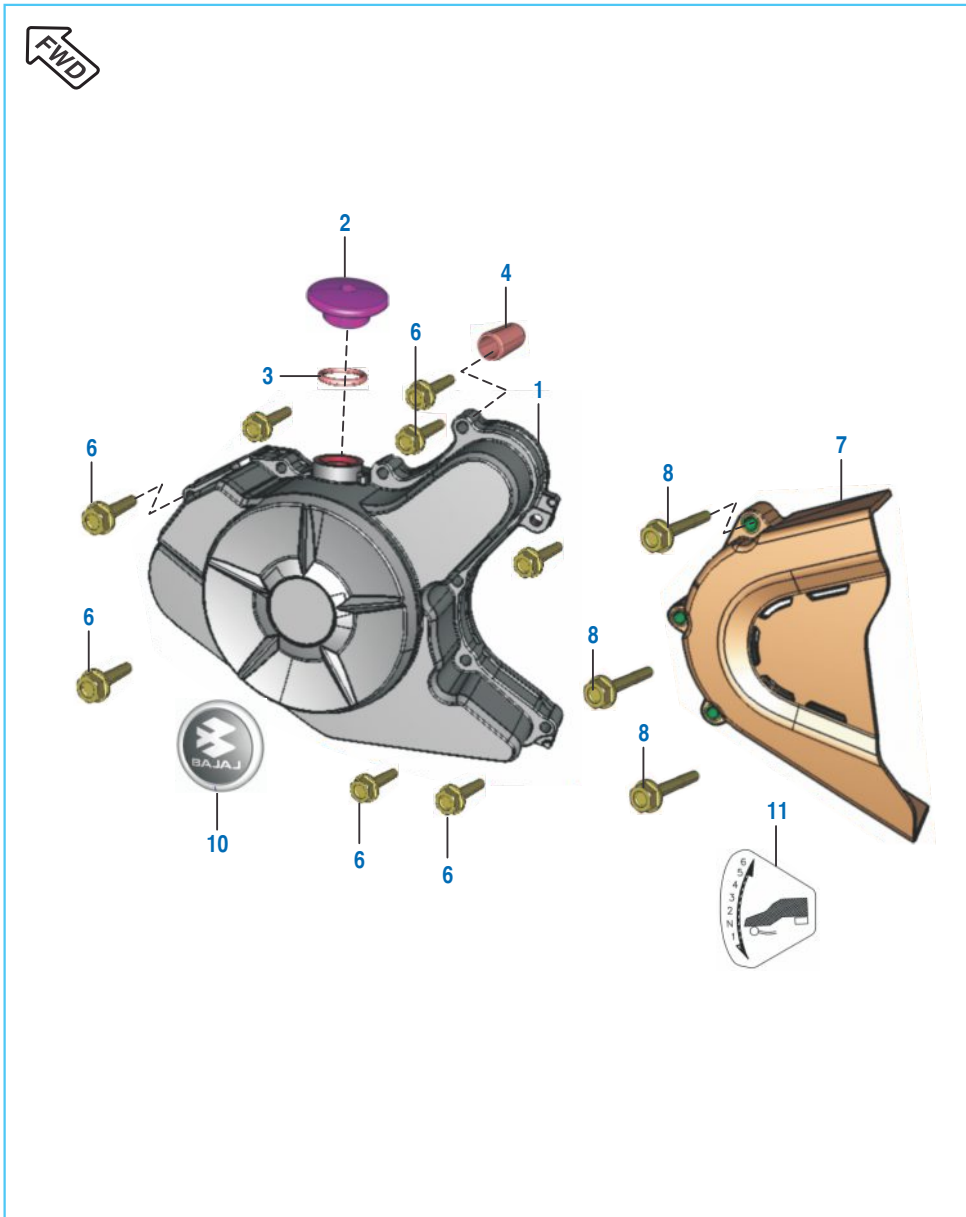
No.	Part No.	Description	Qty.	Remarks
18	JG 6012 11	Cap Expansion Tank	1	
19	JL 6012 15	Clamp -Expansion Tank	2	
20	JG 1710 29	Spring Band Clip 10 Mm	3	
21	JL 6012 09	Tank Expansion	1	
	JL 6012 35	Assly Tank Expansion	1	Refer Ser Cir - 2014_04
22	DJ 1810 65	Nut - Clip M6	2	
23	39 1944 04	Bolt - Flanged	2	
24	JL 6012 13	Hose -Expansion Tank	1	
	JL 6012 27	Hose -Expansion Tank	1	D-53 dated 19/02/2013
	JG 6012 13	Tube Drain Hose -Expansion Tank	1	Refer Ser Cir - 2014_04
25	JL 6012 14	Hose -Expansion Tank Top	1	
26	LA D000 40	Bolt Flanged M6 - 6L	3	
27	39 1551 04	Bolt - Flange	1	
28	39 0732 12	Washer - Spring	4	
29	39 2711 15	Nut - Flange M6 X 1P	4	
30	JG 5810 14	Silent Block	4	

Cover Clutch



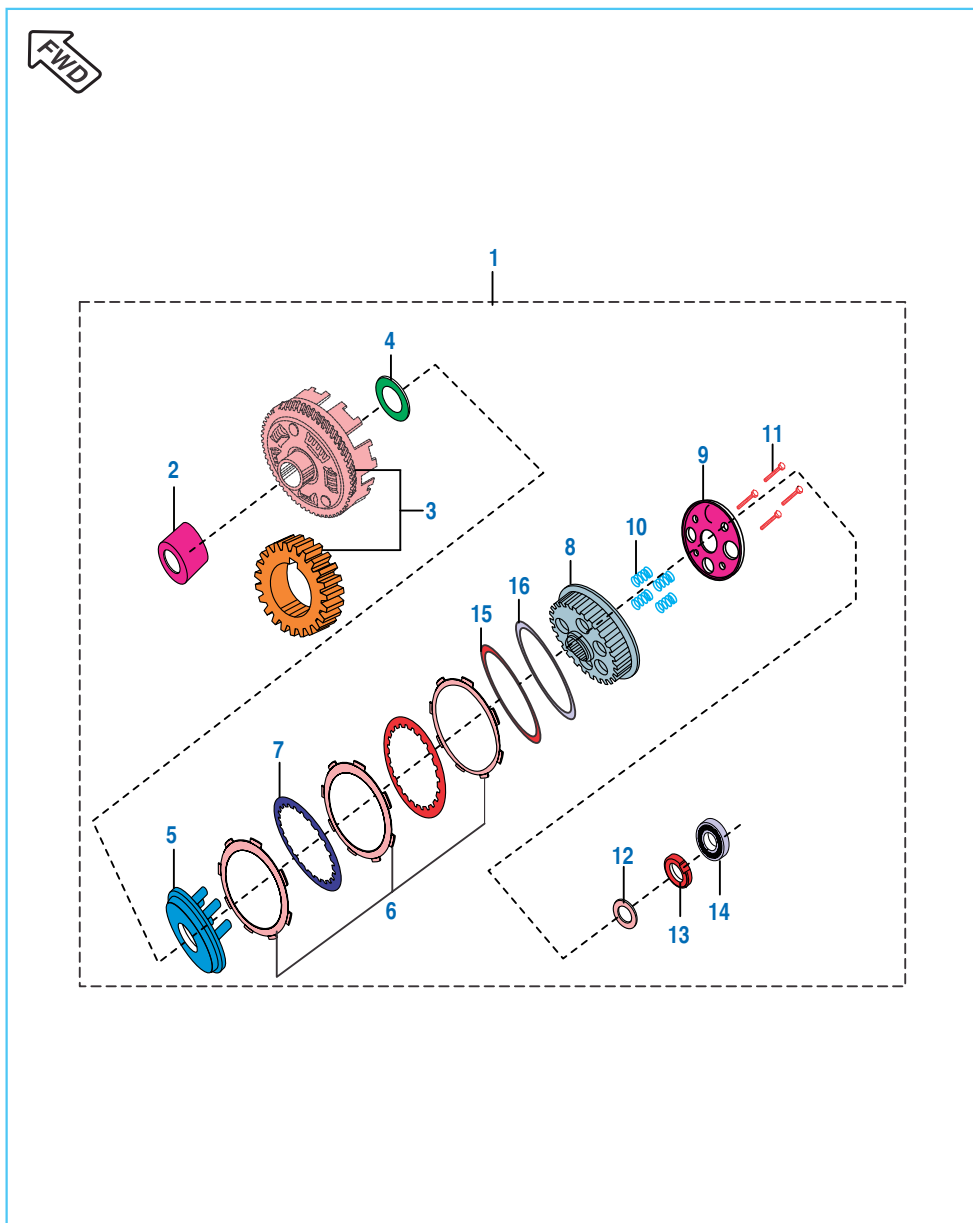
No.	Part No.	Description	Qty.	Remarks
1	36 JL00 02	Kit Asly Clutch Cover	1	Refer Page No. 108
	52 JL00 73	Clutch Cover Assly Complete	1	In place of 36JL0002
	36 JL00 46	Kit Assly Clutch Cover	1	Ref. Ser. Cir. D-62
2	39 1990 20	Bearing - Needle	1	
3	LD B000 20	Washer 12.5X24X0.8T	1	
4	JG 5510 17	Spring	1	
5	JG 5510 15	Shaft Clutch Release Assy	1	
6	JU 5514 01	Rod Push	1	
7	JG 5412 30	Cap Oil Filling	1	
7A	39 1537 21	Ring 'O'	1	
8	DG 1014 18	Gauge	1	
	JL 5412 27	Window Oil Gauge	1	Ref Ser. Cir. D-62
9	DS 1012 15	Clip - Wire	1	
10	39 1041 19	Seal - Oil	1	N.I.
11	39 0999 06	Pin - Hollow Dowel	2	
12	JL 5412 07	Gasket Clutch Cover	1	
13	JL 5412 10	Bracket Clutch Cable	1	
14	KA DQ06 30	Bolt Flanged	11	
15	39 1046 19	Seal - Oil	1	
16	JG 5412 31	Plate -position	1	
17	DH 1013 83	Bolt M6	2	
18	JL 5412 22	Decal Triple Spark	1	
19	JL 5412 18	Jet Oil Clutch Cover	1	N.I.
20	JL 5412 30	Damper Clutch Cover	1	Ref. Serv. Cir. D-59
21	JL 5412 31	Plate Damper Clutch Cover	1	Ref. Serv. Cir. D-59
22	DH 1013 88	Bolt Flange	5	Ref. Serv. Cir. D-59

Cover Magneto



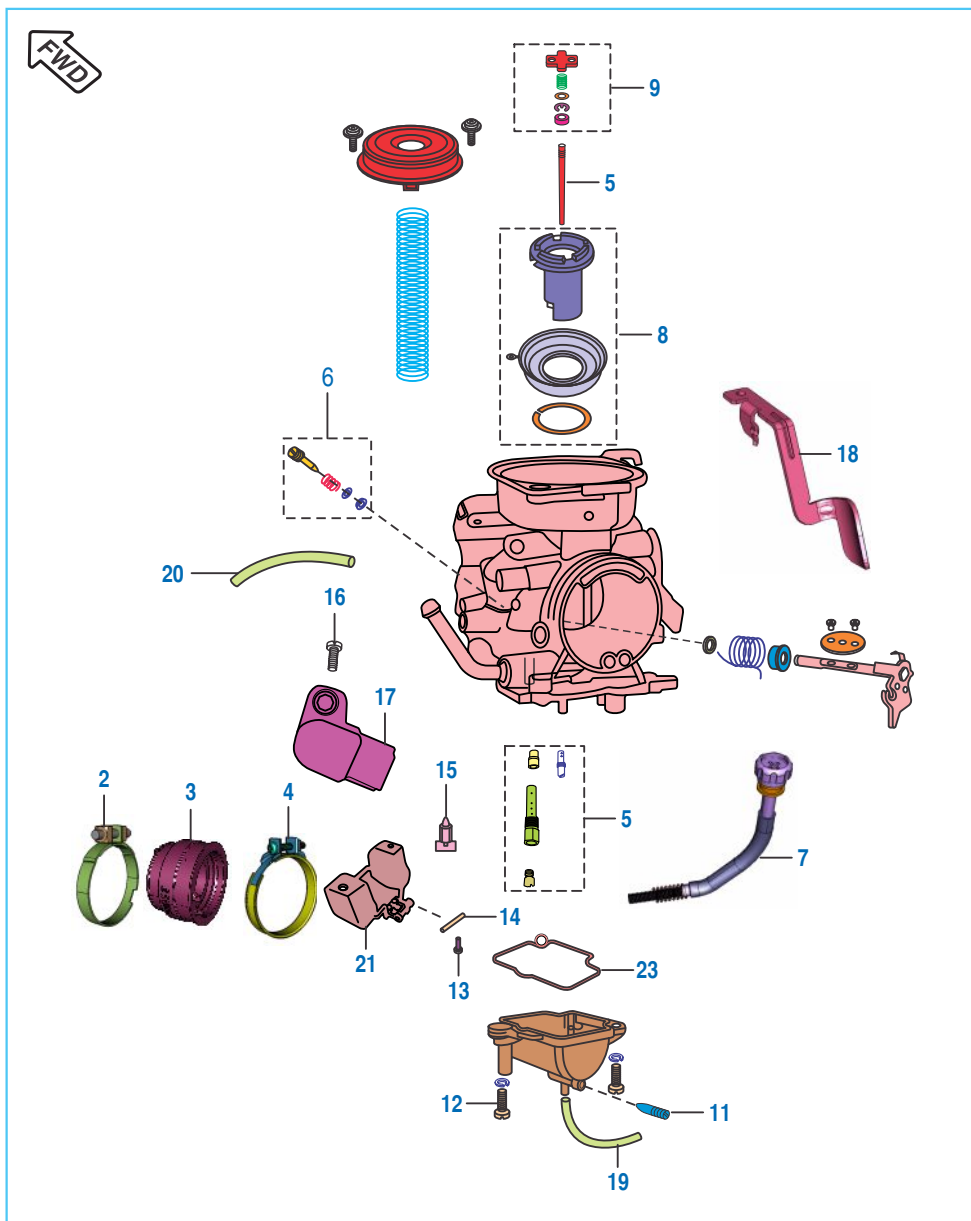
No.	Part No.	Description	Qty.	Remarks
1	JL 5412 02	Cover Magneto	1	
	52 JL01 45	Magneto Cover Assembly	1	Refer Serv. Cir. D-62
2	JA 5412 33	Cap TDC Finder	1	
3	30 1011 95	Ring - O	1	
4	39 0999 06	Pin - Hollow Dowel	2	
5	JL 5412 08	Gasket Magneto Cover	1	
6	KA DQ06 30	Bolt Flanged	9	
7	JL 5412 03	Cover LH RR	1	
8	KA DQ06 45	Hex Headed Bolt Flange	3	
9	JL 2330 15	Gear Shift Label	1	
10	JL 5412 23	Decal 'Bajaj logo'	1	
11	JL 2330 15	Gear Shift Label-6 Speed	1	

Clutch Assly



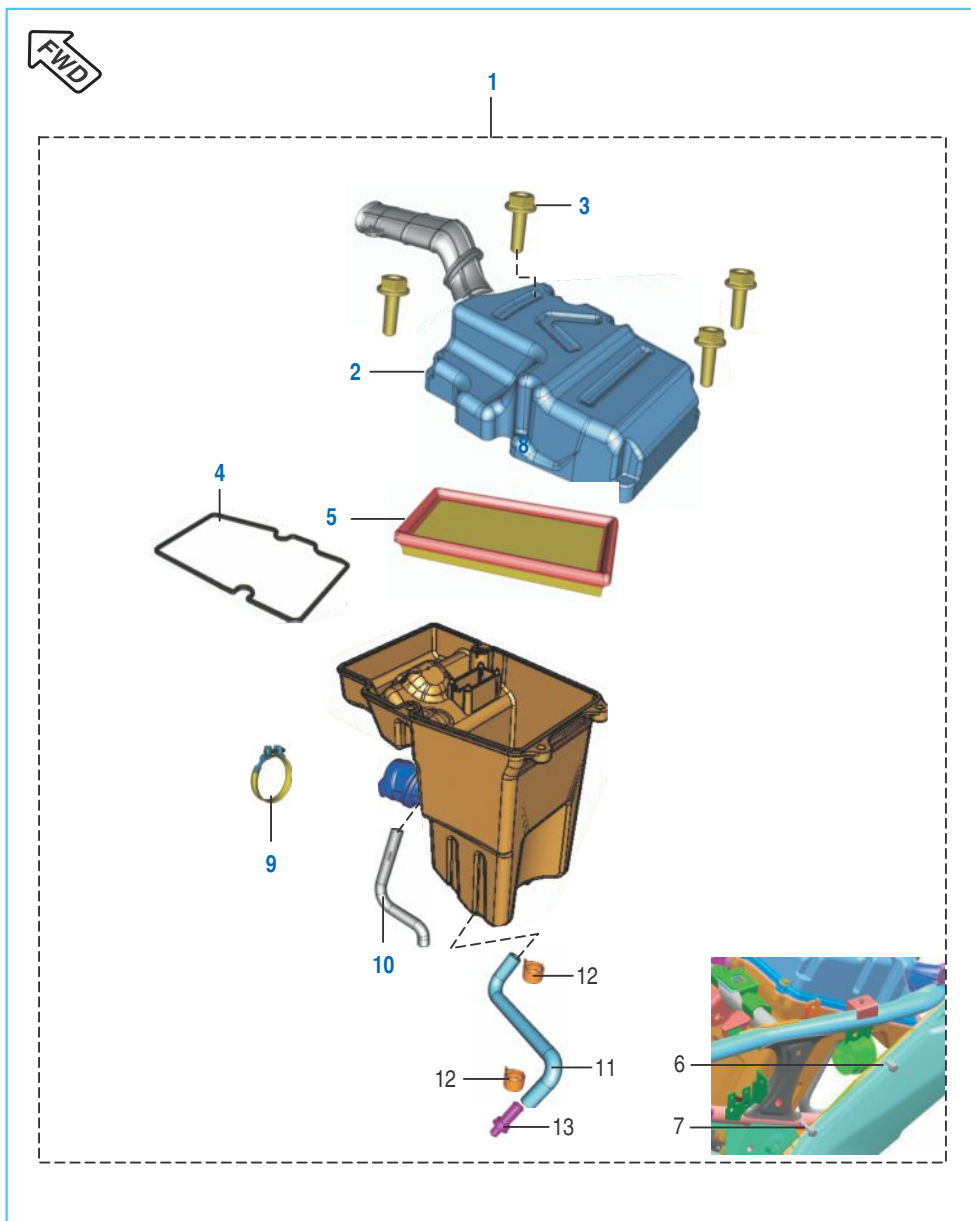
No.	Part No.	Description	Qty.	Remarks
1	JU 5514 04	Clutch Assy Comp	1	
2	JG 5514 27	Collared Bush	1	
3	36 JL00 05	Kit Set Primary Drive & Driven Gear	1	Refer Page No. 107
4	JG 5514 28	Washer Clutch	1	
5	JG 5514 49	Plate (Wheel Clutch)	1	
6	36 JU00 02	Kit Friction Plate	1	Refer Page No. 108
7	JG 5514 47	Pressure Plate	5	
8	JG 5514 43	Clutch Holder (Hub Clutch)	1	
9	JU 5514 06	Clutch Center (Holder Clutch)	1	
10	JU 5514 02	Spring -Clutch	4	
11	JG 5514 51	Bolt 6*22	4	
12	39 2200 11	Washer - Plain (Primary Drive Gear)	1	
13	DH 1016 48	Nut Clutch Center Lock (Pre-coated)	1	
14	JG 5514 23	Clutch Lifter Bearing	1	
15	DP 1011 43	Plate Judder Spring	1	
16	DP 1011 14	Spring Anti Judder	1	

Carburettor



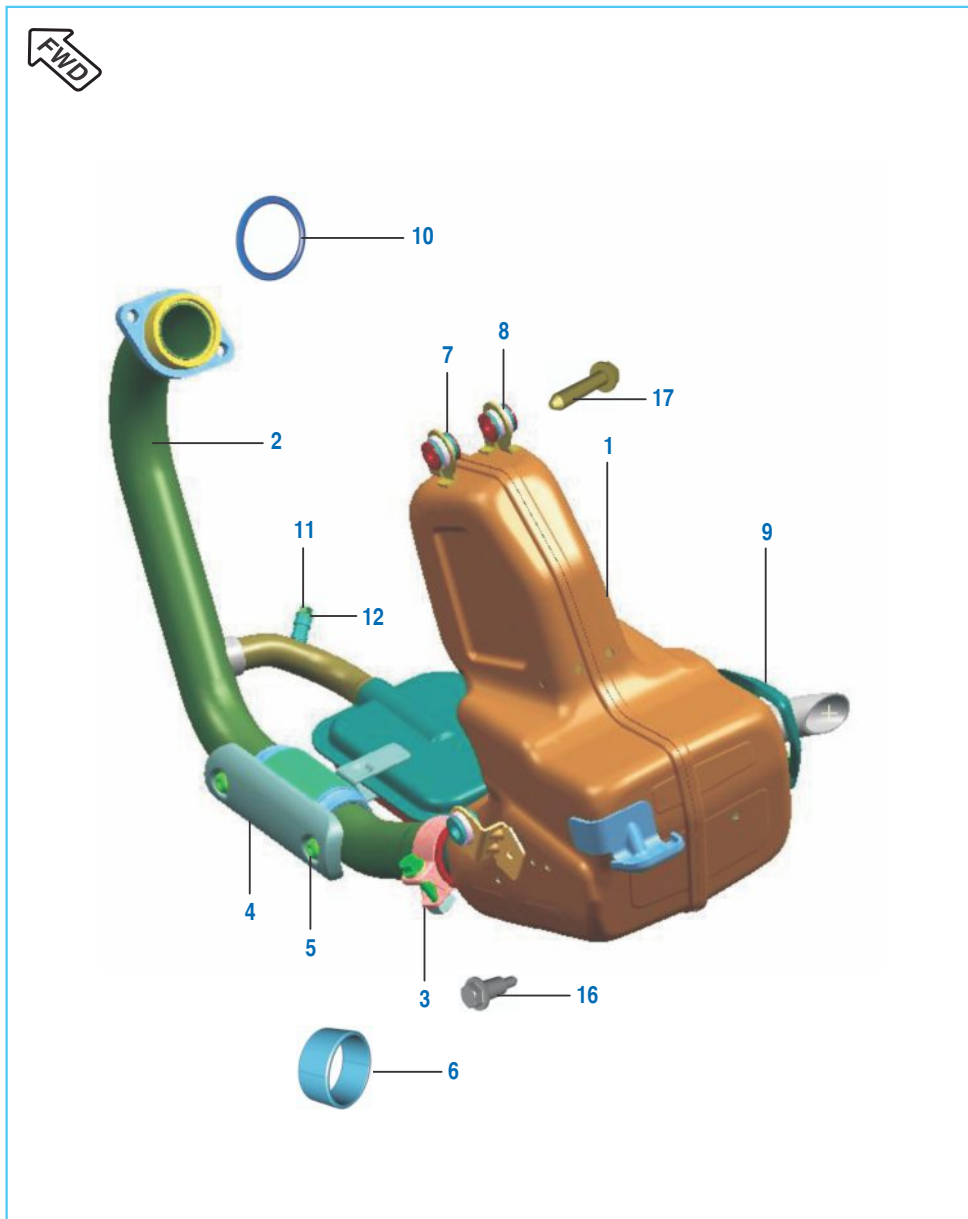
No.	Part No.	Description	Qty.	Remarks
1	JL 5812 01	Carburettor	1	
2	JL 5813 00	Clamp (Duct Carburettor)	1	
3	JL 5110 16	Insulator Rubber	1	
4	JL 5810 27	Clamp	1	
5	36 JL00 19	Kit Jet P200	1	Refer Page No. 108
6	36 JL00 20	Kit VC Screw P200	1	Refer Page No. 109
7	36 JL00 21	Kit Idling Screw	1	Refer Page No. 109
8	36 JL00 22	Kit Piston Valve P200	1	Refer Page No. 108
9	36 JL00 24	Kit Jet Needle Hardware P200	1	Refer Page No. 109
10	36 JL00 23	Kit Gasket / O-ring P200	1	Refer Page No. 109
11	JA 5813 14	Drain Screw	1	
12	CB 1210 42	Float Chamber Screw	2	
13	DH 1210 64	Screw Needle Shaft	1	
14	DH 1210 63	Float Needle	1	
15	DK 1210 47	Needle Assly.	1	
16	39 1780 01	Screw Pan - M5	2	
17	JD 3518 00	TPS Assly.	1	
18	JL 5812 04	Choke Lever	1	
19	JL 5812 05	Tube Drain Carb.	1	
20	JL 5812 06	Tube Breather	1	
21	DK 1210 45	Float Assembly	1	
22	JG 5814 42	Clamp Intake Pipe	1	
23	DK 1210 58	Gasket Float Chamber	1	

Air Cleaner Complete



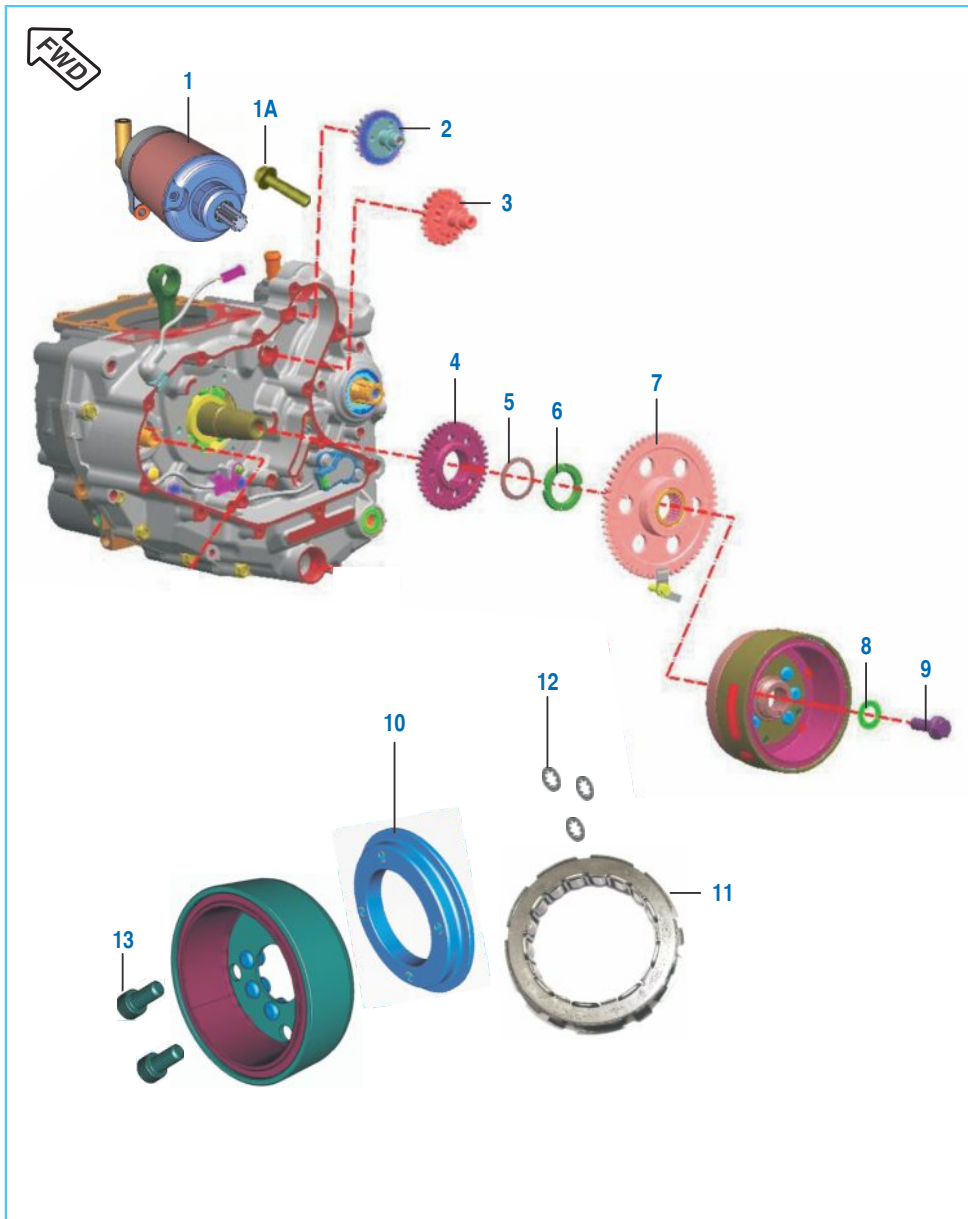
No.	Part No.	Description	Qty.	Remarks
1	JL 5810 00	Air Filter Assembly	1	
2	JL 5810 23	Assembly Top Cover	1	
3	KA EM06 22	Bolt-Flange	4	
4	JL 5810 25	Seal Top Cover	1	
5	JL 5810 09	Filter Element	1	
6	KA DM06 10	Bolt Flange M6-L10mm	1	RH Mounting
7	KA DA06 30	Bolt Flange M6-L33mm	1	RH Mounting
8	39 0239 11	Plain Washer	2	N.I. RH Mounting
9	JG 5812 42	Clamp	1	
10	JL 5810 16	Tube Breather Assly	1	
11	JL 5810 15	Tube Drain Assembly	1	
12	DG 1210 02	Clamp	2	
13	DS 1211 26	Plug	1	

Silencer Assembly



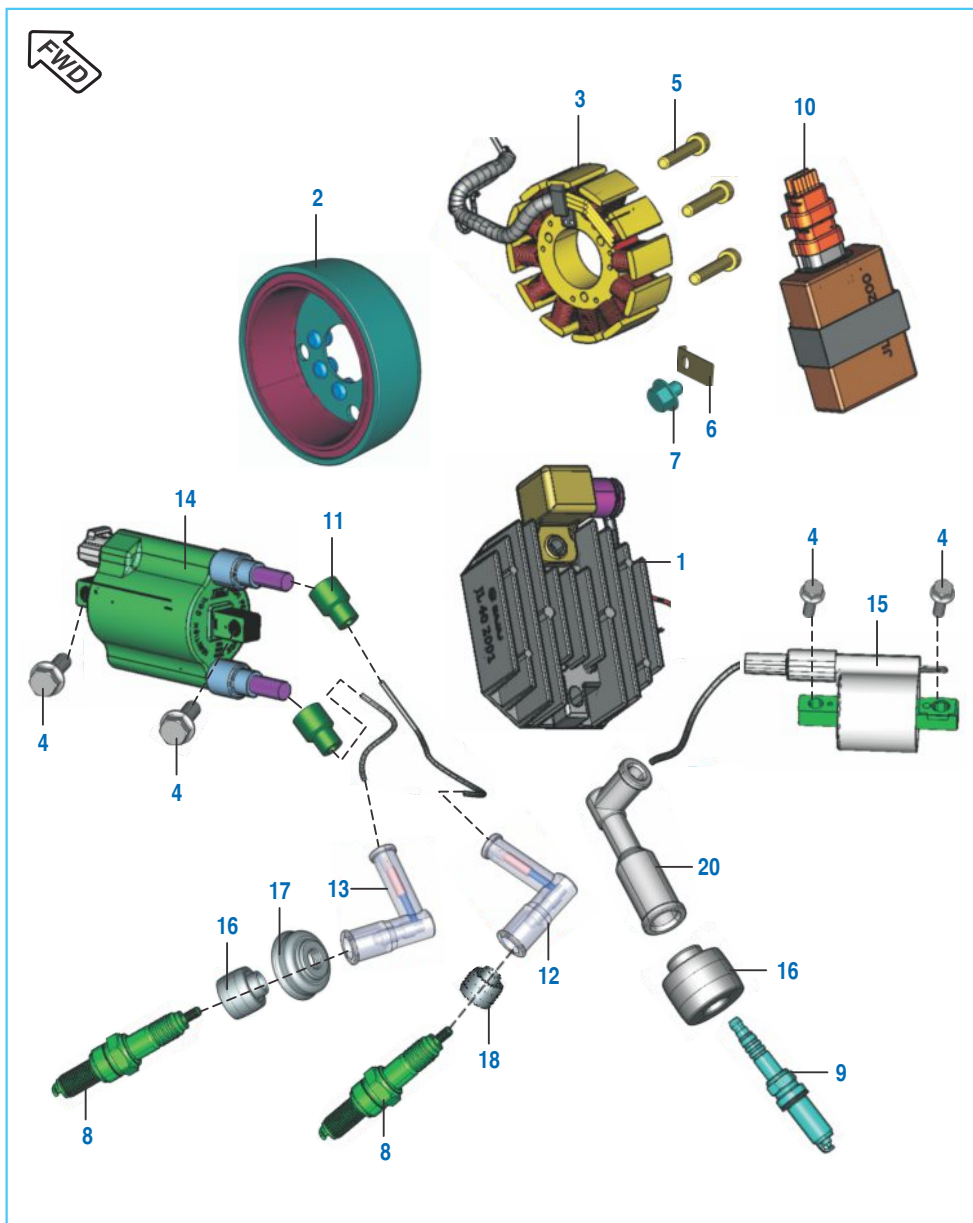
No.	Part No.	Description	Qty.	Remarks
1	JL 5910 52	Assembly Muffler W/O Shield	1	
2	JL 5910 48	Pipe Exhaust Assly W/O Shield	1	
3	JG 5910 38	Band Clip	1	
4	JL 5911 44	Shield Catalytic Converter	1	
5	DH 1016 07	Truss Screw	4	
6	JG 5910 39	Gasket Muffler Pipe-A	1	
7	JG 5910 96	Bush Silencer Mounting	4	
8	JG 5910 97	Damper Silencer Mounting	4	
9	JL 5910 75	Heat Shield	1	
10	JG 5910 70	Gasket Exhaust	1	
11	39 2754 04	Bolt Hex	1	
12	39 2492 11	Plain Washer	1	
13	JG 5910 53	Damper Silencer Mounting	4	
14	KA DQ06 25	Bolt M6	2	
15	JG 5910 88	Clip Nut M6	2	
16	JL 5910 86	Bolt Stepped	2	
17	JL 5911 48	Bolt Hex Flange	2	

Starter Assembly



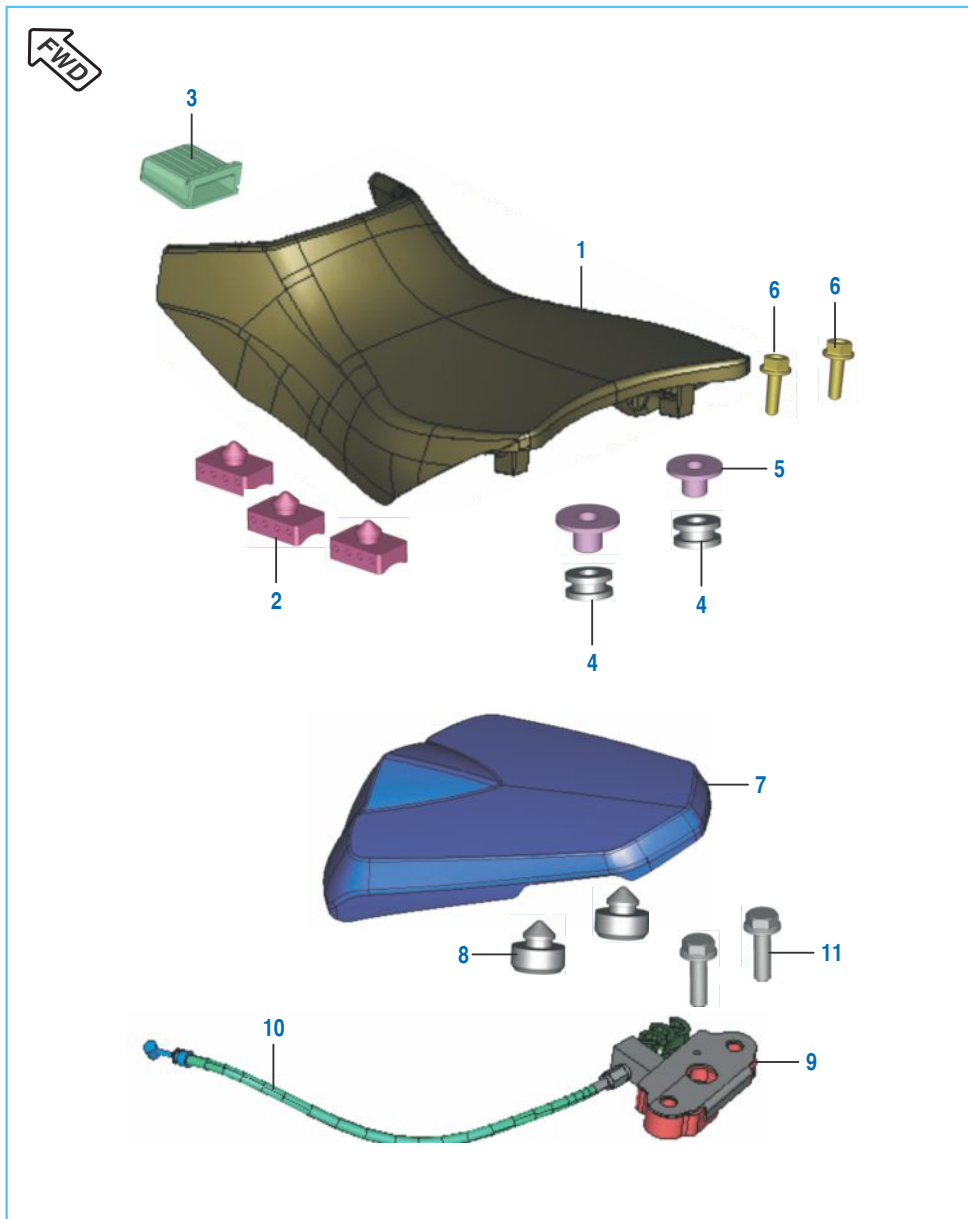
No.	Part No.	Description	Qty.	Remarks
1	JL 3516 00	Starter Motor Assly.	1	
1A	KA DQ06 25	Bolt M6-Motor mtg.	2	N.I.
2	JG 6214 13	Gear Starter Counter 2 Assy	1	
3	JG 6214 12	Gear Starter Counter 1	1	
4	JG 5310 41	Balancer Drive Gear	1	
5	JG 5310 39	Belleville Washer	1	
6	JG 5310 40	Nut Balancer	1	
7	JG 6214 17	Assembly Gear Starter Clutch	1	
8	39 2165 11	Plain Washer	1	
9	DH 1013 96	Hex Bolt Flanged	1	
	LA D000 55	Hex Bolt Flanged	1	Refer Cir. D-58
10	JG 3510 19	Body Complete Starter Clutch	1	
11	JY 5514 02	Clutch One Way Assly	1	
12	39 0849 14	Washer - Lock Toothed	4	
13	DH 10 13 89	Pre-coated Screw	4	
14	JA 3516 27	'O' Ring Starter Motor	1	N.I.

Magneto, CDI & H.T. Coil



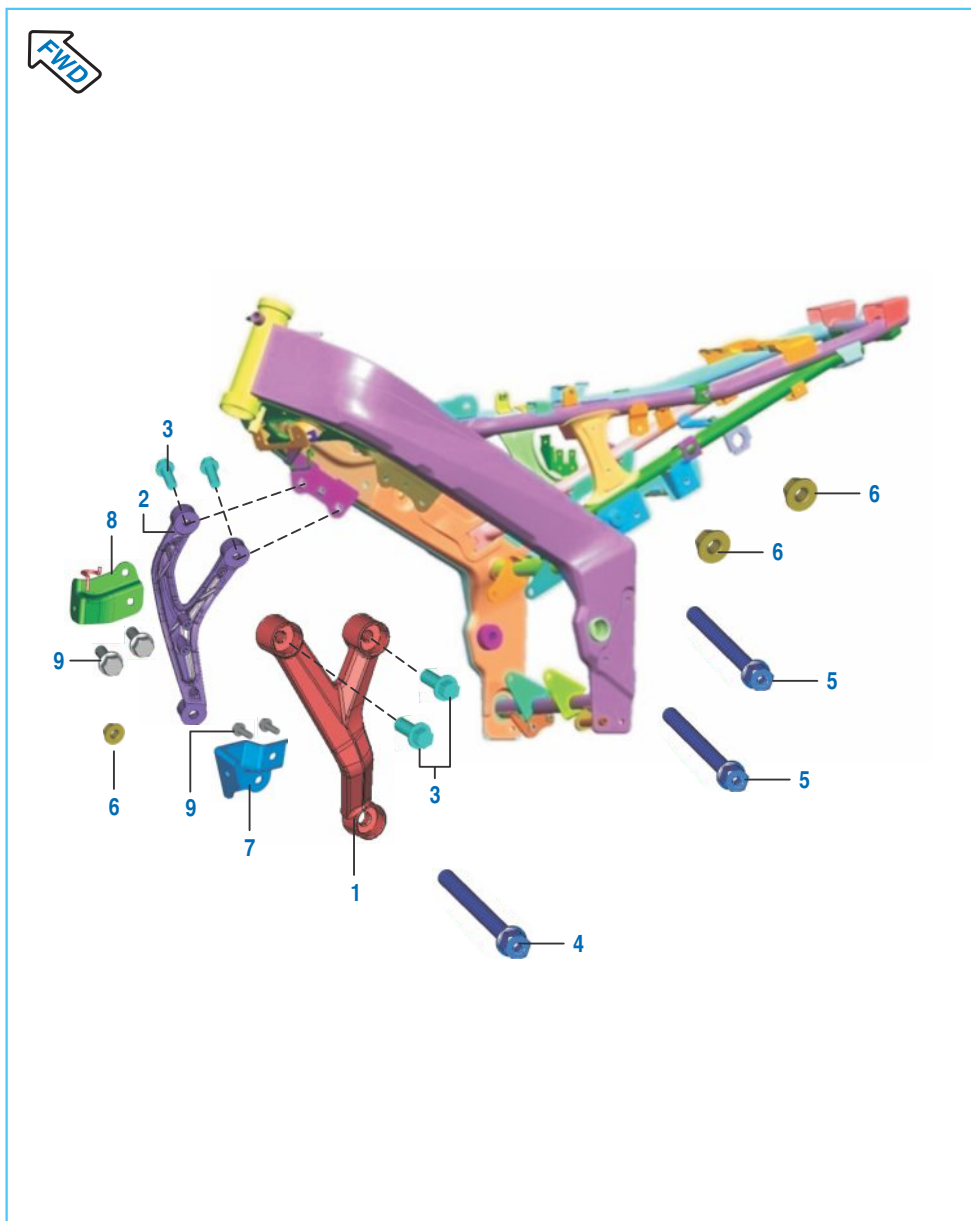
No.	Part No.	Description	Qty.	Remarks
1	JL 4020 01	Regulator Assly	1	
2	JL 3510 09	Rotor Assy. (W/O Clutch Assy)	1	
3	JL 3510 03	Stator Assly Compl	1	
4	39 1944 04	Bolt - Flanged	4	HT Coil Mtg.
5	DK 1012 84	Hex Socket Head Screw(M5X0.8X35)	3	
6	DH 1011 99	Plate - Stopper (Wiring Harness)	1	
7	LA E000 10	Bolt Flange M5 X 13L	2	
8	DK 1110 28	Spark Plug RG6HCC	2	
9	JG 3512 09	Ignition Spark Plug	1	
10	JL 3512 00	DC CDI With Sealed Coupler	1	
11	DD 1110 12	Grommet For H. T. Cable	2	
12	JD 3512 07	Spark Plug Cap	1	
13	AN 1110 15	Spark Plug Cap	1	
14	JL 3512 01	Ignition Coil with Cable LH	1	Twin Output
15	JL 3512 02	Ignition Coil with Cable RH	1	
16	DH 1110 13	Grommet - Spark Plug	2	
17	DH 1110 16	Grommet - Sleeve Spark Plug	1	
18	DD 1110 11	Grommet - Spark Plug Cap	1	
20	DK 1110 11	Cap Spark Plug	1	

Seat Assembly / Seat Lock



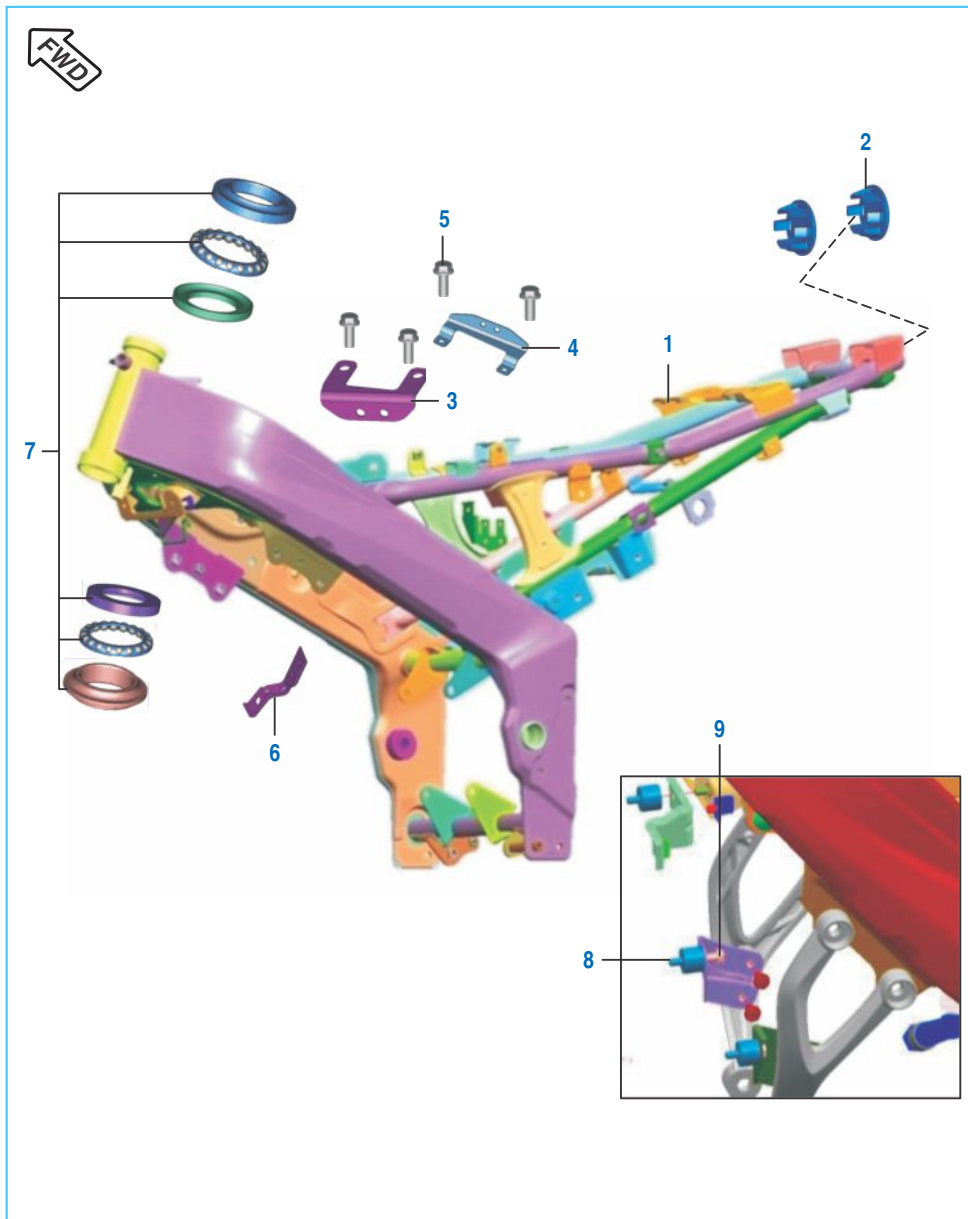
No.	Part No.	Description	Qty.	Remarks
1	JL 1910 01	Seat Assy Comp Front	1	
2	36 JL00 13	Kit Damper For Seat	1	Refer Page No.107
3	DK 2110 07	Damper Seat Front	1	
4	JG 1910 08	Collar -Seat	2	
5	FD 2110 06	Grommet - Seat	2	
6	DS 1612 87	Flange Bolt - M6	2	
7	JL 1910 04	Seat Assy Comp Rear	1	
8	JD 1910 06	Damper Round	2	
9	JG 2326 01	Lock Assy Seat Rear	1	
10	JG 2326 06	Seat Lock Cable	1	
11	39 1913 04	Bolt - Flanged	2	
	KA DE06 20	Bolt Flanged	2	Ref Ser. Cir. D-62

Engine Mountings



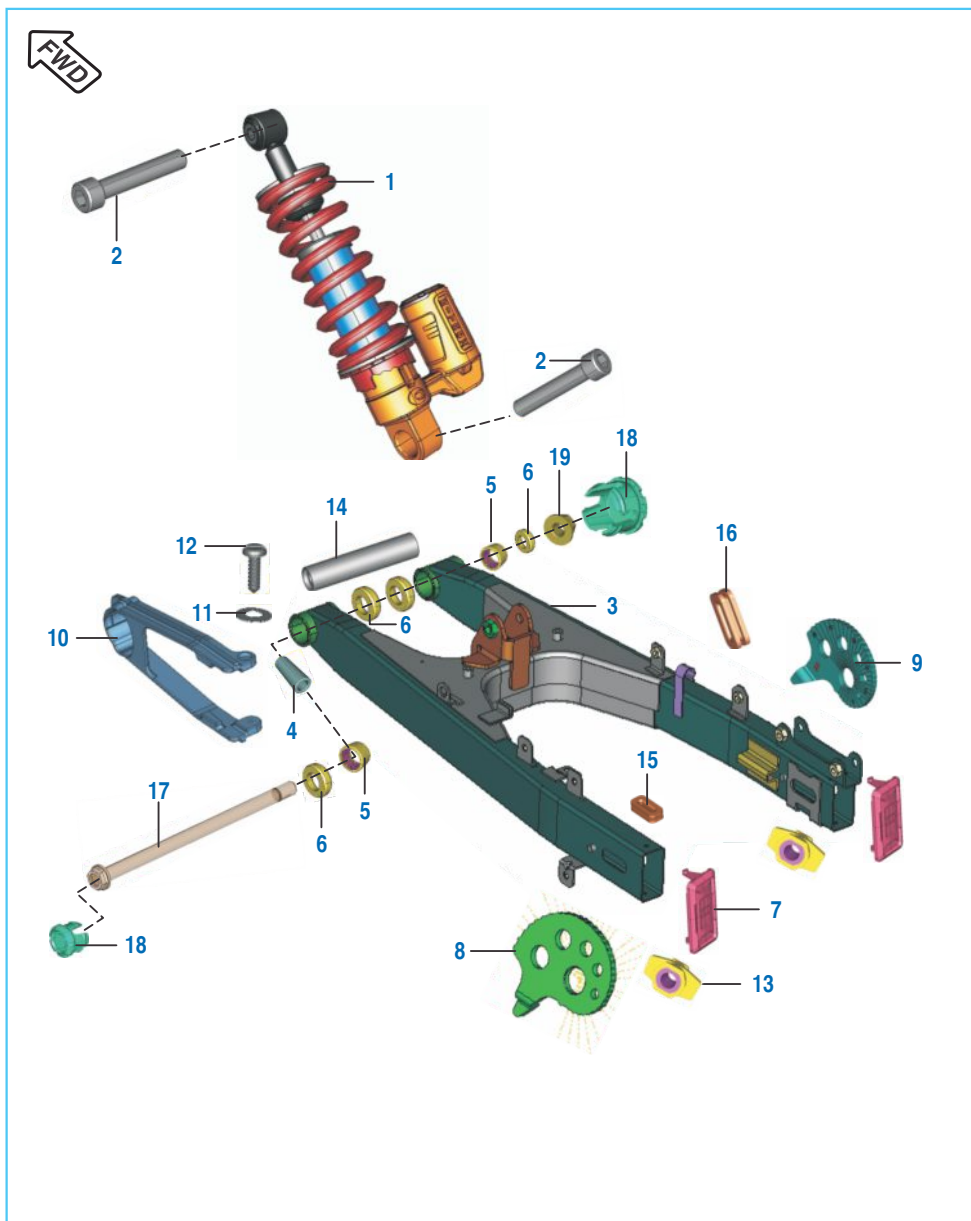
No.	Part No.	Description	Qty.	Remarks
1	JL 1134 00	Engine Stay LH	1	
	56 JL06 01	Eng Stay Assly LH With Black Color	1	Ref. Ser. Cir. D-62
2	JL 1134 01	Engine Stay RH	1	
	56 JL07 01	Eng Stay Assly RH With Black Color	1	Ref. Ser. Cir. D-62
3	39 1951 04	Bolt - Flanged Small	4	
4	JL 1110 54	Engine Mtg Bolt Front	1	
5	JA 1134 03	Flanged Bolt M10X110	2	
6	39 2723 15	Nut Flanged M10	2	
7	JL 1110 92	Bkt. Radiator Lower LH	1	
8	JL 1110 93	Bkt. Radiator Lower RH	1	
9	39 1062 04	Bolt Flanged	4	

Frame and Frame Fittings



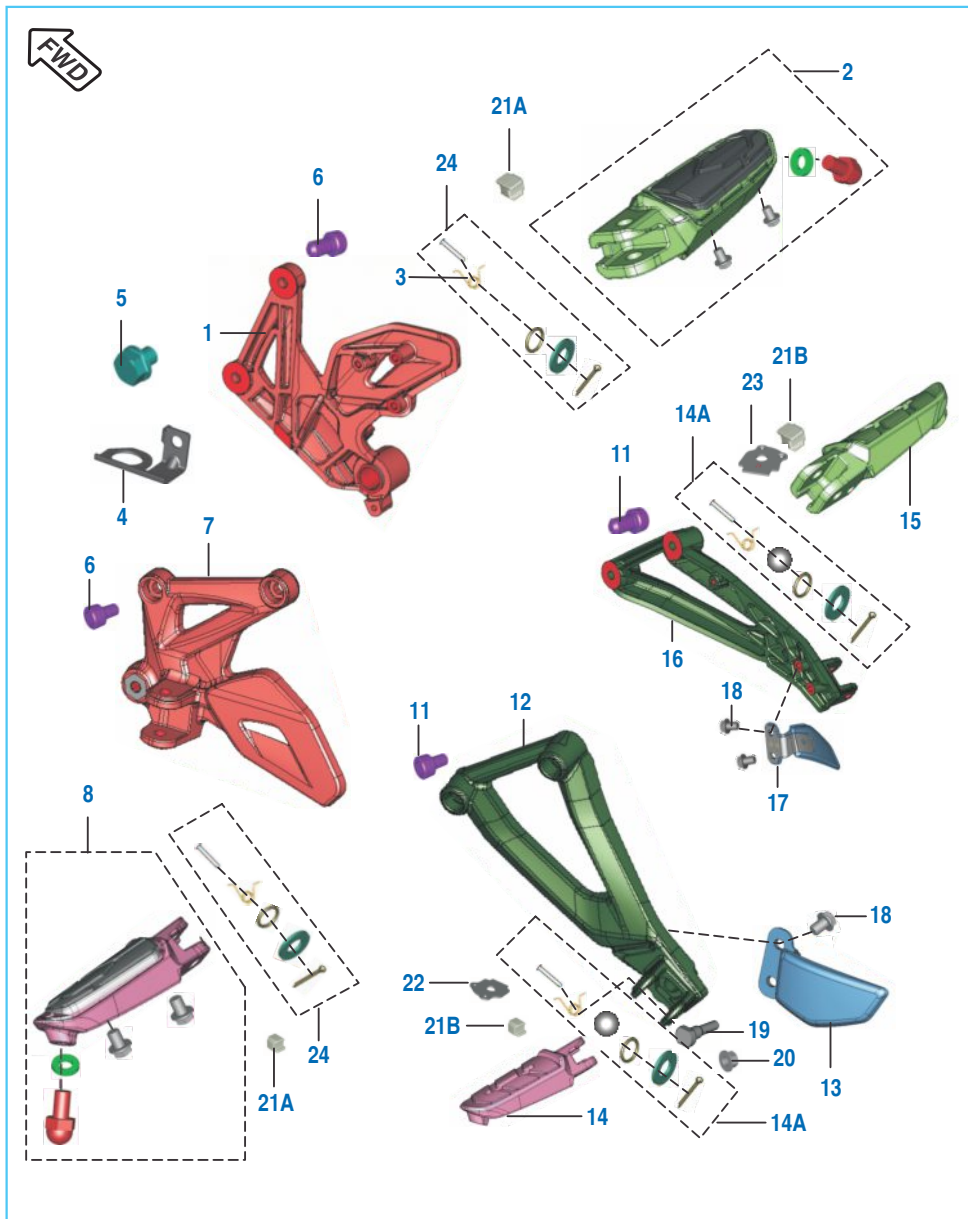
No.	Part No.	Description	Qty.	Remarks
1	JL 1111 06	Frame Assly Complete	1	Without Bearing Race
2	JL 1111 03	Cap Tube End	2	
3	JL 1110 81	Bracket Loose H.T. Coil 1	1	
4	JL 1110 82	Bracket Loose H.T. Coil 2	1	
5	39 1944 04	Bolt - Flanged	4	
6	JL 1110 78	Bracket Horn Mtg Lh	1	
7	36 JG00 11	Kit Steering head bearing	1	
8	JG 5810 14	Silent Block	4	
9	LA D000 40	Bolt Flange	2	

Swing Arm / Rear Shock Absorber



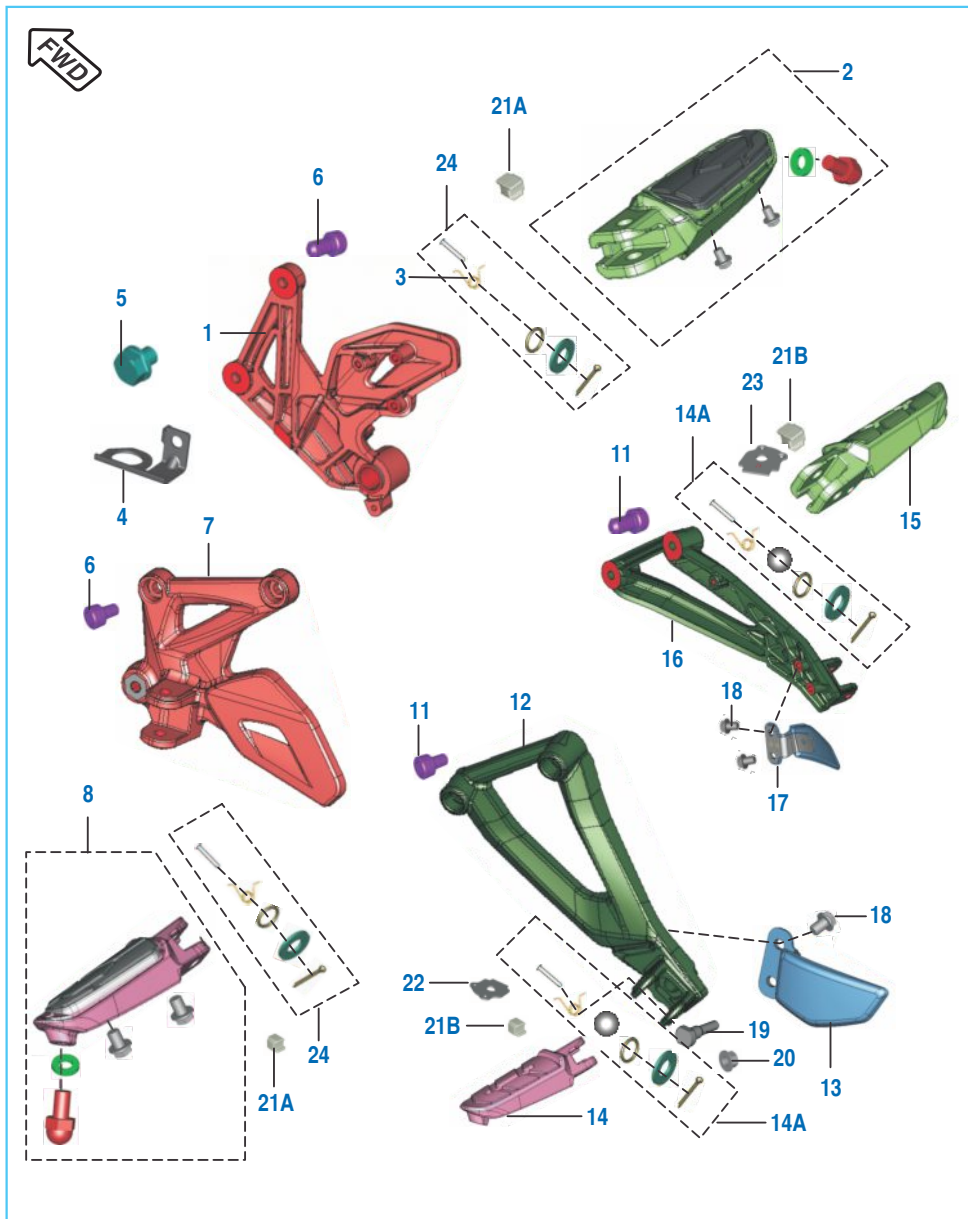
No.	Part No.	Description	Qty.	Remarks
1	JL 1220 06	Shockabsorber Mono	1	
2	LA C000 19	Bolt Socket M10 X 1.25 X 55	2	
3	JL 1220 14	Assembly Swing Arm Comp	1	
4	DG 1710 16	Sleeve	2	
5	DG 1710 18	Bearing - Needle	2	
6	DG 1710 19	Seal - Oil	4	
7	JL 1220 02	Cap Swing Arm Tube	2	
8	JL 1220 01	Adjuster Chain Lh	1	
9	JL 1220 09	Adjuster Chain Rh	1	
10	JL 1220 03	Slider Chain	1	
11	39 0454 11	Washer - Plain	2	
12	39 0553 02	Screw - Self Tapping	2	
13	JL 1220 04	Spacer Chain Adjuster	2	
14	JL 1220 08	Spacer Central Swing Arm	2	
15	JL 1812 24	Grommet I	1	
16	JL 1812 25	Grommet li	1	
17	DG 1710 15	Shaft - Swing Arm	1	
18	JL 1111 09	Cap -Swing Armpivot	2	
19	DG 1710 17	Nut	1	

Pillion Foot Rest / Holder



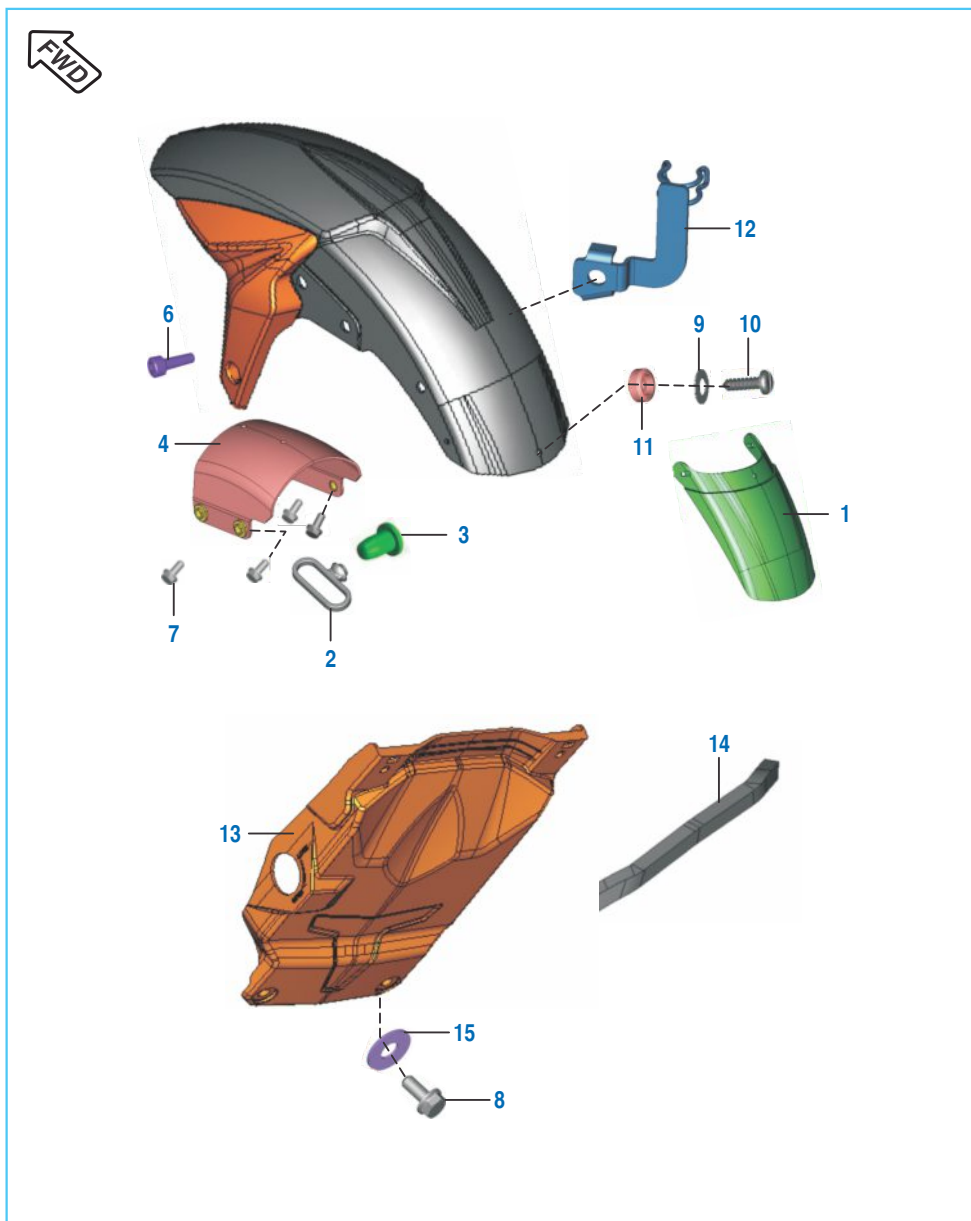
No.	Part No.	Description	Qty.	Remarks
1	JL 1130 02	Holder Step RH	1	
2	JL 1130 07	Step Assy Main RH	1	
	52 JL01 59	Step Assy Main RH Mtl Colour	1	Ref. Ser. Cir. D-62
3	JL 1130 12	Spring Torsion	2	
4	JL 1130 33	Bracket Rear Brake Switch	1	
5	39 2475 04	Bolt - Hexagon Head Flange M6	1	
	KA EA06 08	Bolt Flanged Small	1	
6	KA CA08 20	Bolt-Socket Dia-08 L-20	4	
7	JL 1130 34	Holder Step LH	1	
8	JL 1130 00	Step Assy Main LH	1	
	52 JL01 58	Step Assy Main LH Mtl Colour	1	Ref. Ser. Cir. D-62
10	LD A000 13	Washer Plain Dia 6.4Xdia 12.5X 2	1	
11	LA C000 16	Bolt Socket M8X35	4	
12	JL 1130 13	Step Holder- Pillion LH	1	
13	JL 1130 26	Flap Pillion Holder LH	1	
	56 JL07 3G	Flap Moon Light Silver	1	Ref. Ser. Cir. D-62
14	JL 1130 14	Step Pillion LH	1	
	56 JL01 01	Step Pillion Assy Complete LH Mlt Color	1	Ref. Ser. Cir. D-62
14A	36 JL00 15	Kit Pillion Hardware	2	
15	JL 1130 16	Step Pillion RH	1	
	56 JL02 01	Step Pillion Assy Complete RH Mlt Color	1	Ref. Ser. Cir. D-62
16	JL 1130 15	Step Holder - Pillion RH	1	
17	JL 1130 27	Flap Pillion Holder RH	1	
	56 JL08 3G	Flap Moon Light Silver	1	Ref. Ser. Cir. D-62

Pillion Foot Rest / Holder



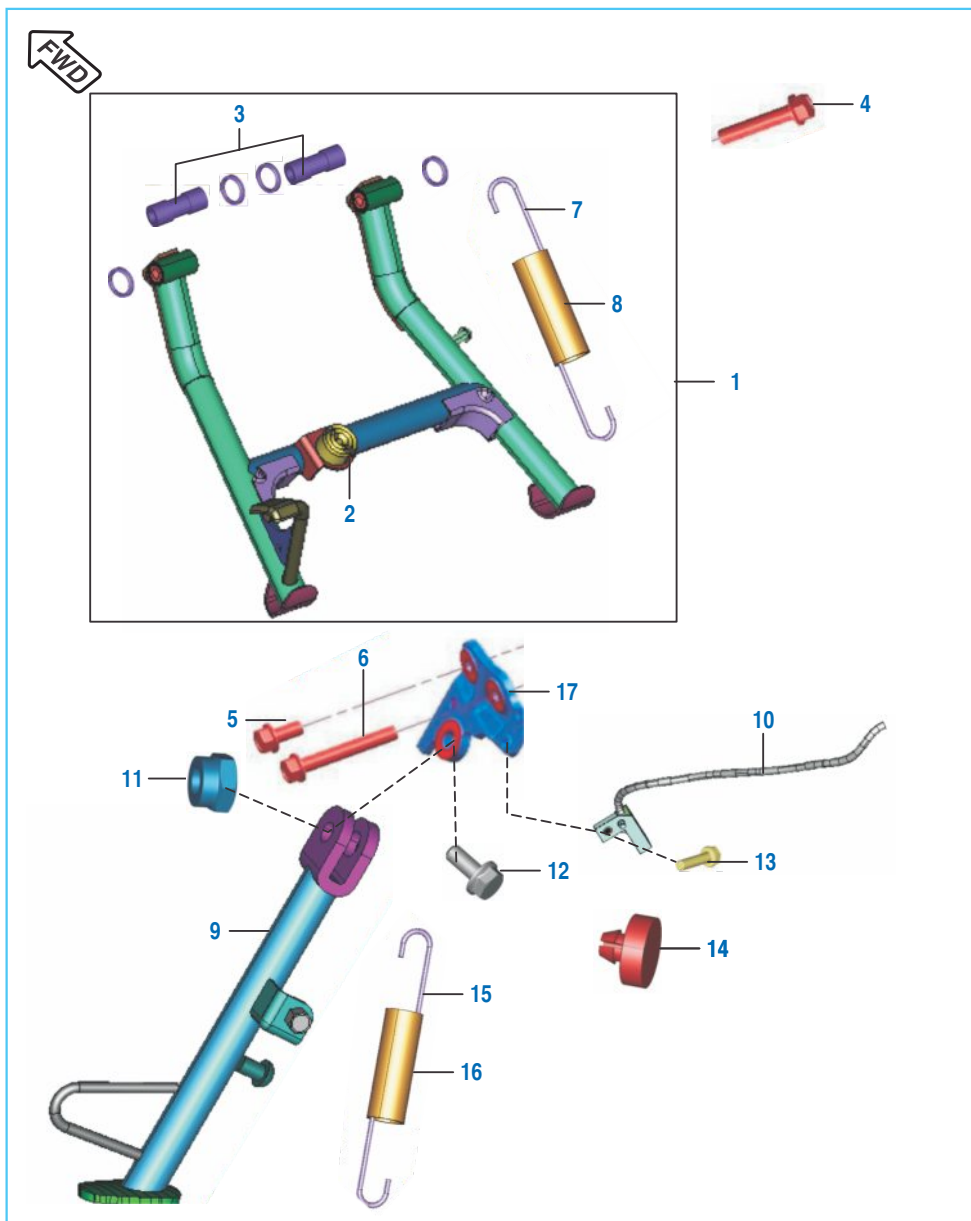
No.	Part No.	Description	Qty.	Remarks
18	39 1954 04	Bolt - Flanged Small	4	
	KA DE06 10	Bolt Flanged	2	Ref. Ser. Cir. D-62
19	JL 2312 06	Bolt Special M10	1	
20	39 1055 15	Nut	1	
21A	JL 1130 28	Rubber Pad Footrest	2	
21B	JL 1130 36	Rubber Pad Footrest	2	
22	JL 1130 20	Lock Plate LH	1	
23	JL 1130 32	Lock Plate RH	1	
24	36 JL00 41	Kit Main Step Hardware	2	

Mudguard - Front & Rear



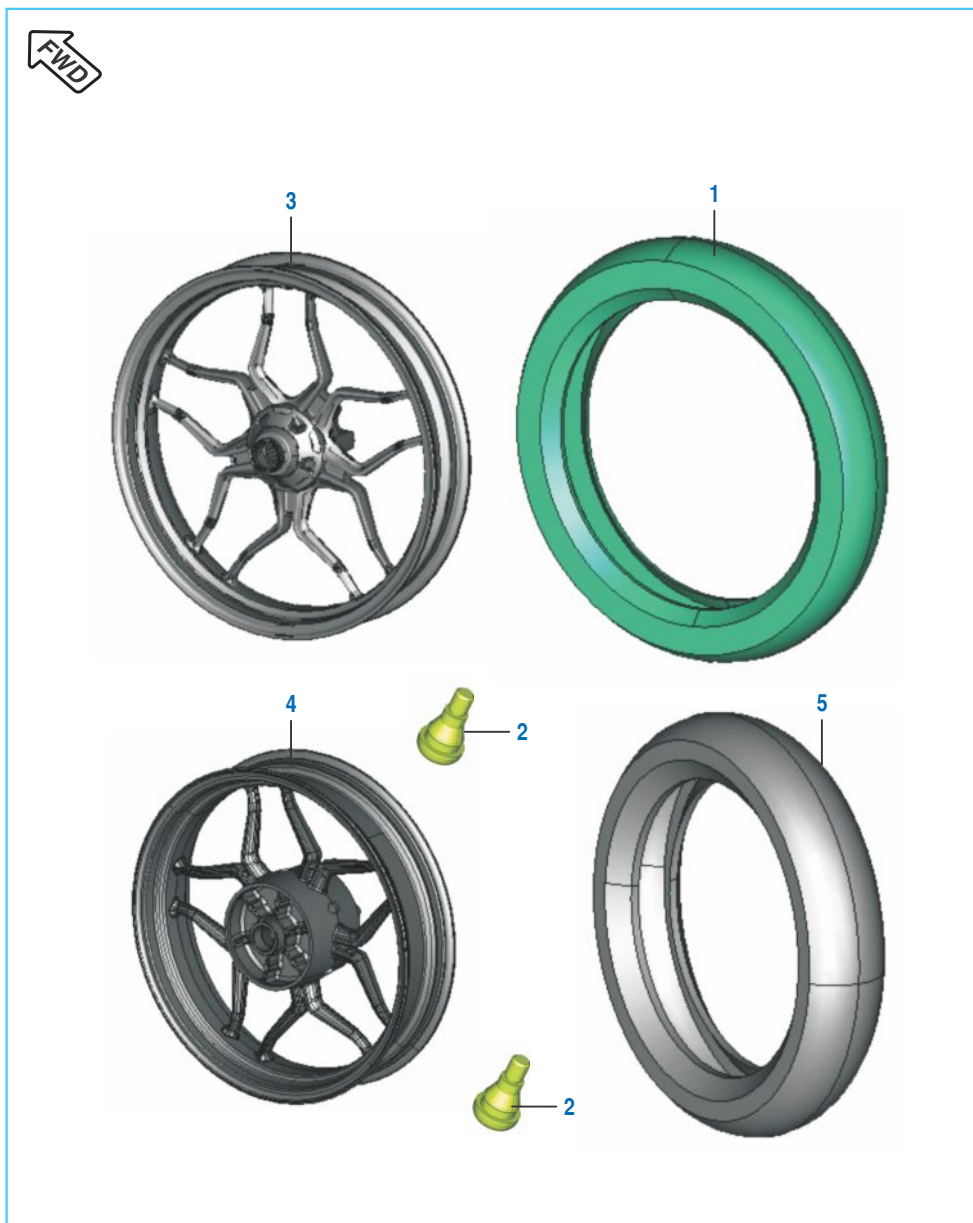
No.	Part No.	Description	Qty.	Remarks
1	JL 1814 05	Mudflap -Front	1	
2	DS 1611 25	Guide - Cable	1	
3	DJ 1610 69	Nail - Cable Guide	1	
4	JL 1814 02	Bracket Brace Fender	1	
5	JL 1814 11	Washer Front-Fender-Mtg	2	
6	39 2038 04	Bolt - Hexagon Socket Head M6	2	
7	39 1946 04	Bolt - Flanged M8	4	
8	39 1943 04	Bolt - Flanged	2	
9	39 0242 11	Washer - Plain	6	
10	39 2420 01	Screw - Pan Head M5	3	
11	39 0326 15	Nut - Nyloc M5 X 0.8	3	
12	JL 1318 11	Bracket -Hose Clamp	1	
13	JL 1812 09	Fender Rear Front	1	
14	JL 1812 21	Foam-Rear Fender Front	1	
15	39 0239 11	Washer - Plain	2	

Stand Assembly



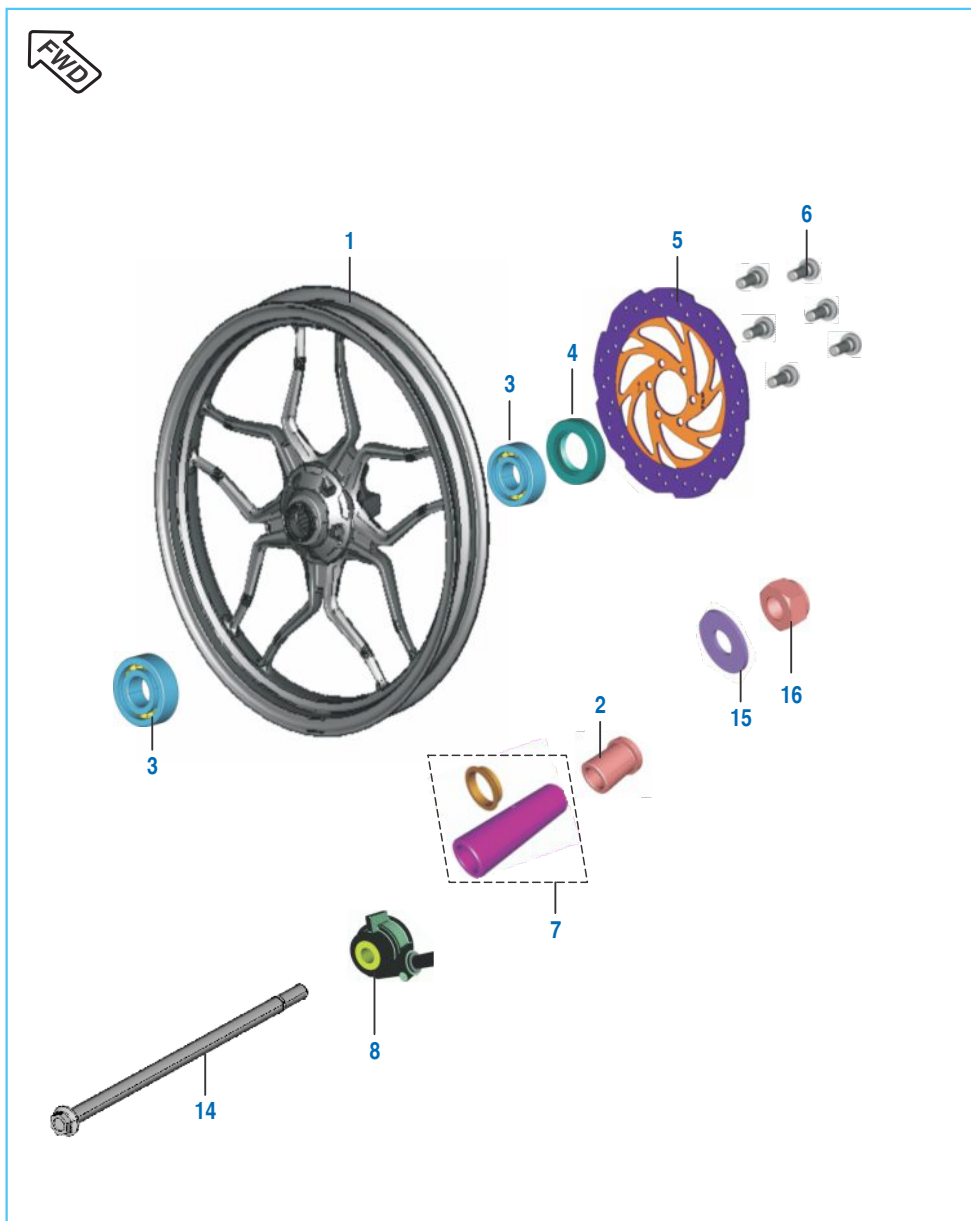
No.	Part No.	Description	Qty.	Remarks
1	36 JL00 25	Kit Center Stand	1	As An Accessories
2	DG 1611 24	Damper	1	
3	JL 1132 10	Bush Main Stand LH	2	
4	39 1941 04	Bolt - Flanged M8	1	
5	39 1946 04	Bolt - Hexagon M8 X 1.25	1	
6	39 2469 04	Bolt Flanged	1	
7	JL 1132 07	Spring Main Stand	1	
8	JL 1132 12	Cover Spring Main Stand	1	
9	JL 1132 01	Assembly Side Stand	1	
10	JL 4014 02	Switch Side Stand	1	
11	39 0422 15	Nut - Nyloc M10	1	
12	DF 1611 02	Bolt For Side Stand Mounting	1	
13	39 2060 04	Bolt - Flanged	1	Magnet Mtg.
14	JL 4036 00	Magnet Assembly	1	
15	JL 1132 09	Spring Side Stand	1	
16	DH 1611 46	Cover - Spring Side Stand	1	
17	JL 1132 02	Bracket Side Stand Mtg	1	

Tube / Tyre / Rim



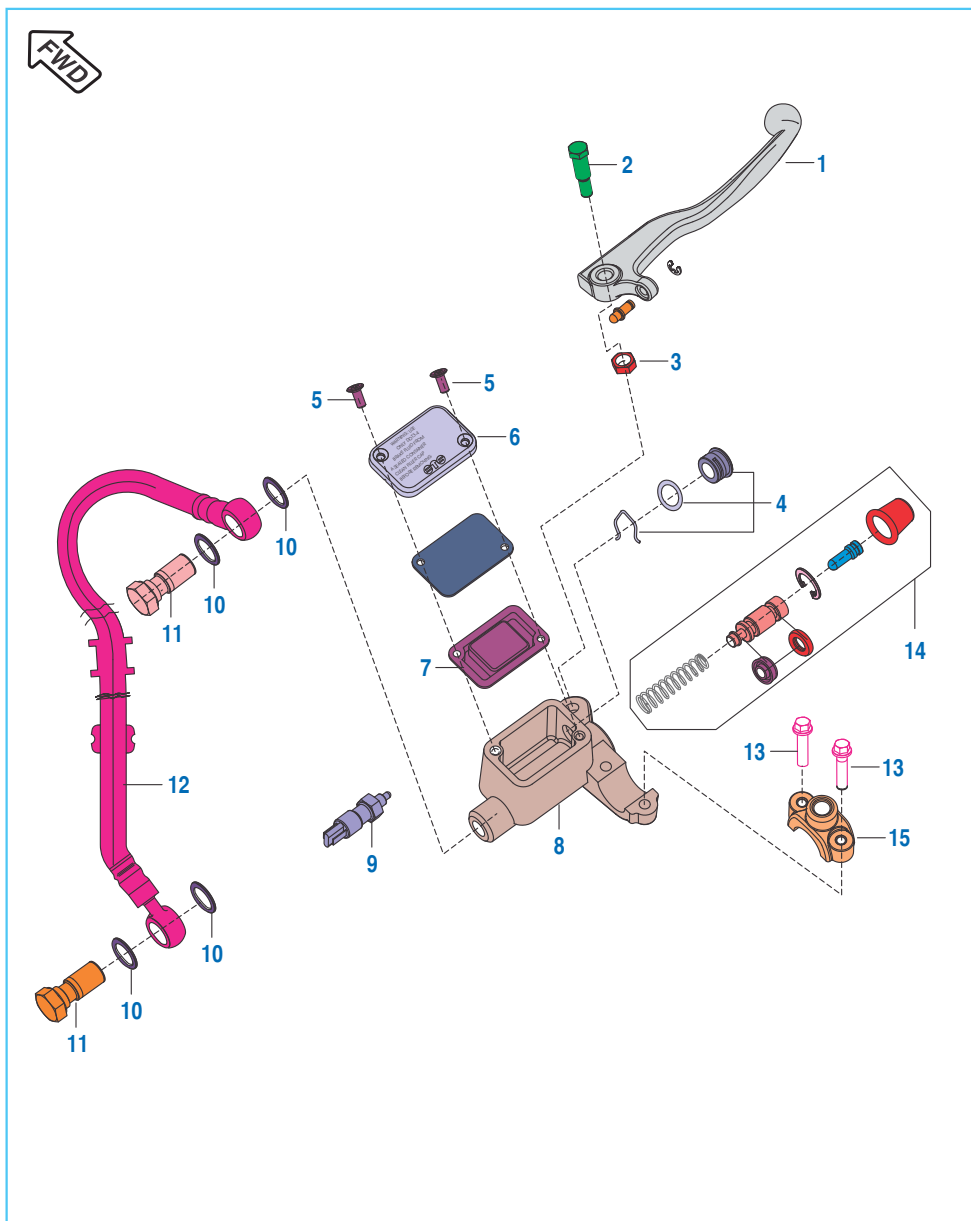
No.	Part No.	Description	Qty.	Remarks
1	JL 1310 06	Tyre Tubeless (Size 100/80-17)	1	Not Serviceable
2	DK 1510 26	Valve Tubeless Tyre	2	
3	JL 1310 04	Wheel Rim 2.5X17	1	
4	JL 1312 09	Wheel Rim 3.5X17	1	
5	JL 1312 19	Tyre 130/70-17	1	Not Serviceable

Front Hub



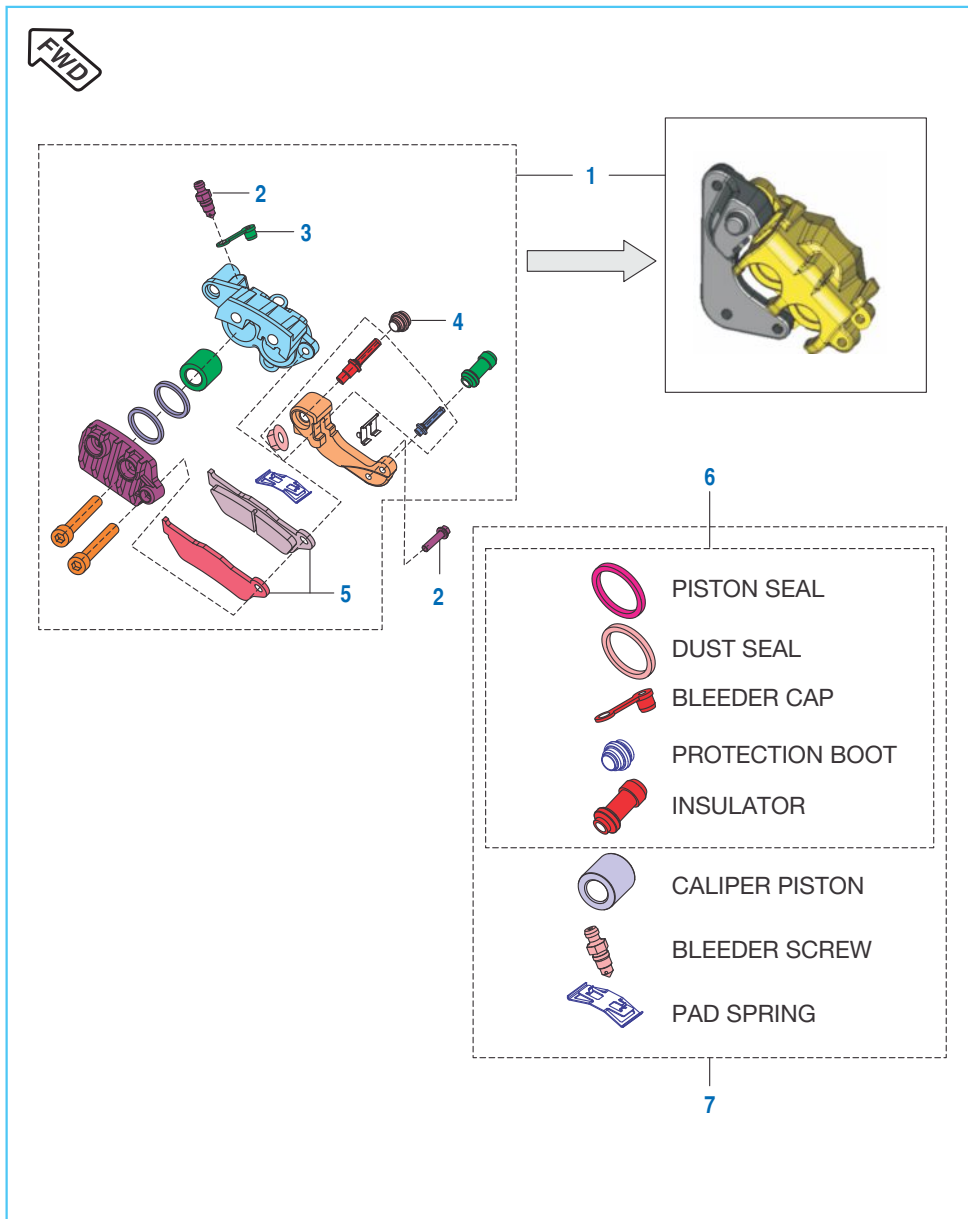
No.	Part No.	Description	Qty.	Remarks
1	JL 1310 04	Wheel Front	1	
2	JG 1310 01	Spacer	1	
3	39 2241 20	Bearing - Ball	2	
4	DG 1510 05	Seal - Oil	1	
5	JL 1310 05	Disc Front	1	
	52 JL01 41	Assembly Disc Front JL Khi (black)	1	Ref. Ser. Cir. D-62
6	JD 1318 11	Special Bolt M8	6	
7	JL 1310 00	Collar	1	
8	JC 1510 20	Case Meter Housing(W/O Sensor)	1	
10	JC 2010 46	Stopper	1	N.I. Sensor Mtg
11	59 2100 19	'O' Ring	1	N.I. Sensor
12	39 0900 12	Washer - Spring	1	N.I. Sensor Mtg
13	39 0840 01	Screw Pan Cross - M4	1	N.I. Sensor Mtg
14	JL 1310 01	Axle	1	
15	LD B000 09	Washer	1	
16	LC J000 02	Nut - U M14	1	

Front Master Cylinder



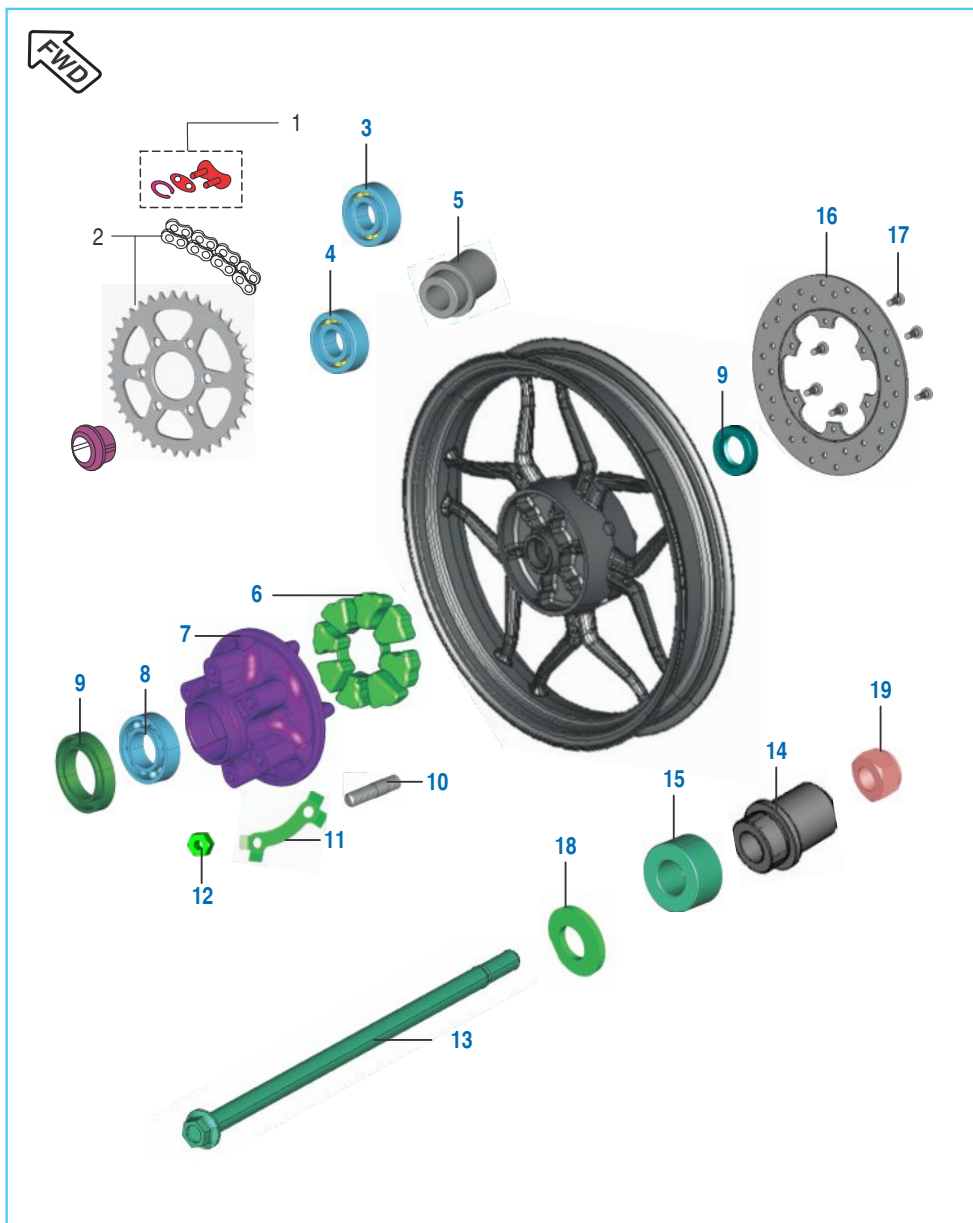
No.	Part No.	Description	Qty.	Remarks
1	DJ 1910 57	Lever Front Brake	1	
2	DJ 1910 29	Bolt Front Bracket I	1	
3	DJ 1910 30	Nut	1	
4	36 Dh19 02	Oil Window Kit	1	
5	DJ 1910 31	Screw	2	
6	DE 1910 29	Cover - Reservoir	1	
7	DE 1910 28	Diaphragm	1	
8	DJ 1910 56	Master Cylinder with lever	1	
9	DJ 2011 00	Brake Switch	1	
10	DE 1910 10	Washer - Copper	4	
11	DE 1910 11	Bolt - Banjo	2	
12	JL 1318 02	Hose Assembly	1	
13	LA D000 37	Bolt Flanged M8X1X50	2	
14	DJ 1910 23	Major Kit M-11	1	
15	DE 1910 33	Clamp - Holder : RH	1	

Front Disc Brake



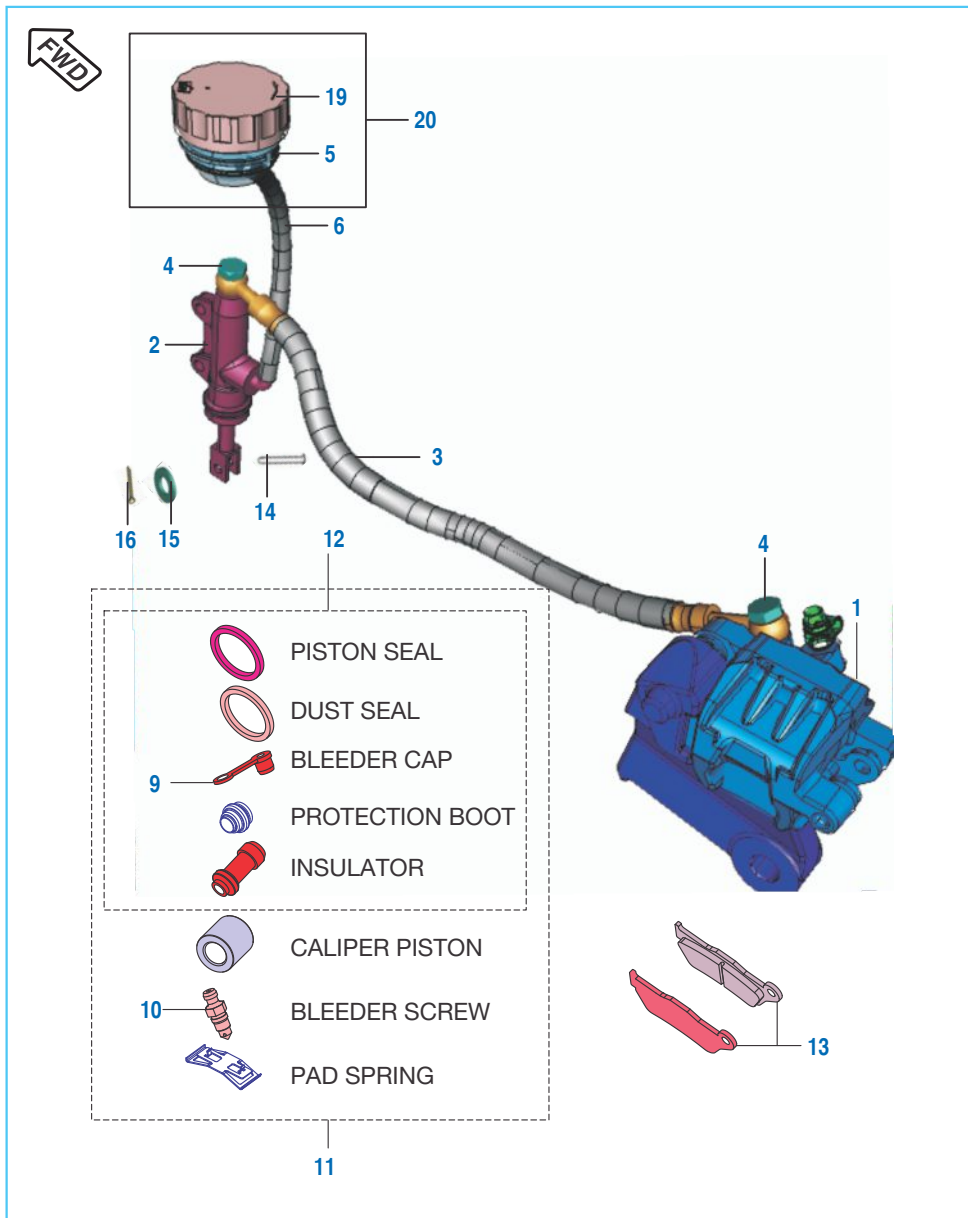
No.	Part No.	Description	Qty.	Remarks
1	JL 1318 04	Caliper Assy Brake Front	1	
2	JL 1318 06	Screw Bleeder	1	
3	DE 1510 47	Bleeder Cap	1	
4	JL 1318 07	Boot	1	
5	JL 1318 05	Disc Pad	1	
6	DJ 1510 74	Minor Kit	1	
7	DJ 1510 75	Major Kit	1	

Rear Hub



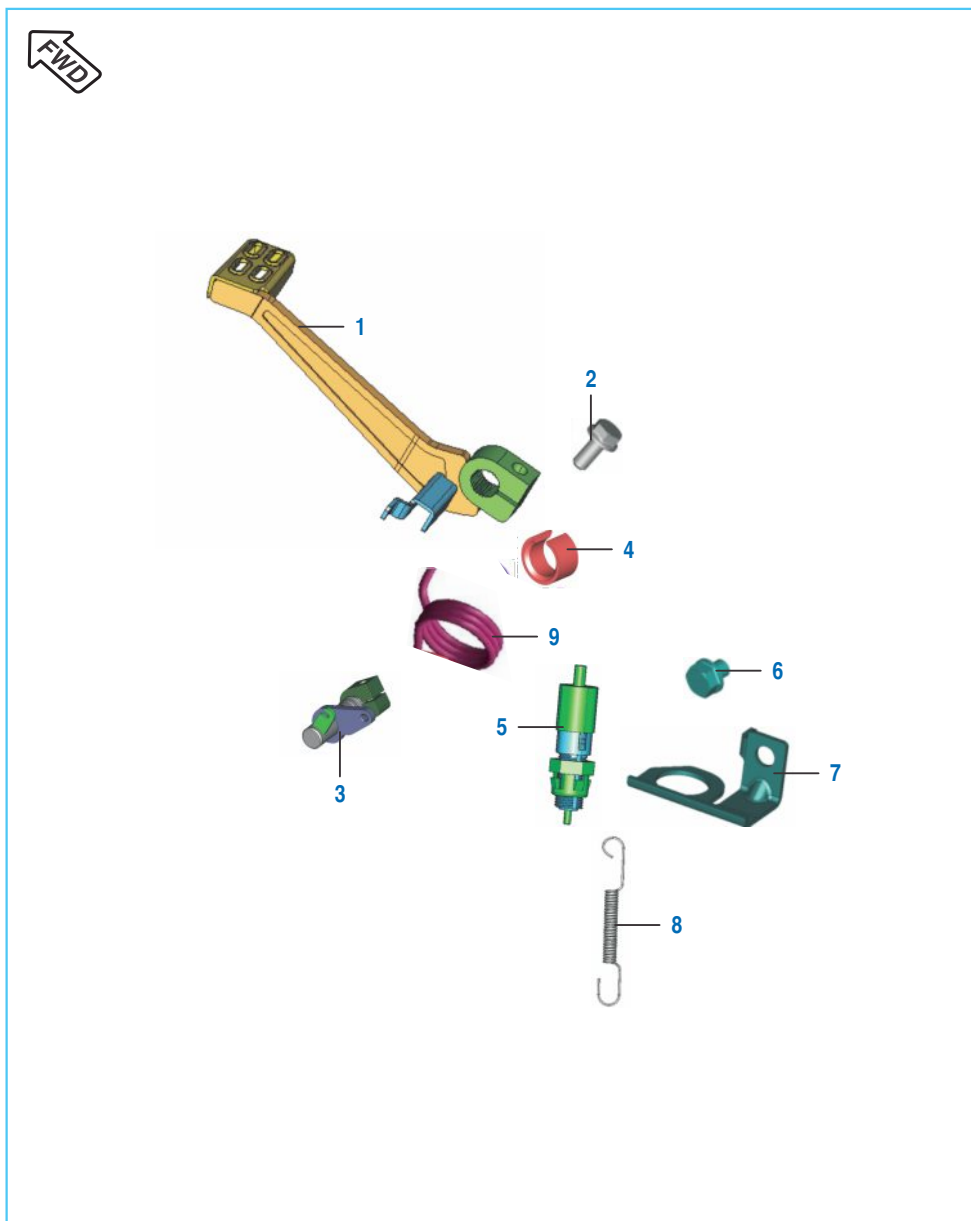
No.	Part No.	Description	Qty.	Remarks
1	DK 1510 36	Lock Set	1	
2	36 JL00 09	Kit Chain Sprocket	1	Refer Page No.107
3	39 2241 20	Bearing - Ball	1	
4	39 2242 20	Bearing - Ball	1	
5	JL 1312 16	Collar Bearing Assy	1	
6	JG 1312 19	Coupling Rubber	1	
7	JL 1312 25	Coupling	1	
8	DK 1510 13	Bearing Coupling	1	
9	DK 1510 12	Oil Seal	2	
10	LA A000 19	D Bolt	6	
11	JL 1312 26	Washer 6 Rubber	3	
12	LC A000 09	Nut	6	
13	JL 1312 03	Axle	1	
14	DK 1510 15	Sleeve	1	
15	JL 1312 11	Spacer for Coupling	1	
16	JL 1312 18	Disc Rear	1	
17	52 JL01 42	Assembly Disc Rear JL Khi (black)	1	Ref. Ser. Cir. D-62
18	39 2038 04	Bolt Hex	6	
19	LD B000 09	Washer	2	
20	DK 1510 81	Spacer I	1	
21	DK 1510 82	Spacer II	1	

Rear Disc Brake System



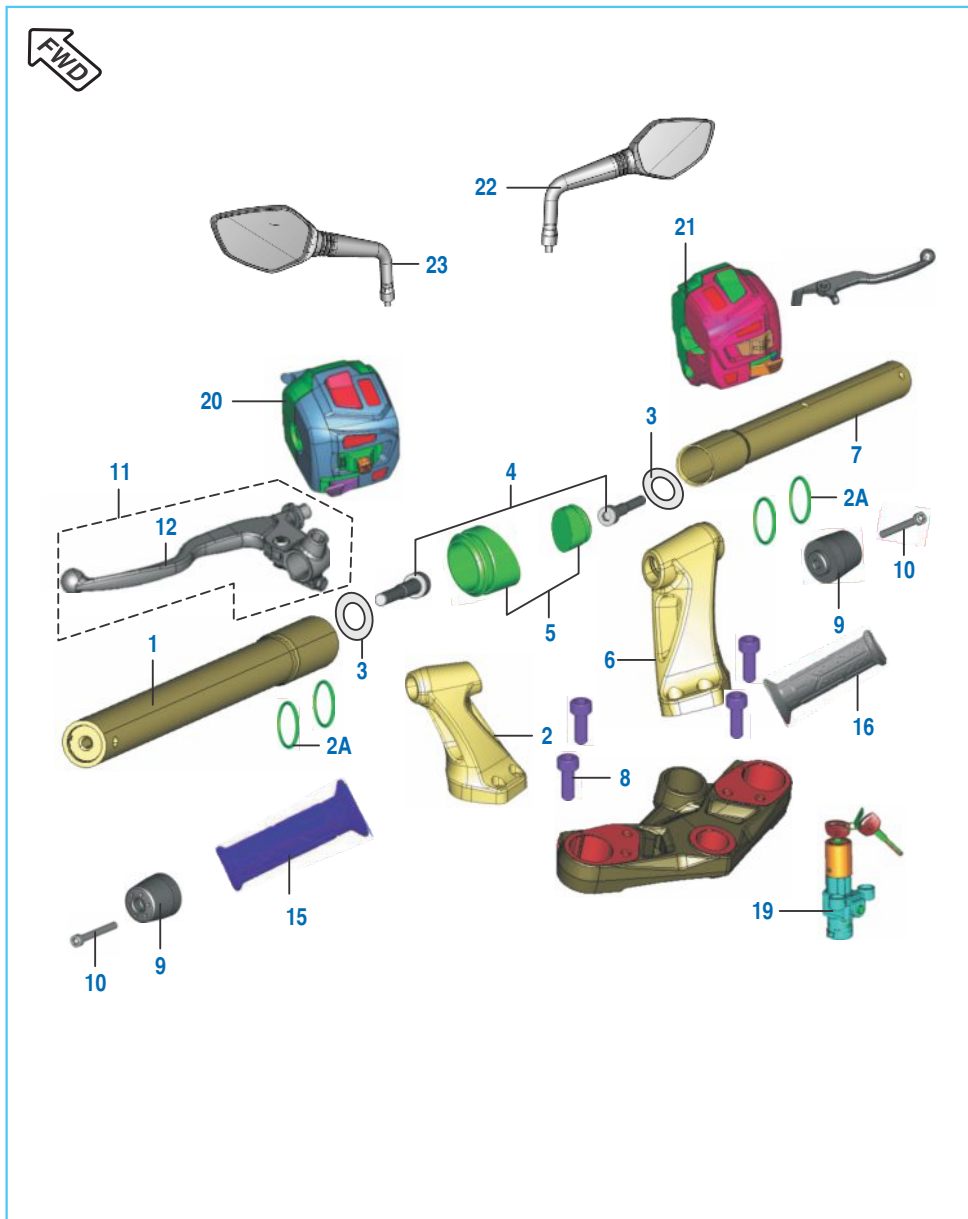
No.	Part No.	Description	Qty.	Remarks
1	DK 1510 83	Assembly Caliper	1	
2	DK 1510 31	Assembly Master Cyl. Rear	1	
3	JL 1318 03	Hose Disc Brake Rear	1	
4	DK 1510 69	Banjo Bolt	2	
5	JG 1318 21	Reservoir Rear Brake	1	Without Cap
6	JL 1312 20	Hose - Reservoir	1	
7	DK 1510 63	Clip Reservoir	1	Cap Reservoir
8	DE 1910 10	Copper Washer	4	Banjo Bolt
9	DE 1510 47	Cap Bleeder Screw	1	
10	DE 1510 46	Bleeder Screw	1	
11	DK 1510 88	Caliper Piston Kit	1	
12	DK 1510 89	Caliper Piston Seal Kit	1	
13	DK 1510 85	Set Disc Pad	1	
14	30 1910 38	Pin	1	
15	39 0198 11	Washer	1	
16	39 0808 08	Split Pin	1	
17	DK 1510 73	Master Cyl. Major Kit	1	N.I.
18	DK 1510 74	Master Cyl. Minor Kit	1	N.I.
19	DK 1510 45	Cap Reservoir	1	
20	36 JG00 18	Reservoir with Cap	1	
21	KB BA05 12	Screw Pan Cross	1	Ref Ser. Cir. D-62
22	JL 1318 41	Bracket- Reservoir mounting	1	Ref Ser. Cir. D-57
23	JL 1318 78	Bracket Reservoir cap	1	Ref Ser. Cir. D-57
24	39 2420 01	Screw	1	Ref Ser. Cir. D-57
25	JL 1318 77	Clamp Hose Reservoir	1	Ref Ser. Cir. D-59

Rear Brake Pedal



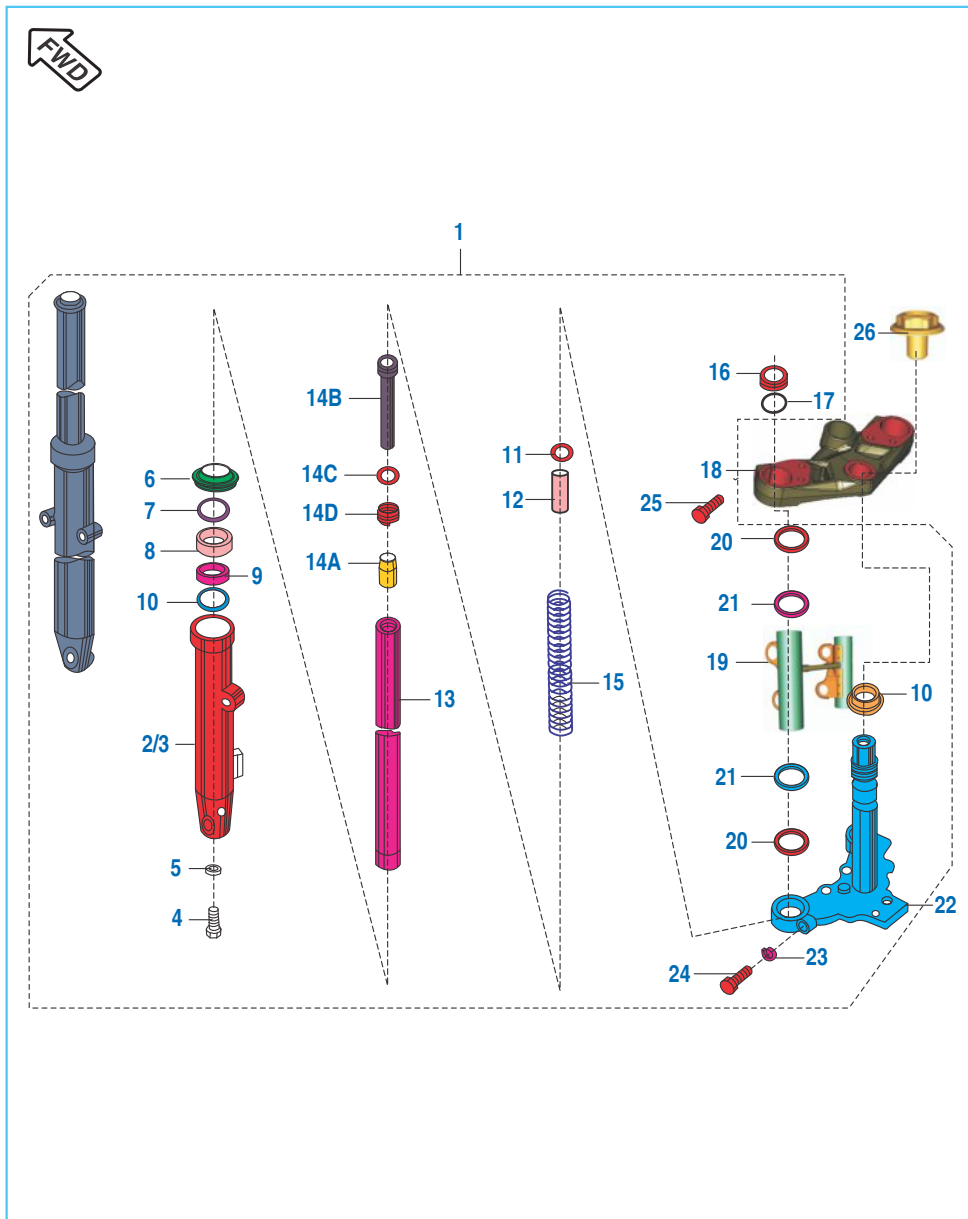
No.	Part No.	Description	Qty.	Remarks
1	JL 1610 01	Brake Pedal	1	
2	39 1769 04	Bolt - Flanged : M8	1	
3	JL 1610 10	Shaft Assy Brake Lever	1	
4	DH 1910 13	Spacer Brake Shaft assly.	1	
5	31 2010 79	Switch - Rear Brake	1	
6	39 2475 04	Hex. head bolt	1	
7	JL 1130 33	Bracket Rear brake switch	1	
8	JL 1610 06	Spring Rear Brake Switch	1	
9	DH 1910 06	Spring - Brake Pedal	1	

Handle Bar Assly



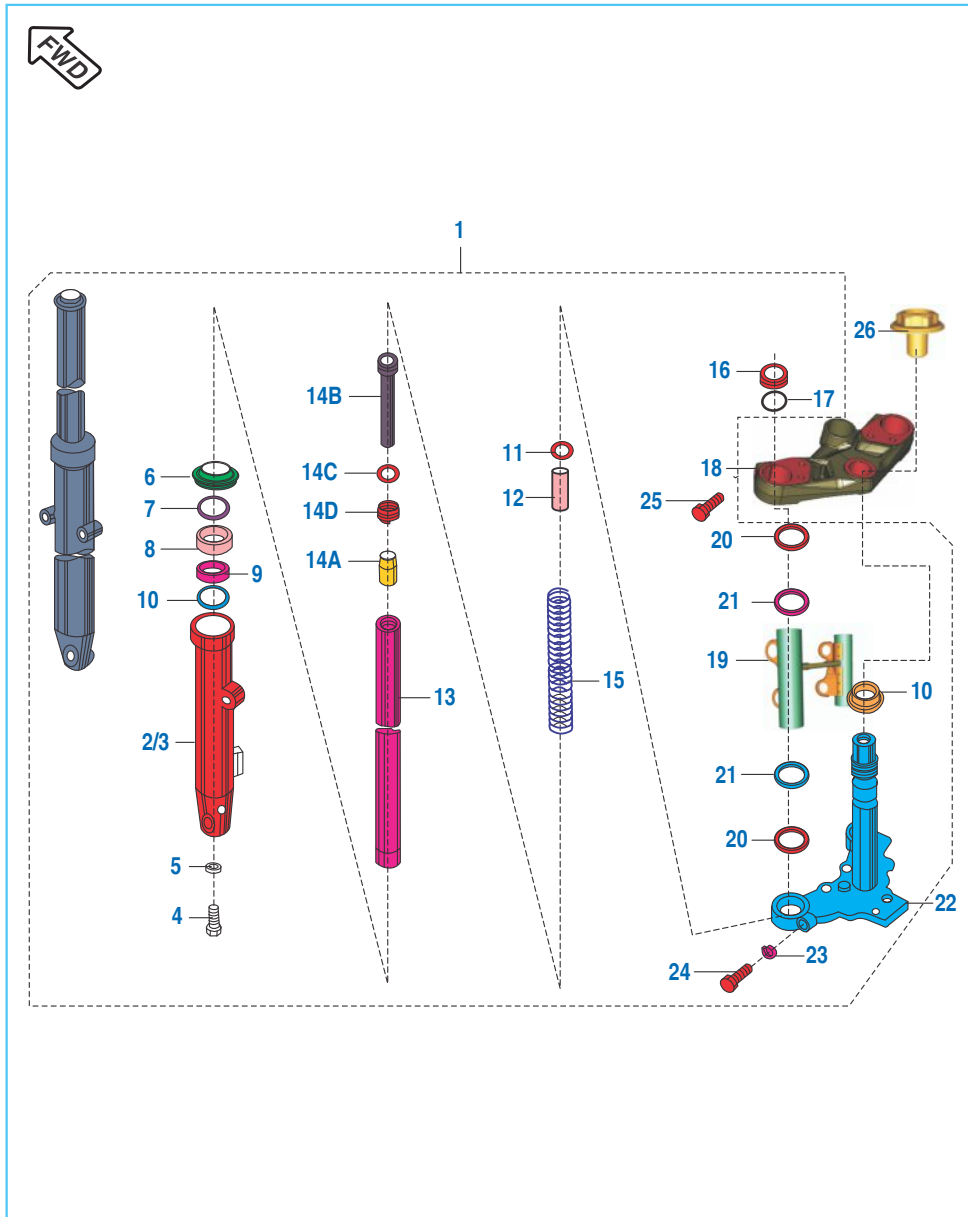
No.	Part No.	Description	Qty.	Remarks
1	JL 1510 21	Handle Bar Tube LH assly.	1	
2	JL 1510 26	Holder Handle LH	1	
	56 JL31 5X	Handle Holder LH Stoic Black	1	Ref. Ser. Cir. D-62
2A	JL 1510 38	O ring	4	
3	39 1180 11	Washer - Plain	2	
4	LA C000 20	Bolt Socket M8X1.25Px55L	2	
5	JL 1510 28	Plug Handle Holder	2	
6	JL 1510 30	Holder Handle RH	1	
	56 JL32 5X	Handle Holder RH Stoic Black	1	Ref. Ser. Cir. D-62
7	JL 1510 34	Handlebar Tube Assy RH	1	
8	DG 1810 08	Bolt - Socket	4	
9	JL 1510 35	Handlebar Weight	2	
10	39 2427 04	Bolt - Hexagon Socket Head Cap:M6	2	
11	DJ 1910 82	Lever & Support Holder Assly LH	1	
12	DJ 1910 83	Lever LH For New Clutch Switch	1	
13	DJ 2012 46	Clutch Switch (6Amp Diode)	1	N.I.
15	JL 1610 03	Handle Grip LH	1	
16	JL 1610 08	Grip Hand Assy RH	1	
17	DH 1910 17	Pipe - Throttle	1	N.I.
18	JL 1510 23	Lock Set 3 In 1	1	
19	JL 4014 03	Switch Ignition	1	
20	JL 4014 00	Switch Control LH	1	
21	JL 4014 01	Switch Control RH	1	
22	JL 2316 01	Mirror Assy RH	1	
23	JL 2316 00	Mirror Assy LH	1	

Front Fork



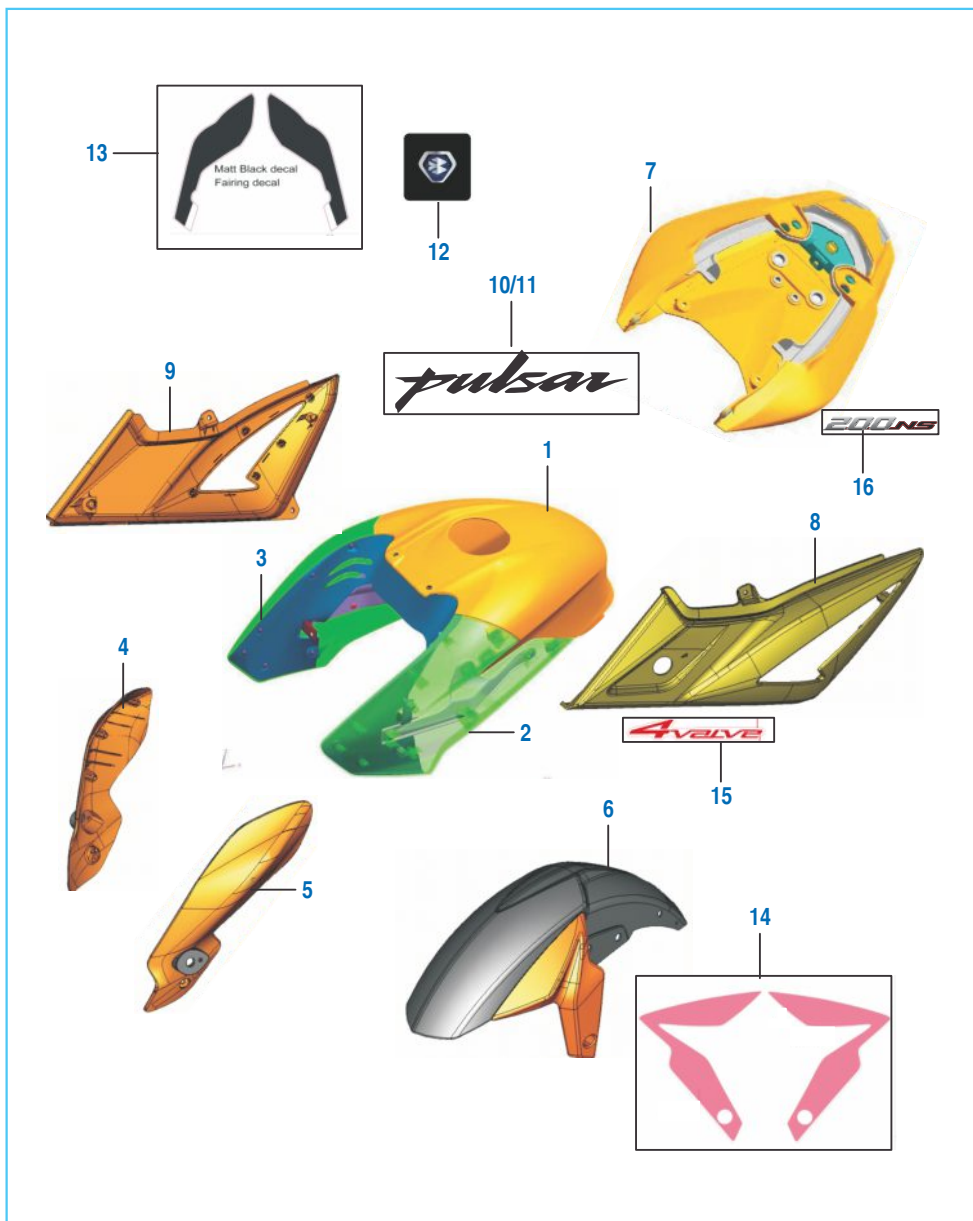
No.	Part No.	Description	Qty.	Remarks
1	JL 1510 24	Fork Assly- Front	1	
2	JL 1510 02	Tube Outer LH	1	
3	JL 1510 03	Tube Outer RH	1	
4	DK 1810 06	Socket Headed Bolt - M10 X1.5X35	2	
5	DK 1810 07	Copper Washer	2	
6	DK 1810 21	Inner Dust Seal	2	
7	DK 1810 18	Washer Seal	2	
8	DK 1810 19	Oil Seal	2	
9	DK 1810 17	Guide Bush	2	
10	DK 1810 20	Oil Seal Stopper	2	
11	DK 1810 15	Washer	2	
12	JL 1510 12	Spacer Tube	2	
13	JL 1510 04	Fork Pipe Inner	2	
14A	DK 1810 09	Cap Oil Lock	2	
14B	DK 1810 10	Seat Pipe	2	
14C	DK 1810 12	Piston Ring	2	
14D	DK 1810 13	Rebound Spring	2	
15	JL 1210 01	Spring Main Spring	2	
16	DK 1810 22	Fork Bolt	2	
17	DK 1810 23	O' Ring	2	
18	JL 1510 32	Upper Bracket	1	
56	JL33 5X	Upper Bracket Stoic Black	1	Ref. Ser. Cir. D-62
19	JL 1812 35	Lamp Shade Assy	1	
20	JC 1810 23	Cover Cushion	4	
21	JC 1810 22	Cove Trail B	4	

Front Fork



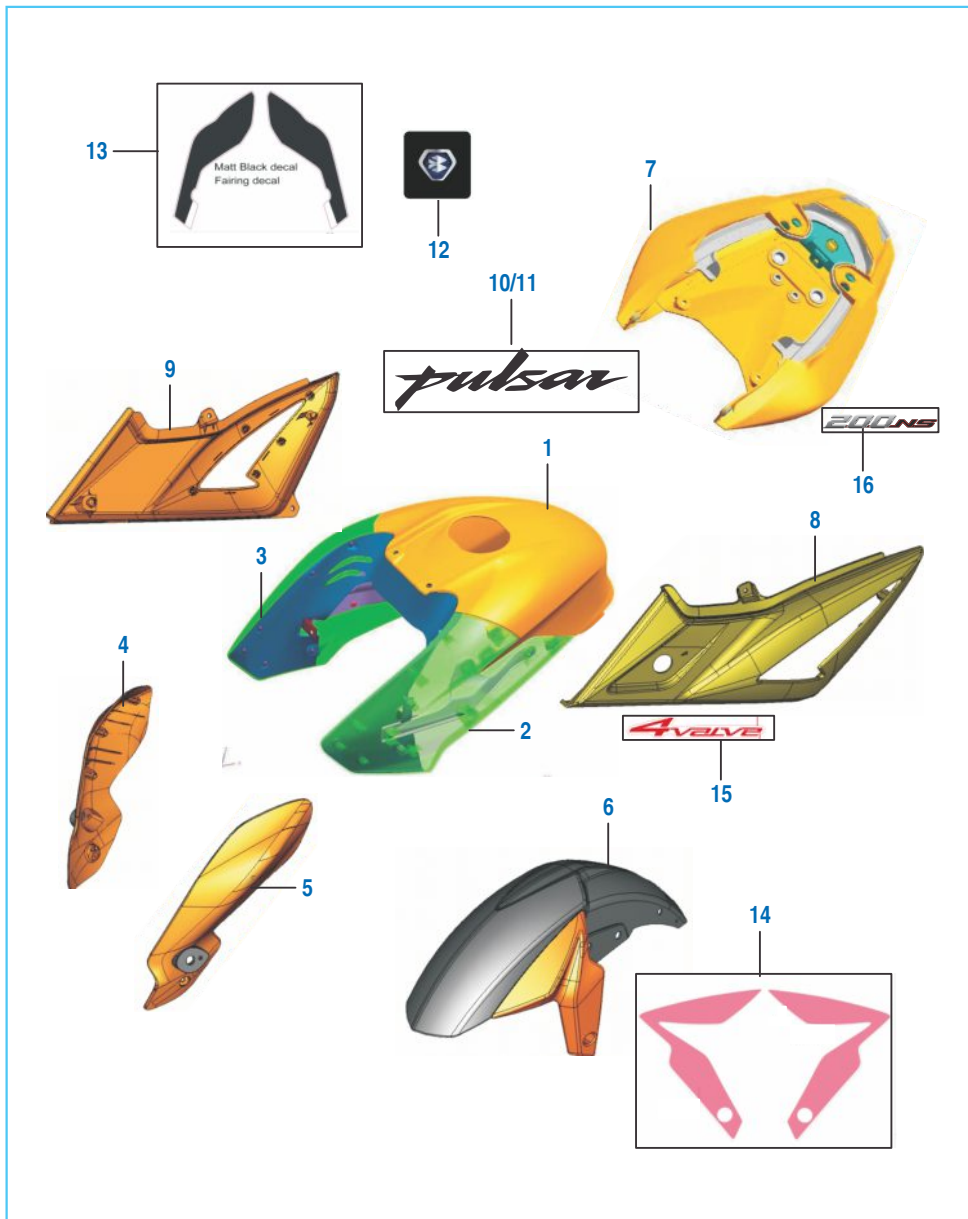
No.	Part No.	Description	Qty.	Remarks
22	JL 1510 37	Under Bkt Assy Complete	1	
23	DK 1810 25	Spring Washer	2	
24	DK 1810 28	Bolt	2	
25	DG 1810 08	Bolt - Socket	2	
26	JL 1510 36	Steering Top Bolt	1	

Painted Parts and Decals



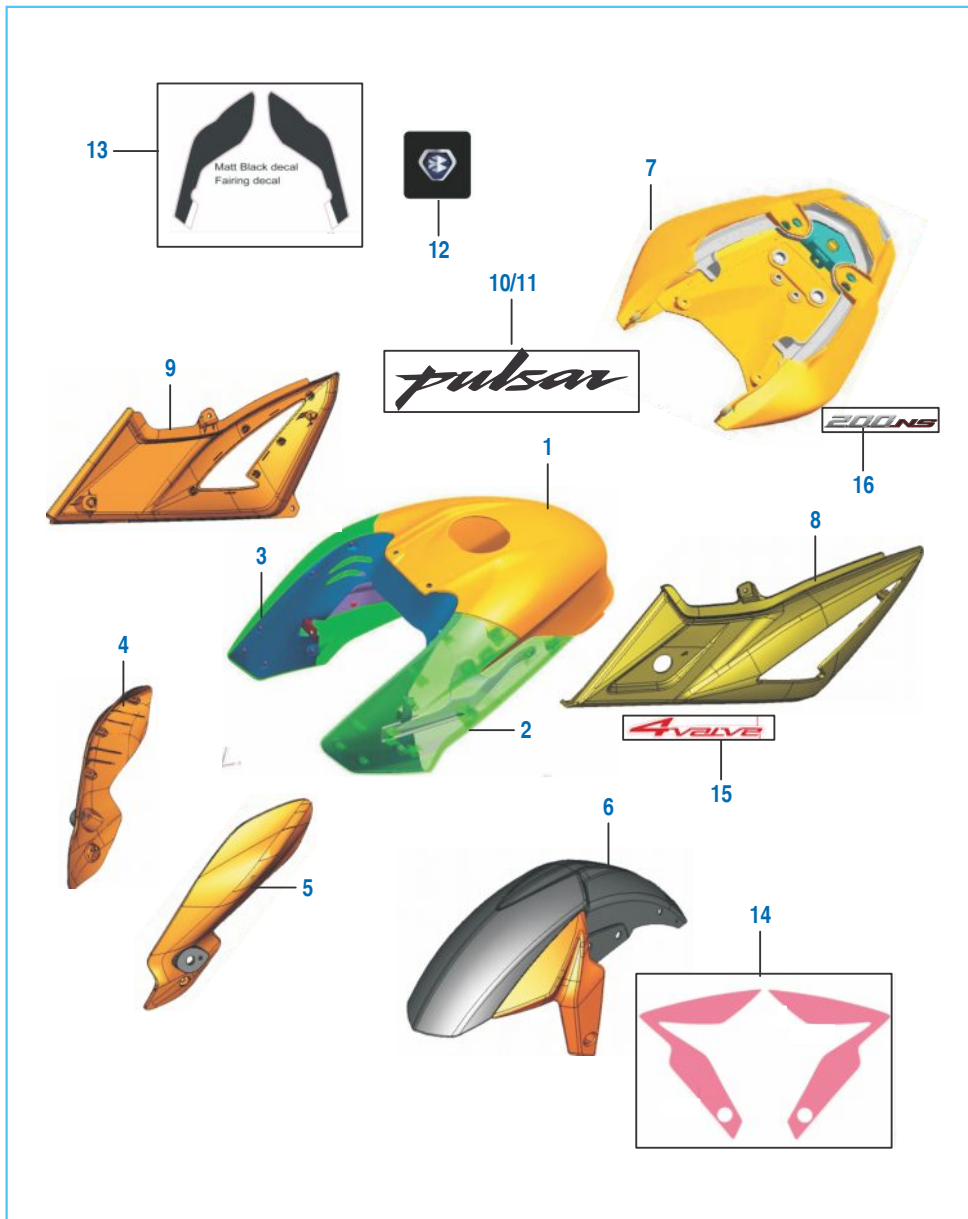
No.	Part No.	Description	Qty.	Remarks
1	JL 7401 5P	Tank Cover Top P200 Blue	1	
	JL 7401 5N	Tank Cover Top P200 Black	1	
	JL 7401 5Q	Tank Cover Top P200 Yellow	1	
	JL 7401 5M	Tank Cover Top P200 Red	1	
	JL 7401 X3	Tank Cover Top JL 200 Eb Black	1	Ref. Ser. Cir. D-62
2	JL 7301 5P	Tank Cover Side LH - Blue	1	
	JL 7301 5N	Tank Cover Side LH - Black	1	
	JL 7301 5Q	Tank Cover Side LH - Yellow	1	
	JL 7301 5M	Tank Cover Side LH - Red	1	
	52 JL02 16	Tank Cover Side LH Passion Red	1	Ref. Ser. Cir. D-62
	52 JL02 18	Tank Cover Side LH Saffire Blue	1	Ref. Ser. Cir. D-62
	56 JL20 X3	Tank Cover Side LH Ebony Black	1	Ref. Ser. Cir. D-62
	52 JL02 20	Tank Cover Side LH Metallic White	1	Ref. Ser. Cir. D-62
3	JL 7302 5P	Tank Cover Side RH - Blue	1	
	JL 7302 5N	Tank Cover Side RH - Black	1	
	JL 7302 5Q	Tank Cover Side RH - Yellow	1	
	JL 7302 5M	Tank Cover Side RH - Red	1	
	52 JL02 17	Tank Cover Side RH Passion Red	1	Ref. Ser. Cir. D-62
	56 JL21 X3	Tank Cover Side RH Ebony Black	1	Ref. Ser. Cir. D-62
	52 JL02 19	Tank Cover Side RH Saffire Blue	1	Ref. Ser. Cir. D-62
	52 JI02 21	Tank Cover Side RH Metallic White	1	Ref. Ser. Cir. D-62

Painted Parts and Decals



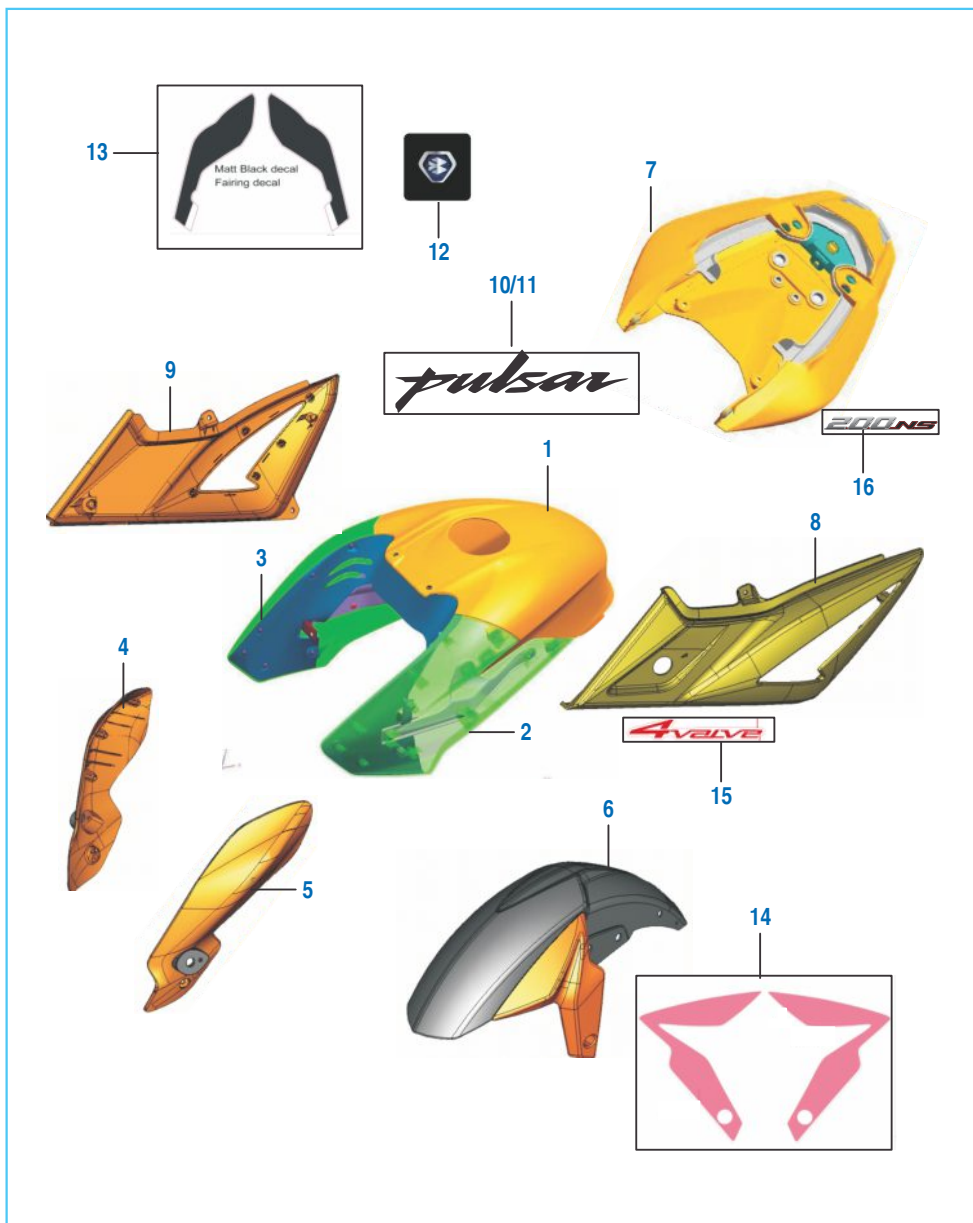
No.	Part No.	Description	Qty.	Remarks
4	JL 7602 5P	Side Mask RH - Blue	1	
	JL 7602 5N	Side Mask RH - Black	1	
	JL 7602 5Q	Side Mask RH - Yellow	1	
	JL 7602 5M	Side Mask RH - Red	1	
	52 JL01 92	Side Mask RH E Black	1	Ref. Ser. Cir. D-62
	52 JL01 94	Side Mask RH P Red	1	Ref. Ser. Cir. D-62
	52 JL01 96	Side Mask RH S Blue	1	Ref. Ser. Cir. D-62
	52 JL01 98	Side Mask RH M White	1	Ref. Ser. Cir. D-62
	5	JL 7601 5P	Side Mask LH - Blue	1
JL 7601 5N		Side Mask LH - Black	1	
JL 7601 5Q		Side Mask LH - Yellow	1	
JL 7601 5M		Side Mask LH - Red	1	
52 JL01 91		Side Mask LH E Black	1	Ref. Ser. Cir. D-62
52 JL01 93		Side Mask LH P Red	1	Ref. Ser. Cir. D-62
52 JL01 95		Side Mask LH S Blue	1	Ref. Ser. Cir. D-62
52 JL01 97		Side Mask LH M White	1	Ref. Ser. Cir. D-62
6		52 JL00 65	Front Fender Blue	1
	52 JL00 66	Front Fender Black	1	
	52 JL00 67	Front Fender Yellow	1	
	52 JL00 59	Front Fender Red	1	
	52 JL01 87	Fender Fr with Guide & Flap E Blk	1	Ref. Ser. Cir. D-62
	52 JL01 88	Fender Fr with Guide & Flap P Red	1	Ref. Ser. Cir. D-62
	52 JL01 89	Fender Fr with Guide & Flap S Blue	1	Ref. Ser. Cir. D-62
	52 JL01 90	Fender Fr with Guide & Flap M White	1	Ref. Ser. Cir. D-62

Painted Parts and Decals



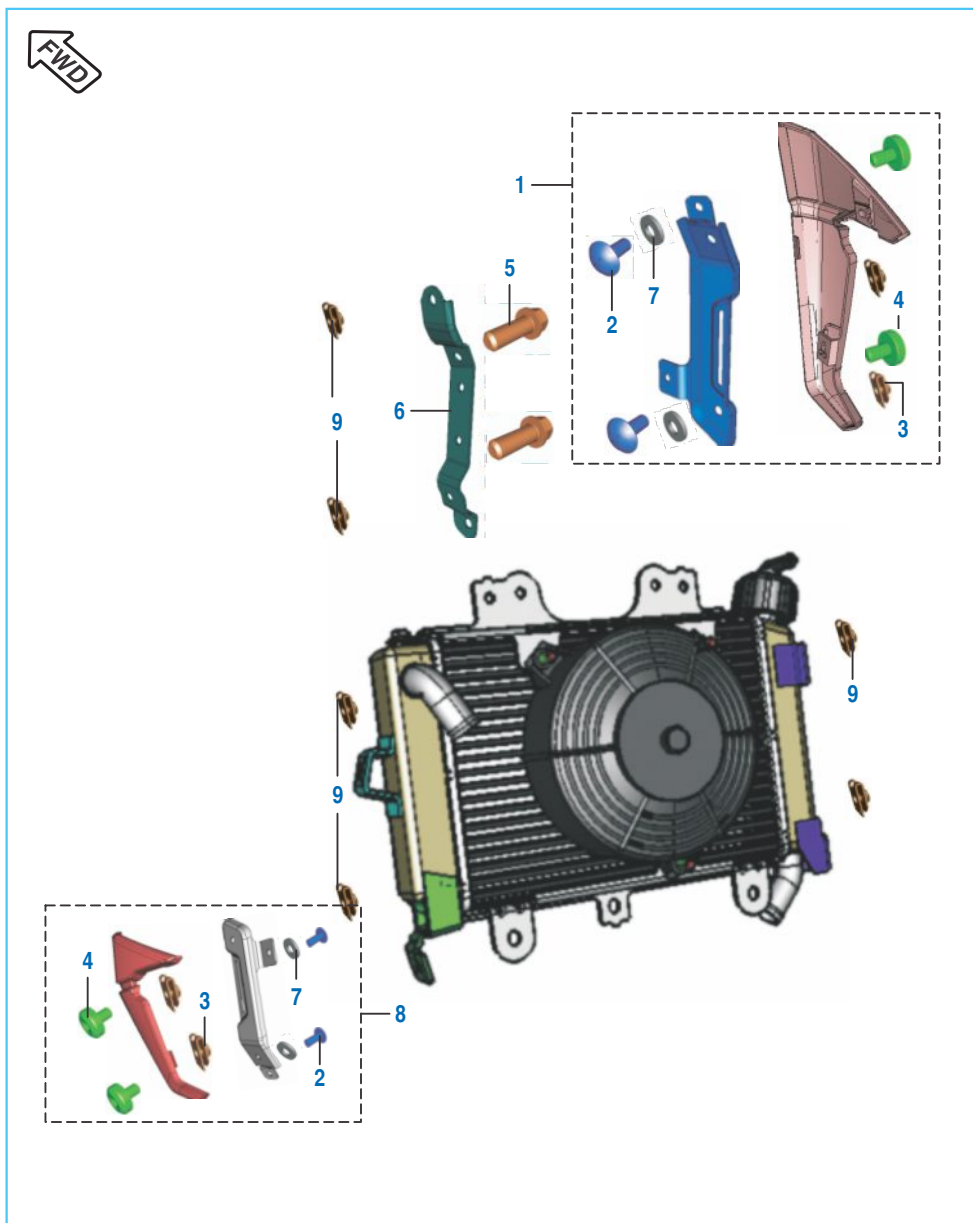
No.	Part No.	Description	Qty.	Remarks
7	JL 7801 5P	Seat Cowl - Blue	1	
	JL 7801 5N	Seat Cowl - Black	1	
	JL 7801 5Q	Seat Cowl - Yellow	1	
	JL 7801 5M	Seat Cowl - Red	1	
	56 JL10 4R	Seat Cowl Passion Red	1	Ref. Ser. Cir. D-62
	56 JL10 5N	Seat Cowl Saffire Blue	1	Ref. Ser. Cir. D-62
	56 JL10 5Y	Seat Cowl Metallic White	1	Ref. Ser. Cir. D-62
56 JL10 X3	Seat Cowl Ebony Black	1	Ref. Ser. Cir. D-62	
8	52 JL00 54	Cover Side LH Assly	1	
9	52 JL00 55	Cover Side RH Assly	1	
10	JL 2330 04	3D Decal Tank RH	1	
11	JL 2330 03	3D Decal Tank LH	1	
12	JL 2330 02	'B' Logo	1	
13	36 JL00 26	Fairing DCL	1	Common
	36 JL00 49	Kit Dcl Fairing P Red	1	Ref. Ser. Cir. D-62
	36 JL00 48	Kit Dcl Fairing S Blue	1	Ref. Ser. Cir. D-62
	36 JL00 63	Kit Dcl Fairing M White	1	Ref. Ser. Cir. D-62
14	36 JL00 27	Fender DCL-Red	1	
	36 JL00 28	Fender DCL-Blue	1	
	36 JL00 29	Fender DCL-Black	1	
	36 JL00 30	Fender DCL-Yellow	1	
	36 JL00 61	Kit Dcl Fender P Red	1	Ref. Ser. Cir. D-62
	36 JL00 60	Kit Dcl Fender S Blue	1	Ref. Ser. Cir. D-62
	36 JL00 64	Kit Dcl Fender E Black	1	Ref. Ser. Cir. D-62
36 JL00 65	Kit Dcl Fender M White	1	Ref. Ser. Cir. D-62	

Painted Parts and Decals



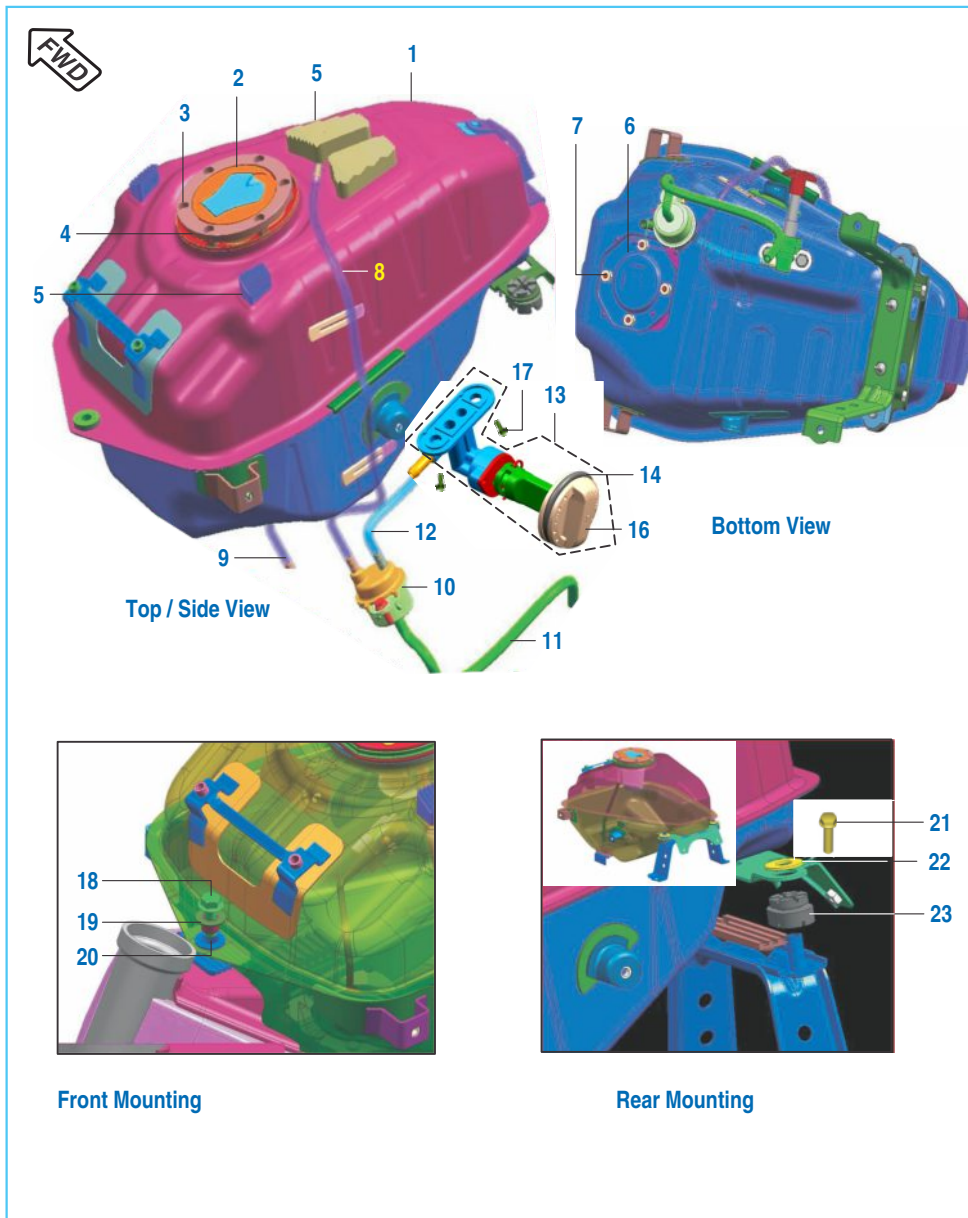
No.	Part No.	Description	Qty.	Remarks
15	JL 2330 05	Decal Side Cover 4 Valve	2	
16	JL 2330 06	Decal Seat Cowl 200 NS	2	
	36 JL00 58	Kit Dcl S Cowl P Red	1	Ref. Ser. Cir. D-62
	36 JL00 57	Kit Dcl S Cowl S Blue	1	Ref. Ser. Cir. D-62
	36 JL00 66	Kit Dcl S Cowl M White	1	Ref. Ser. Cir. D-62
17	36 JL00 54	Kit Dcl Spoiler P Red	1	Ref. Ser. Cir. D-62
	36 JL00 55	Kit Dcl Spoiler S Blue	1	Ref. Ser. Cir. D-62
	36 JL00 67	Kit Dcl Spoiler M White	1	Ref. Ser. Cir. D-62
18	36 JL00 53	Kit Dcl Tank Lower P Red	1	Ref. Ser. Cir. D-62
	36 JL00 52	Kit Dcl Tank Lower S Blue	1	Ref. Ser. Cir. D-62
	36 JL00 68	Kit Dcl Tank Lower M White	1	Ref. Ser. Cir. D-62

Radiator Covers



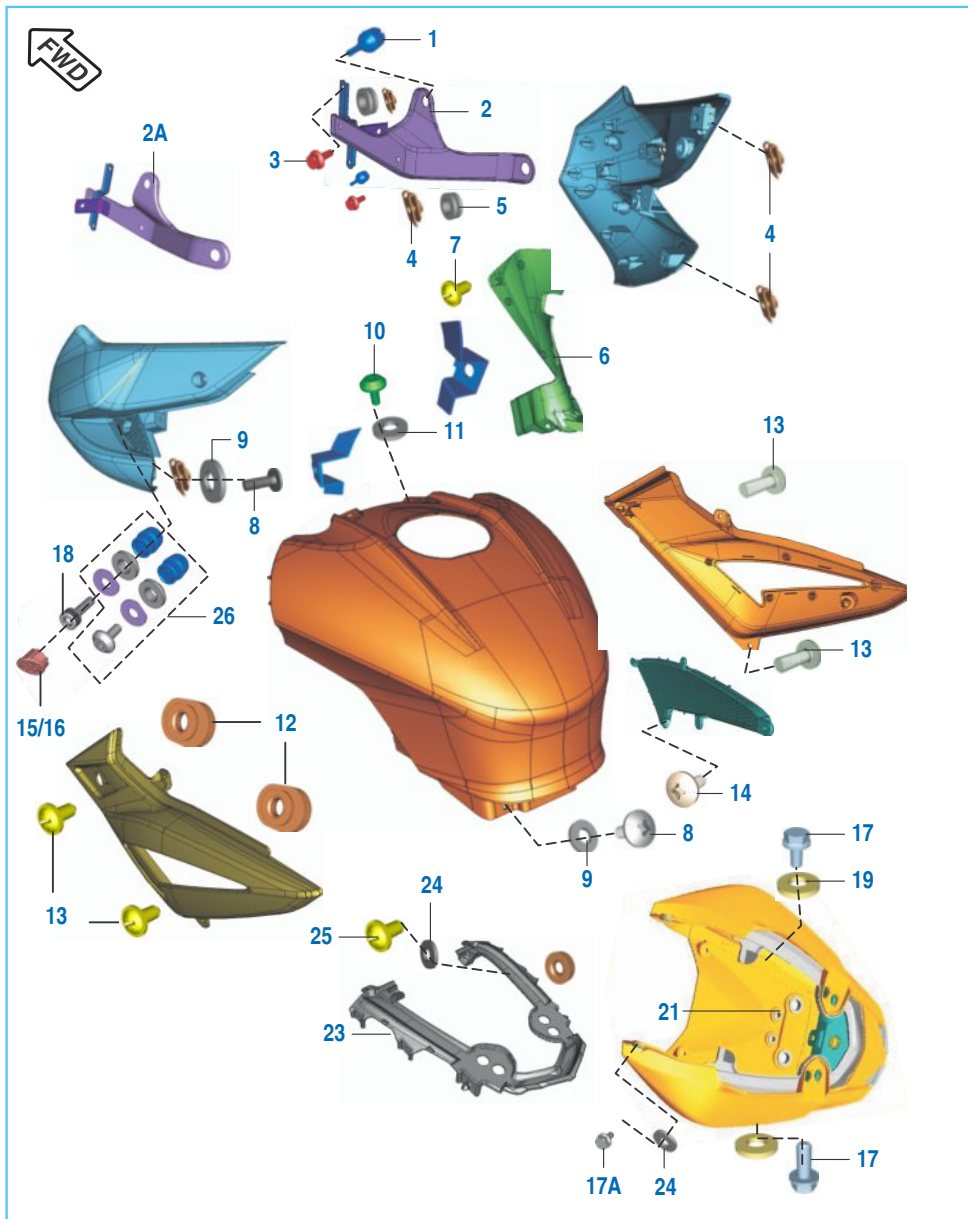
No.	Part No.	Description	Qty.	Remarks
1	JL 1812 29	Shroud Assy RH	1	
2	KB UB05 12	Screw Trus	4	
3	JW 1812 36	Clip Nut M5	4	
4	KB UA06 12	Screw - Truss	4	
5	39 1672 04	Bolt - Flange : M6 X 16	2	
6	JL 1812 32	Shroud Mtg Bkt RH	1	
7	39 2141 24	Washer (Non Metallic Round Washer)	4	
8	JL 1812 26	Shroud Assy LH	1	
9	DJ 1810 65	Clip Nut M5	4	

Petrol Tank, Cap Tank and Gauge Fuel



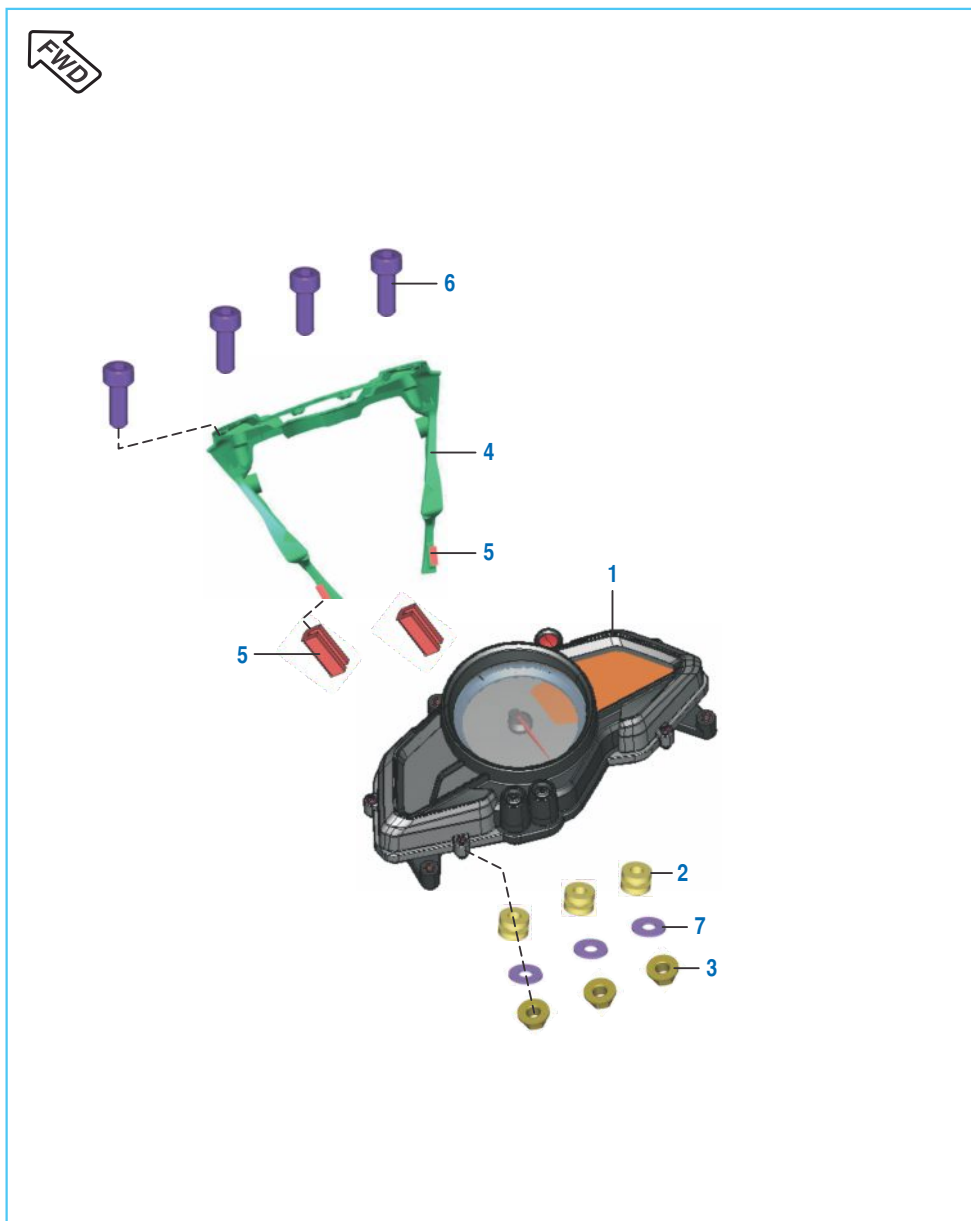
No.	Part No.	Description	Qty.	Remarks
1	JL 1710 44	Tank Assembly	1	
	JL 1710 81	Tank Assembly	1	Ref. Ser. Cir. D-60
2	JL 1716 00	Cap Tank	1	
	56 JL04 01	Cap Tank (Moon Light Silver)	1	Ref. Ser. Cir. D-62
3	39 2381 04	Bolt - Hexagon Socket Head Cap:M5	6	
4	JL 1710 49	Damper Ring Tank Cap	1	
5	36 J100 12	Kit Tank Damper	1	
6	JL 4026 00	Sensor Fuel Level	1	
	JL 4026 02	Sensor Fuel Level	1	Ref. Ser. Cir. D-60
6A	39 2758 21	'O' ring for Fuel Sensor	1	N.I.
7	39 2484 15	Nut - Flange M5	4	
8	JL 1710 37	Breather Tube	1	
9	JL 1710 63	Pipe - Drain	1	
10	JL 1718 02	Filter Inline	1	
11	JL 1710 36	Tube Fuel (Carburettor)	1	
12	JL 1710 35	Tube Fuel (Tank)	1	
13	JL 1718 00	Tap Fuel Assembly	1	
14	JL 1710 60	O Ring-For Knob	1	
15	JL 1718 03	Pin Snap For Knob	1	
16	JL 1718 01	Knob Fuel Tap	1	
17	DD 1410 22	Bolt - Flanged	2	
18	39 1946 04	Bolt Tank mtg Front	1	
19	JL 1710 19	Sleeve Tank Mtg Front	3	
20	JL 1710 18	Grommet Tank Mtg Front	1	
21	39 1943 04	Bolt	2	
22	39 1054 11	Washer Plain	2	
23	JL 1710 20	Grommet Tank Mtg Rear	2	
24	JL 1710 96	Sealing Ring Fuel Cock	1	N.I.

Fittings - Petrol Tank Cover, Side Covers & Cover Seat



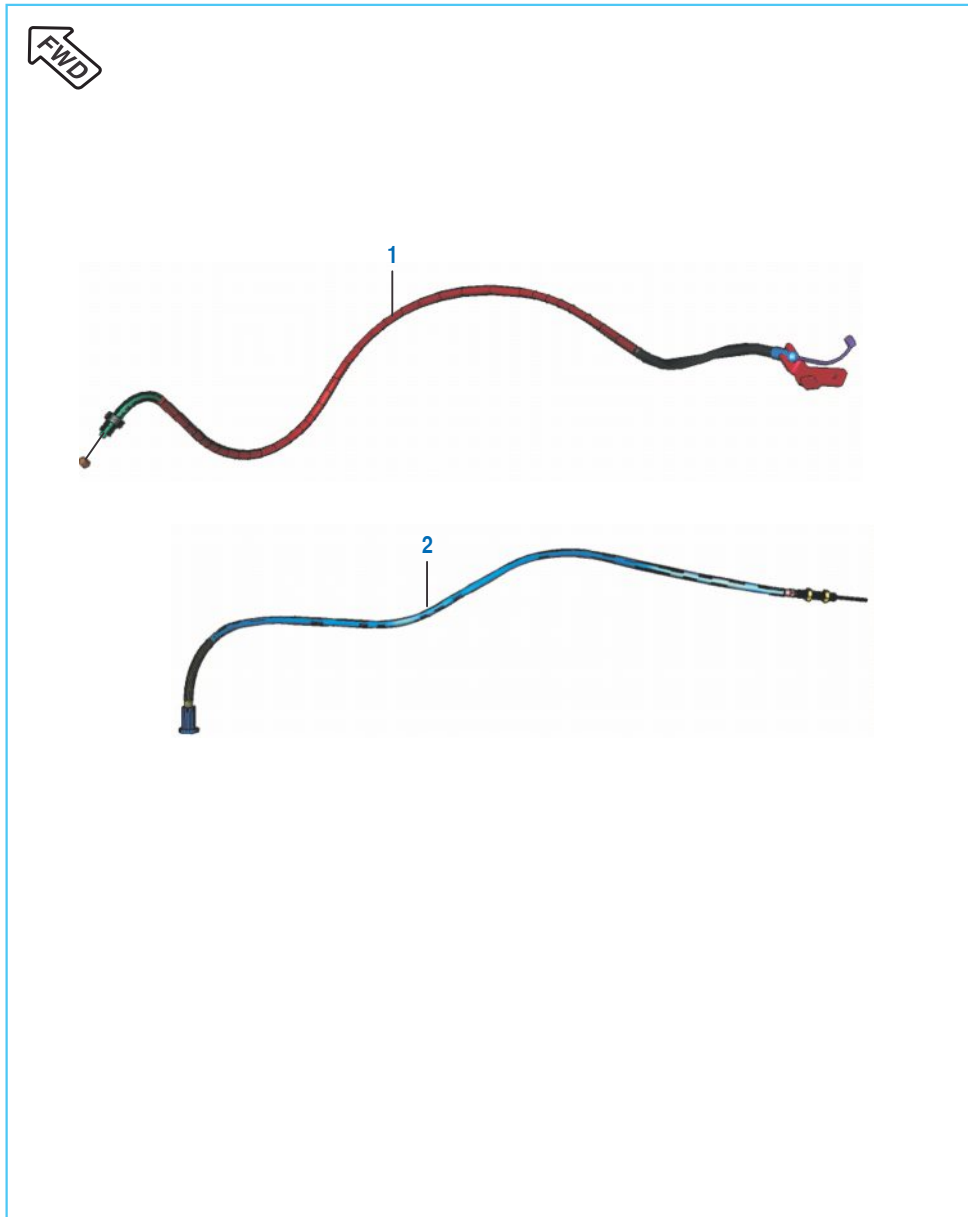
No.	Part No.	Description	Qty.	Remarks
1	JL 1710 57	Damper	4	
2	JL 1710 23	Bracket Side Cover Mtg RH	1	
2A	JL 1710 22	Bracket Side Cover Mtg LH	1	
3	39 2060 04	Bolt - Flanged	4	
4	DJ 1612 29	Clip Nut	16	
5	JL 1710 24	Damper Structure Mtg	2	
6	JL 1710 48	Tank Cover Central	1	
7	39 1778 02	Screw - Tapping : 4 X 14	12	Center Cowling Mtg.
8	39 1907 01	Screw - Truss Cross : M5	8	
	LB U000 09	Screw	2	Ref. Ser. Cir. D-62
9	39 2141 24	Washer (Non Metallic Round Washer)	8	
10	LA C000 22	Bolt Socket-Special Head	4	
11	31 1610 78	Washer	4	
12	JL 1812 93	Grommet Side Cover	4	Ref. Ser. Cir. D-62
13	39 1781 01	Screw	4	
14	59 0200 01	Screw Self Tapping 3.5X9.5	10	
15	JL 1710 62	Cover Mesh Rh	1	
16	JL 1710 61	Cover Mesh LH	1	
17	59 0400 14	Bolt Flanged M6X1	4	
17A	39 1943 04	Bolt - Flanged	2	
18	39 1197 04	Bolt - Socket : M6	2	
19	39 0239 11	Washer	2	
20	39 1076 01	Screw - M6	2	
21	DL 1610 15	Grommet	2	
22	JL 1812 19	Grommet	2	
23	JL 1812 14	Seal cowl inner	1	
24	LD A000 07	Washer Plain Small	4	
25	39 1776 02	Screw	4	
26	36 JL00 31	Kit Tank Cover Mtg Hardware	1	
27	KB UA06 12	Screw	2	Refer Cir. D-58

Meter Assembly



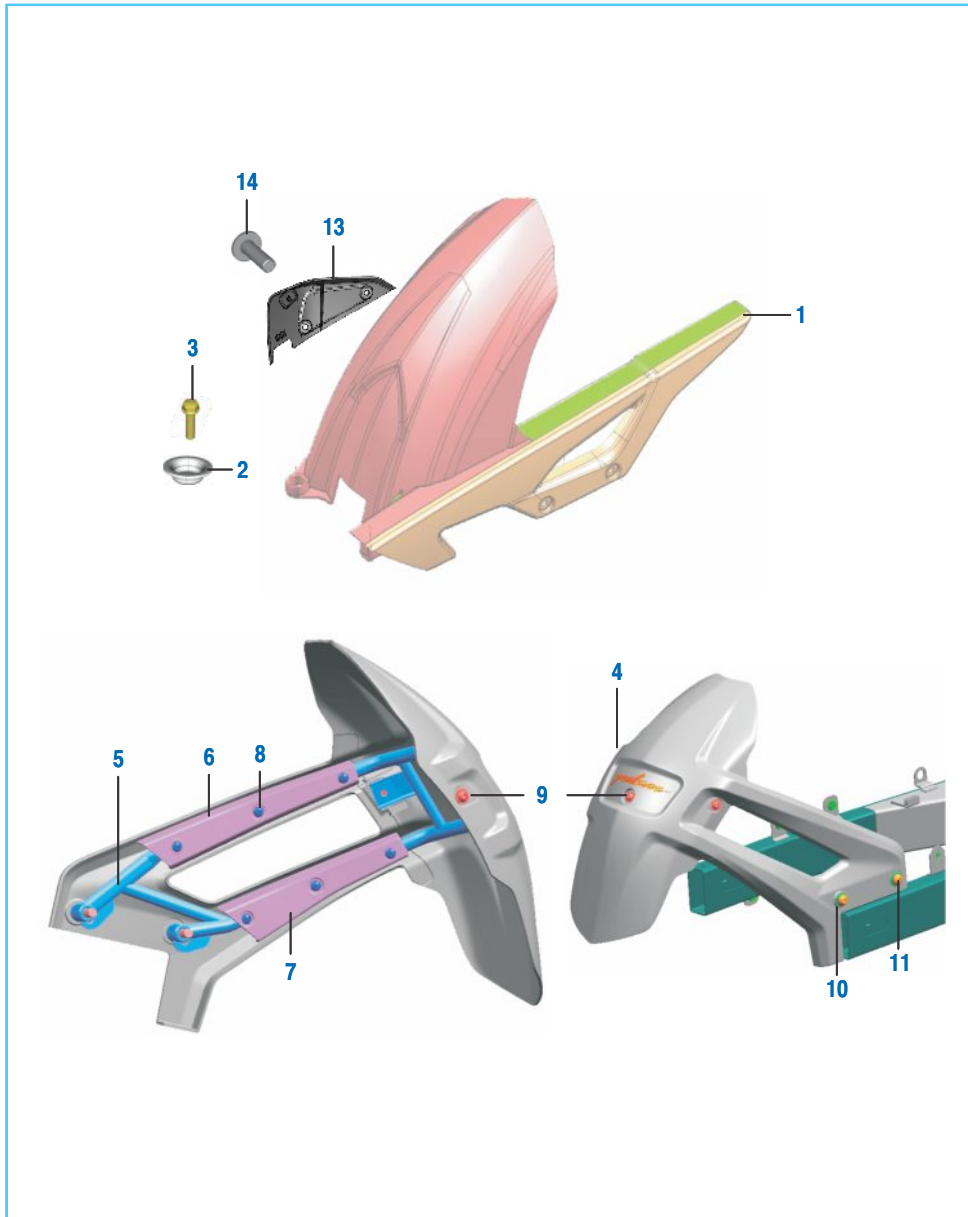
No.	Part No.	Description	Qty.	Remarks
1	JL 4024 00	Speedometer Assembly	1	
	JL 4024 05	Speedometer Assembly	1	Ref Ser. Cir. D-60
2	JG 1812 38	Grommet Dashboard	3	
3	39 0291 15	Nut - Hexagon M5 X 0.8	3	
	KC AA05 04	Nut Hex Thick	3	Ref Ser. Cir. D-62
4	JL 1812 41	Assembly Speedo Flap	1	
5	JB 1812 23	Beading Speedo Flap	2	
6	KA CB05 14	Bolt-Socket-Kac St-B Dia-05 L-14	4	
7	LD B000 07	Washer Plain	3	
8	JL 4024 03	Speedometer Harness	1	N.I.

Control Cables



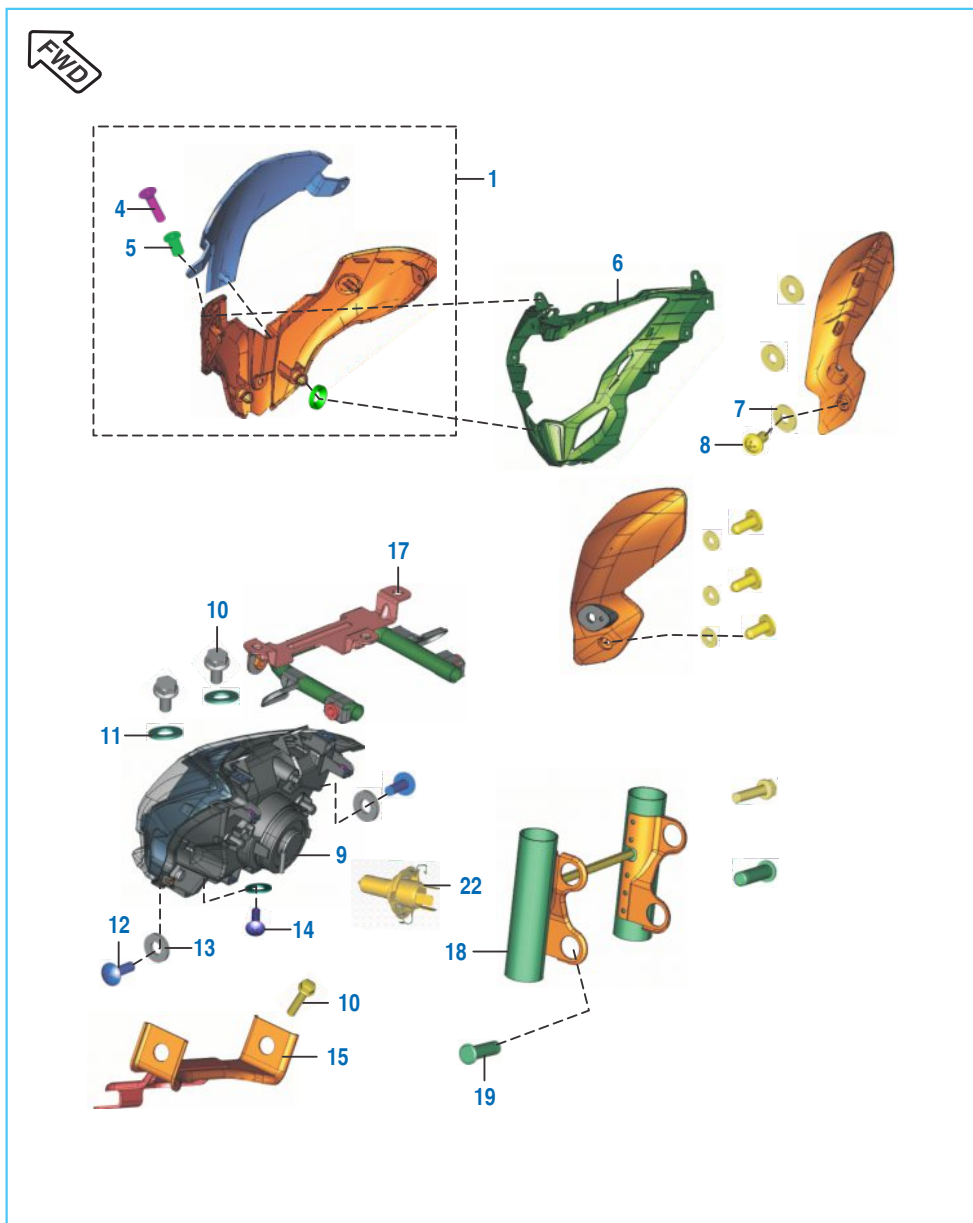
No.	Part No.	Description	Qty.	Remarks
1	JL 1612 01	Cable Throttle	1	
2	JL 1612 00	Cable Clutch	1	
3	JC 1510 19	Speed Sensor Assly.	1	N.I.

Chain Case



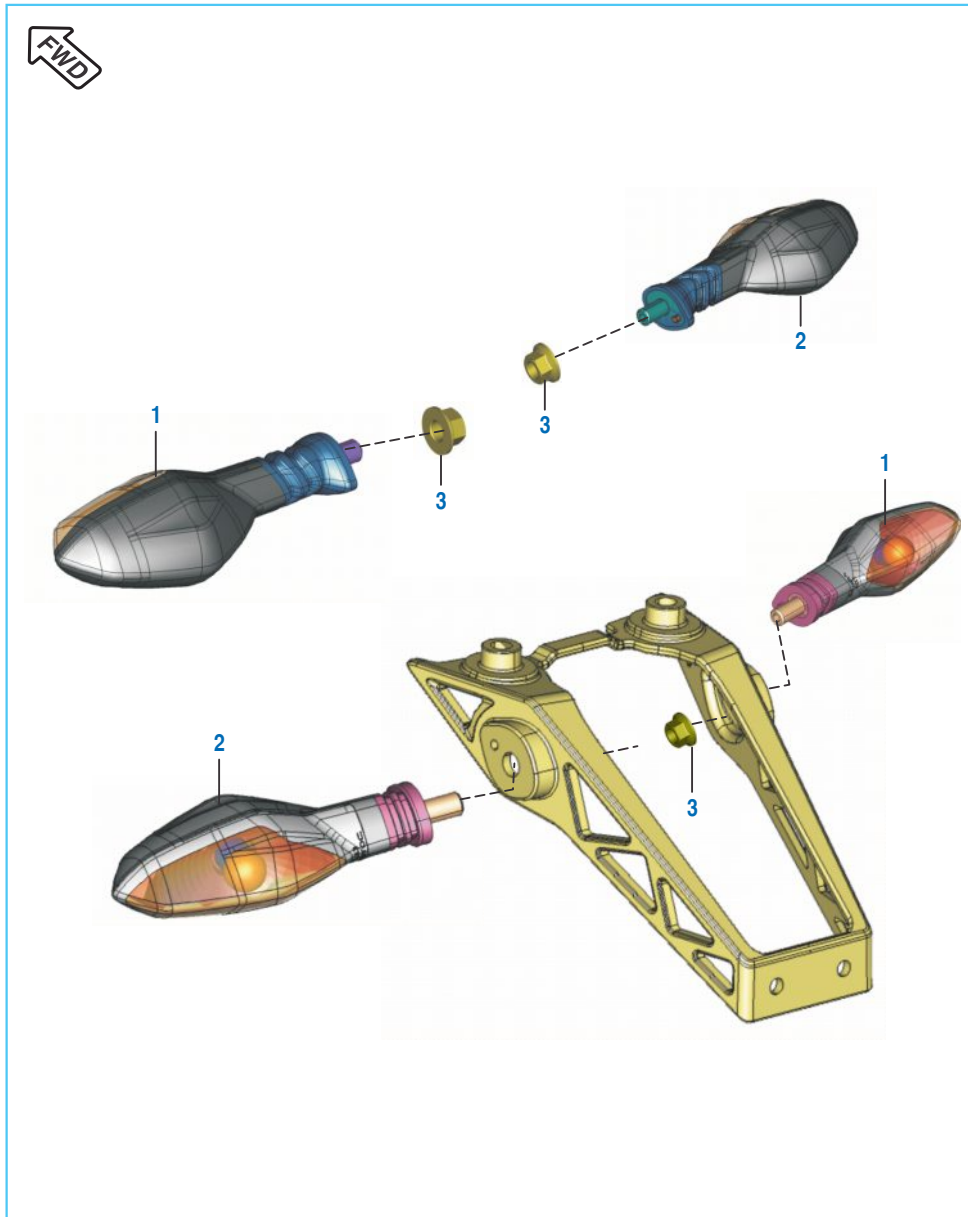
No.	Part No.	Description	Qty.	Remarks
1	JL 1812 05	Cover Assly Chain	1	
2	JG 1220 28	Extruded Washer	2	
3	39 1791 04	Bolt Flanged M6X8	2	
4	JL 1814 09	Asly Hugger Rear	1	
	DT 1814 14	Asly Hugger Rear	1	From 05.10.2013
5	JL 1810 06	Tube Rear Hugger Mtg	1	
	DT 1810 00	Tube Rear Hugger Mtg	1	From 05.10.2013
6	JL 1814 07	Cover 1- Hugger Rear	1	
	DT 1814 15	Cover 1- Hugger Rear	1	From 05.10.2013
7	JL 1814 08	Cover 2- Hugger Rear	1	
8	KB UB04 10	Screw	6	
9	LA C000 37	Bolt Soc-special Head	3	
10	39 0265 12	Spring Washer	2	
11	LA C000 36	Bolt Special Socket	2	
12	JL 1814 10	Collar Hugger Rear	2	
13	JL 1812 53	Chain Cover RH Side	1	
14	LA C000 08	Bolt Socket Head	2	
	LA C000 54	Bolt Socket Head	2	Refer Cir. D-58

Head Lamp & Fairing



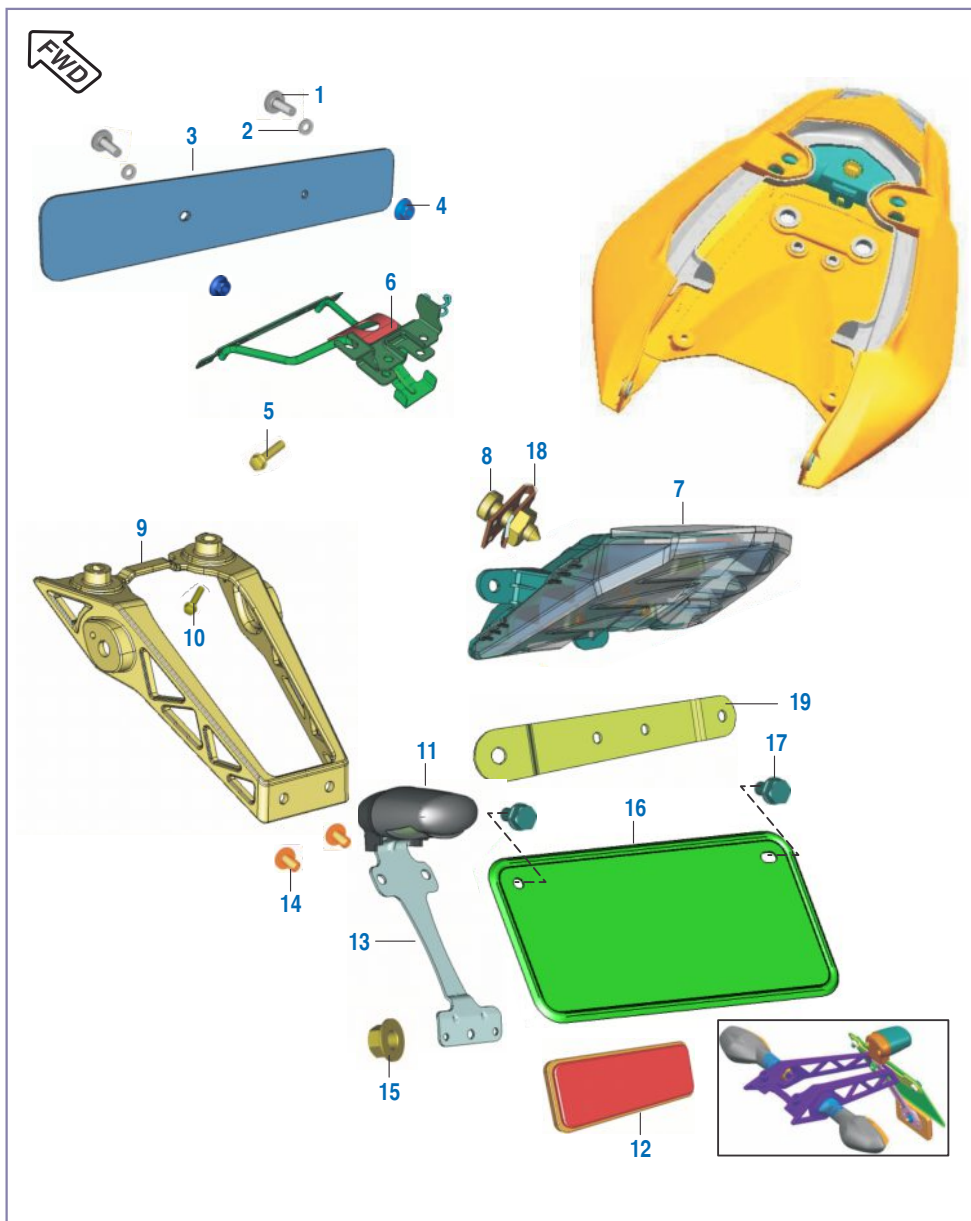
No.	Part No.	Description	Qty.	Remarks
1	JL 1810 08	Windshield Assembly	1	
2	JG 1812 36	Well Nut - M5 X 16 L	2	N.I.
3	JG 1812 35	Washer Special	2	N.I.
4	LB S000 01	Screw M5X20Lx4.8	2	
	LB S000 02	Screw CSK - Socket	2	Ref Ser. Cir. D-62
5	JL 1812 47	Grommet Wind Screen Mounting	2	
6	JL 1812 03	Fairing	1	
7	LD A000 07	Washer Plain Small	6	
	KD BA05 12	Washer Plain	6	Ref Ser. Cir. D-62
8	LB R000 02	Self Tapping Screw - Dia 5	6	
9	JL 4010 12	Head Lamp Assy	1	
	JL 4010 10	Head Lamp W/O Bulb	1	
10	39 1943 04	Bolt - Flanged	2	
11	39 0198 11	Washer - Plain	3	
12	KB UC05 16	Screw - Truss - M5 X 16L, 4.8	2	Alt. LBU00009
	KB UA05 16	Screw Truss	2	Ref Ser. Cir. D-62
13	39 2141 24	Washer (Non Metallic Round Washer)	2	
14	39 1781 01	Round Head Screw	1	
15	JL 1812 36	Bracket Lower Mtg	1	
16	JL 1812 49	Damper Head Lamp	1	N.I.
17	JL 1812 37	Bracket Upper Mtg	1	
18	JL 1812 35	Lamp Shade assly.	1	
19	KA Cb08 35	Bolt Pivot Mass Carrier	4	
20	JL 4010 11	Harness Head Lamp	1	N.I.
21	DK 2010 44	Bulb-Pilot (12V, W5W)	2	N.I.
22	EC 4010 30	Head Lamp Bulb 60/55W (H4)	1	
23	PA 1812 92	Grommet Fairing	4	Ref Ser. Cir. D-62
24	PA 1812 93	Collar Fairing Mtg	4	Ref Ser. Cir. D-62

Indicator Light Assembly



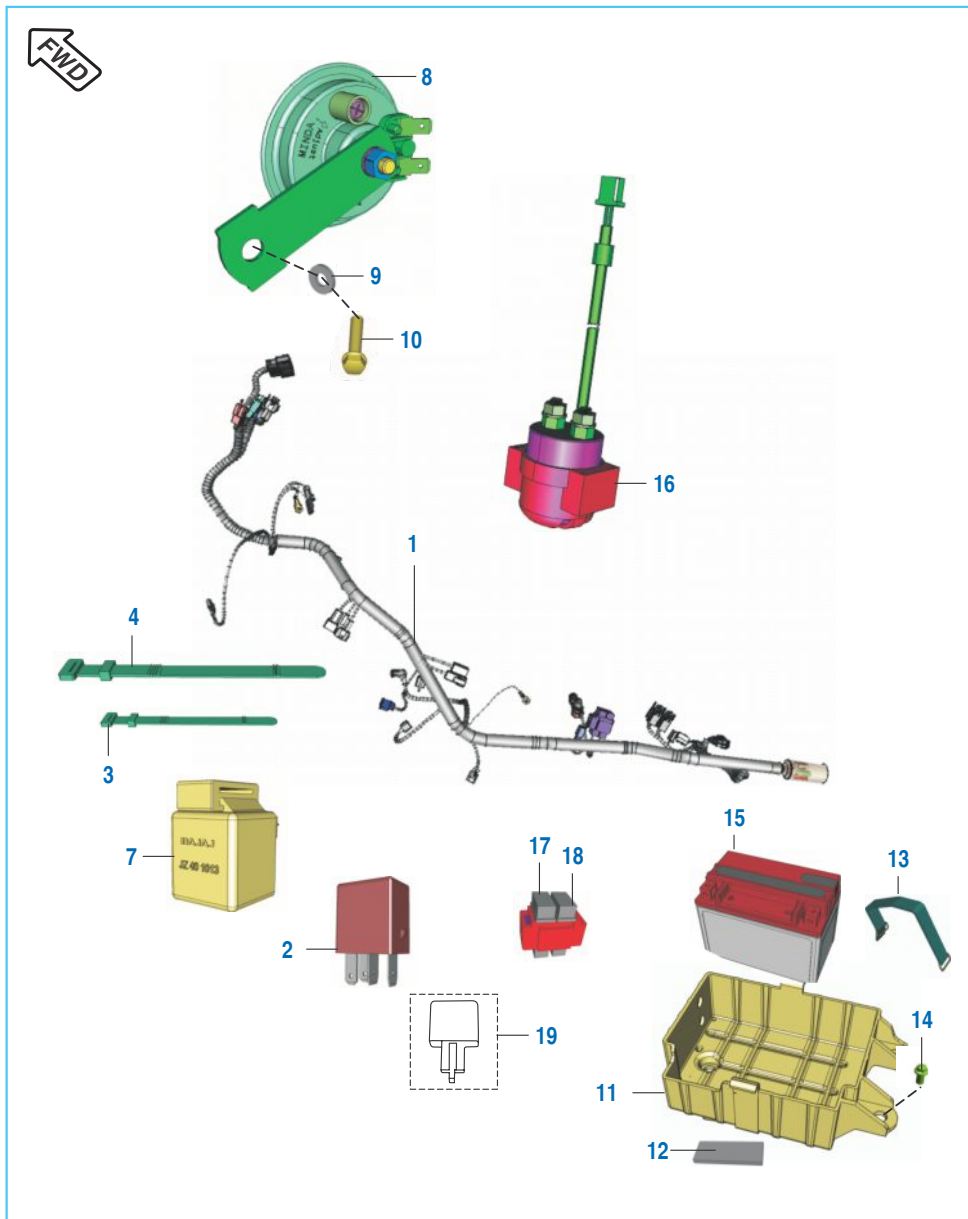
No.	Part No.	Description	Qty.	Remarks
1	JL 4010 04	Indicator Assy FR LH / RR RH	1	
2	JL 4010 03	Indicator Assy FR RH / RR LH	1	
3	39 1225 15	Nut - Hexagon With Flange : M10	4	

Tail Lamp Assly / Front Number Plate



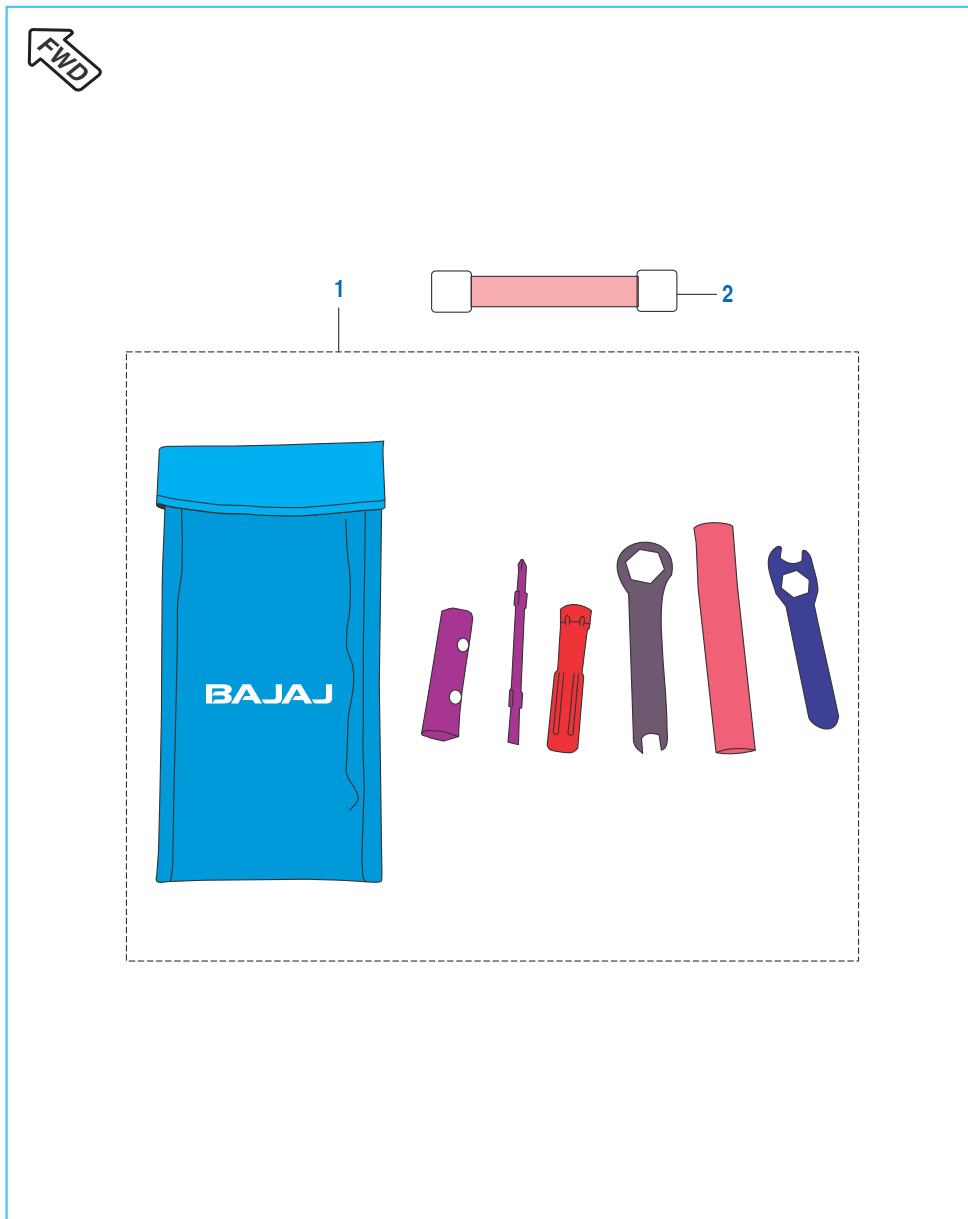
No.	Part No.	Description	Qty.	Remarks
1	LB U000 09	Screw Mashroom Head	2	
2	39 2141 24	Washer None Metallic	2	
3	JU 2328 00	Front Number Plate	1	
4	LC A000 08	Flange Nut	2	
5	39 1769 04	Hex Flanged Bolt	2	
6	JL 2328 05	Bracket Number Plate Mtg	1	
7	JL 4010 02	Lamp Tail Assly	1	
8	39 1907 01	Screw - Truss Cross : M5	3	
9	JL 1138 00	Bracket Rear Blinker Mtg	1	
10	56 JL02 3G	Blinker Bkt Moon Light Silver	1	Ref. Ser. Cir. D-62
	39 1681 04	Bolt M-6	2	
	KA DD06 10	Bolt Flanged	2	
11	JD 4010 07	Rear Number Plate Lamp	1	
12	DD 2010 02	Reflector - Reflex	1	
13	JL 1138 03	Bracket -Reflector Reflex Mtg	1	
14	39 0705 01	Screw - M5	2	
15	39 1972 15	Nut	1	
	KC GD05 05	Nut Hex Flanged	1	
16	DP 1611 45	Rear Number Plate	1	
17	39 2476 04	Bolt - Hexagon Head With Flange:M6	2	
18	DJ 1612 29	Nut Clip	3	
19	PA 4022 04	Band (Length 110Mm)	2	N.I.
20	JD 1138 00	Bracket Rear Number Plate Mtg	1	
21	JD 4010 23	Cover Number Plate Lamp	1	
22	JL 1138 11	Grommet - Illumination Bkt	2	Ref Ser. Cir. D-62
23	JL 1138 12	Sleeve - Illumination Bkt	2	Ref Ser. Cir. D-62

Electrical Equipments



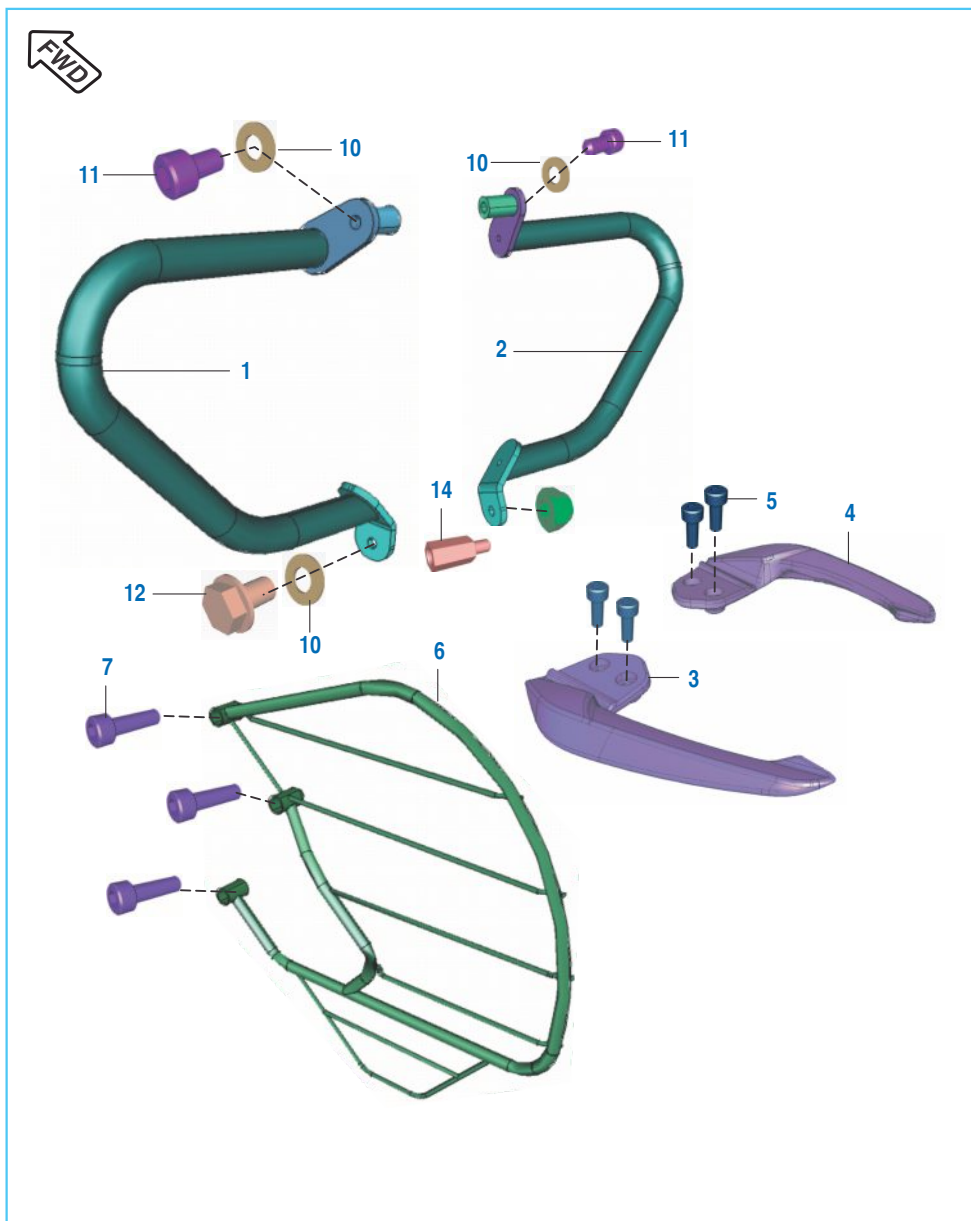
No.	Part No.	Description	Qty.	Remarks
1	JL 4022 03	Harness Wiring	1	
2	JL 4030 00	Relay Inter lock	1	
3	30 1910 48	Band (123 mm)	5	
4	30 2010 64	Band (149 mm)	3	
5	JL 4022 01	Cable Assy Relay To Motor	1	N.I.
6	JL 4022 02	Cable Earth	1	N.I.
7	JZ 4010 13	Headlamp Control Unit	1	
8	JL 4016 00	Horn LH	1	
	JG 4016 01	Horn LH	1	Ref. Ser. Cir. D-60
9	39 1507 11	Washer - Plain	1	
10	39 2205 04	Hex Head Bolt - Flanged M8	1	
11	JL 1812 18	Battery Case	1	
12	JL 4018 03	Foam Bottom Battery	11	
13	JL 4018 01	Battery Band	1	
14	39 1944 04	Bolt - Flanged	4	
15	JG 4018 00	12V 8Ah VRLA Battery	1	
16	JN 3516 04	Starter Relay- With Grommet	1	
17	JL 4022 08	Fuse - 20A (Blade Type)	2	
18	AP 2010 25	Fuse 15A (Blade Type)	2	
19	DS 2010 25	Flasher - D. C. Solid State	1	
20	PA 4022 04	Band (Length 110 mm)	2	N.I.
21	JD 4022 12	Band (Length 200 mm)	1	N.I.
22	JD 4022 17	Band (Length 150 mm)	2	N.I.

Tool Kit



No.	Part No.	Description	Qty.	Remarks
1	DJ 2210 19	Tool Kit	1	Not Serviceable
2	DK 2210 24	Band Tool Kit	2	

Accessories / Grab Handle



No.	Part No.	Description	Qty.	Remarks
1	JL 2312 01	Guard Leg LH	1	
2	JL 2312 03	Guard Leg Guard Rh	1	
3	JL 2314 04	Grab Handle Assy LH	1	
4	JL 2314 05	Grab Handle Assy RH	1	
5	LA C000 17	Bolt Socket M8 X 1.25	4	
	LA C000 35	Bolt Socket	4	Ref. Ser. Cir. D-62
6	JL 2312 02	Guard Saree	1	
7	KA CB06 22	Bolt Socket L-22	3	
8	JL 2316 00	Mirror Assly LH	1	
9	JL 2316 01	Mirror Assly RH	1	
10	KD BE06 13	Washer	2	
11	KA CA06 35	Bolt Socket	2	
12	LA D000 40	Bolt Flanged M6-6L	1	
	KA CA06 10	Bolt Master Kac	1	Ref Ser. Cir. D-62
13	JU 2312 07	Nut Nyloc M8X1.25	1	
14	JU 2312 05	Nut Leg Guard Mounting	1	

Kit List



Sr No	Kit Part No.	Kit Description	Consisting of Following Parts		
			Part No.	Description	Qty/Kit
1.	36JL0005	Kit Primary Drive+driven-P200	JG551216	Gear Primary Drive 22T	1
			JU551405	Housing Clutch Assy Comp	1
2.	36JL0009	Kit Chain Sprocket-P200	DV101048	Sprocket Output (14T)	1
			JL141000	Chain O Ring Type	1
			JL131228	Sprocket 39T O Ring Chain	1
3.	36JL0011	Kit Valve Repaire-P200	39201719	Seal - Oil	1
			JF511215	Seat Valve Spring	1
			JF511217	Valve Spring	1
			JF511214	Retainer Valve Spring	1
			DG101029	Collet	2
4.	36JL0012	Kit Tank Damper-P200	JL171028	Damper Tank Cover Fr LH	1
			JL171029	Damper Tank Cover Fr RH	1
			JL171030	Damper Tank Cover Center LH	1
			JL171031	Damper Tank Cover Center RH	1
			JL171032	Damper Tank Cover Rear	1
			JL171038	Beading Tank LH	1
5.	36JL0013	Kit Seat Damper-P200	JL191007	Damper For Seat	6
			DK211007	Damper Seat Front	1
6.	36JL0014	Kit Engine Gasket-P200	JL541207	Gasket Clutch Cover	1
			JL541208	Gasket Magneto Cover	1
			JL521002	Gasket Cylinder Block	1
			JL511022	Gasket Cylinder Head	1
			JG541041	Gasket Crankcase	1
			CS101128	Gasket	1
			JL511001	Gasket Head Cover(rubber)	1
			JG591070	Gasket Exhaust	1
7.	36JL0003	Kit Assly C'case LH-P200	JL541019	Crankcase LH Black	1
			JC101077	Plug Taper	2
			JG541021	Oil Nozzle	1
			JG541015	Needle Bearing HK 1514 RS	1
			39256220	Bearing - Needle Roller	1
			JG541020	Jet Oil Crankcase RH	1

Kit List



Sr No	Kit Part No.	Kit Description	Consisting of Following Parts		
			Part No.	Description	Qty/Kit
8.	36JL0004	Kit Assly C' Case RH-P200	JL541010	Crankcase RH Black	1
			BA102003	Plug - Oil Hole	3
			39256220	Bearing - Needle Roller	1
			JL541008	Pipe Breather Crankcase	1
9.	36JL0007	Kit Block & Piston-P200	JL521200	Piston Assly Compl	1
			JL521004	Cylinder Block With Pipe Breather	1
10.	36JL0010	Kit Assly Cyl Head-P200	JL511019	Cylinder Head	1
			39128321	Ring - O	1
			JG511046	Stud (M8*1.25)	2
11.	36JL0001	Kit Chain Guide-P200	JL531004	Guide Chain (Slack Side)	1
			JL531005	Guide Chain (Tight Side)	1
12.	36JL0002	Kit Asly Cl Cover-P200	JL541206	Clutch Cover P2011	1
			JC101077	Plug Taper	1
			JL541218	Jet Oil Cover Clutch	1
			JG541021	Oil Nozzle	2
			39199020	Bearing - Needle	1
13.	36JU0001	Kit Piston Ring-P200	JU521206	Ring Piston Top	1
			JU521207	Ring Piston Second	1
			JU521208	Ring Piston Oil	1
14.	36JU0002	Kit Friction Plate-P200	JG551448	Friction Disk A	5
			JG551455	Disc C-Clutch Friction	1
15.	36JL0019	Kit Jet P200	-- ---- --	Jet Needle	1
			-- ---- --	Needle Jet	1
			-- ---- --	Je Holder	1
			-- ---- --	Main Jet	1
			DK121063	Pilot Jet	1
16.	36JL0022	Kit Piston Valve P200	-- ---- --	Vacuum Piston Compl.	1
			DK121055	Diaphragm	1
			DK121054	Spring	1

Kit List

Sr No	Kit Part No.	Kit Description	Consisting of Following Parts		
			Part No.	Description	Qty/Kit
17.	36JL0020	Kit VC Screw P200	-- ---- -- DH121130 DH121086 DH121087 DH121088	Screw Adjuster VC O- Ring Screw VC Spring Screw VC Plain Washer O- Ring Screw VC	1 1 1 1 1
18.	36JL0021	Kit Idling Screw P200	-- ---- -- DH121163 DH121077	Screw Idling Adjustment Plain Washer Spring	1 1 1
19.	36JL0023	Kit Gasket / 'O' ring P200	DK121058 DH121118 DH121088 DH121130	O-Ring / Gasket Float Chamber O-Ring - Drain Screw O-Ring - VC Screw O-Ring - VC Screw	1 1 1 1
20.	36JL0024	Kit Jet Needle Hardware P200	DD121056 DD121050 DD121052 Dd121054	Holder For Jet Needle Spring-Jet Needle Washer-Jet Needle E-Clip	1 1 1 1

Kit List

Sr No	Kit Part No.	Kit Description	Consisting of Following Parts		
			Part No.	Description	Qty/Kit

Parts Index

Part Number	Figure No.	Page No.	Part Number	Figure No.	Page No.
01 1100 05	16	18	36 JL00 24	9	38
30 1011 95	3	34	36 JL00 25	1	62
30 1910 38	14	74	36 JL00 26	13	88
30 1910 48	3	110	36 JL00 27	14	88
30 2010 64	4	110	36 JL00 28	14	88
31 1011 73	7	12	36 JL00 29	14	88
31 1610 78	11	96	36 JL00 30	14	88
31 2010 79	5	76	36 JL00 31	26	96
36 DH19 02	4	68	36 JL00 41	24	58
36 JG00 04	2	26	36 JL00 46	1	32
36 JG00 11	7	52	36 JL00 48	13	88
36 JG00 18	20	74	36 JL00 49	13	88
36 JL00 01	15	8	36 JL00 52	18	90
36 JL00 02	1	32	36 JL00 53	18	90
36 JL00 03	1	22	36 JL00 54	17	90
36 JL00 04	2	20	36 JL00 55	17	90
36 JL00 05	3	12	36 JL00 57	16	90
36 JL00 05	3	36	36 JL00 58	16	90
36 JL00 07	1	10	36 JL00 60	14	88
36 JL00 09	2	72	36 JL00 61	14	88
36 JL00 10	4	4	36 JL00 63	13	88
36 JL00 11	10	6	36 JL00 64	14	88
36 JI00 12	5	94	36 JL00 65	14	88
36 JL00 13	2	48	36 JL00 66	16	90
36 JL00 14	17	22	36 JL00 67	17	90
36 JL00 15	14	56	36 JL00 68	18	90
36 JL00 19	5	38	36 JU00 01	2	10
36 JL00 20	6	38	36 JU00 02	6	36
36 JL00 21	7	38	39 0198 11	15	74
36 JL00 22	8	38	39 0198 11	11	104
36 JL00 23	10	38	39 0239 11	8	40

Parts Index

Part Number	Figure No.	Page No.	Part Number	Figure No.	Page No.
39 0239 11	15	60	39 1507 11	9	110
39 0239 11	19	96	39 1537 21	7	32
39 0242 11	9	60	39 1551 04	27	30
39 0265 12	10	102	39 1665 11	15	24
39 0291 15	3	98	39 1672 04	5	92
39 0326 15	11	60	39 1673 04	10	4
39 0422 15	11	62	39 1681 04	10	108
39 0454 11	11	54	39 1769 04	2	76
39 0553 02	12	54	39 1769 04	5	108
39 0705 01	14	108	39 1773 04	6	22
39 0732 12	28	30	39 1776 02	25	96
39 0746 01	21	20	39 1778 02	7	96
39 0808 08	6	18	39 1780 01	16	38
39 0808 08	16	74	39 1781 01	13	96
39 0840 01	13	66	39 1781 01	14	104
39 0849 14	12	44	39 1791 04	3	102
39 0900 12	12	66	39 1907 01	8	96
39 0999 06	5	26	39 1907 01	8	108
39 0999 06	11	32	39 1913 04	11	48
39 0999 06	4	34	39 1931 20	2	12
39 1041 19	10	32	39 1931 20	6	12
39 1043 19	8	22	39 1931 20	3	20
39 1046 19	15	32	39 1941 04	4	62
39 1054 11	22	94	39 1943 04	8	60
39 1055 15	20	58	39 1943 04	21	94
39 1062 04	9	50	39 1943 04	17	96
39 1076 01	20	96	39 1943 04	10	104
39 1180 11	3	78	39 1944 04	23	30
39 1197 04	18	96	39 1944 04	4	46
39 1225 15	3	106	39 1944 04	5	52
39 1283 21	9	4	39 1944 04	14	110

Parts Index



Part Number	Figure No.	Page No.
39 1946 04	7	60
39 1946 04	5	62
39 1946 04	18	94
39 1951 04	3	50
39 1954 04	18	58
39 1972 15	15	108
39 1990 20	2	32
39 2005 11	18	20
39 2017 19	1	6
39 2038 04	6	60
39 2038 04	17	72
39 2060 04	13	62
39 2060 04	3	96
39 2132 17	5	10
39 2141 24	7	92
39 2141 24	9	96
39 2141 24	13	104
39 2141 24	2	108
39 2158 11	2	14
39 2159 11	24	14
39 2165 11	4	12
39 2165 11	8	44
39 2181 06	3	10
39 2200 11	10	12
39 2200 11	12	36
39 2203 07	5	12
39 2204 04	14	28
39 2205 04	10	110
39 2241 20	3	66
39 2241 20	3	72
39 2242 20	4	72

Part Number	Figure No.	Page No.
39 2381 04	3	94
39 2420 01	10	60
39 2427 04	10	78
39 2440 11	12	6
39 2453 04	9	18
39 2469 04	6	62
39 2475 04	5	56
39 2475 04	6	76
39 2476 04	17	108
39 2484 15	7	94
39 2492 11	12	42
39 2562 20	20	20
39 2562 20	13	22
39 2601 20	11	20
39 2602 20	8	20
39 2606 07	3	16
39 2606 07	16	24
39 2608 01	15	4
39 2629 21	8	4
39 2669 21	10	8
39 2699 20	16	4
39 2711 15	29	30
39 2723 15	6	50
39 2754 04	11	42
39 2758 21	6	94
52 JL00 54	8	88
52 JL00 55	9	88
52 JL00 59	6	86
52 JL00 65	6	86
52 JL00 66	6	86
52 JL00 67	6	86

Parts Index



Part Number	Figure No.	Page No.
52 JL00 73	1	32
52 JL01 41	5	66
52 JL01 42	16	72
52 JL01 45	1	34
56 JL06 01	1	50
56 JL07 01	2	50
52 JL01 58	8	56
52 JL01 59	2	56
52 JL01 87	6	86
52 JL01 88	6	86
52 JL01 89	6	86
52 JL01 90	6	86
52 JL01 91	5	86
52 JL01 92	4	86
52 JL01 93	5	86
52 JL01 94	4	86
52 JL01 95	5	86
52 JL01 96	4	86
52 JL01 97	5	86
52 JL01 98	4	86
56 JL01 01	14	56
56 JL02 01	15	56
56 JL02 3G	9	108
56 JL04 01	2	94
56 JL07 3G	13	56
56 JL08 3G	17	56
56 JL10 4R	7	88
56 JL10 5N	7	88
56 JL10 5Y	7	88
56 JL10 X3	7	88
56 JL20 4R	2	84

Part Number	Figure No.	Page No.
56 JL20 5N	2	84
56 JL20 5Y	2	84
56 JL20 X3	2	84
56 JL21 4R	3	84
56 JL21 5N	3	84
56 JL21 5Y	3	84
56 JL21 X3	3	84
56 JL31 5X	2	78
56 JL32 5X	6	78
56 JL33 5X	18	80
59 0200 01	14	96
59 0400 14	17	96
59 2000 06	11	22
59 2000 28	14	20
59 2000 36	2	24
59 2100 19	11	66
AN 1110 15	13	46
AP 1012 36	3	8
AP 2010 25	18	110
BF 5510 37	6	14
BF 5510 37	15	14
CB 1210 42	12	38
CS 1011 28	12	8
DD 1110 11	18	46
DD 1110 12	11	46
DD 1410 22	17	94
DD 2010 02	12	108
DE 1510 46	10	74
DE 1510 47	3	70
DE 1510 47	9	74
DE 1910 10	10	68

Parts Index



Part Number	Figure No.	Page No.	Part Number	Figure No.	Page No.
DE 1910 10	8	74	DH 1015 09	3	18
DE 1910 11	11	68	DH 1016 07	5	42
DE 1910 28	7	68	DH 1016 48	13	36
DE 1910 29	6	68	DH 1110 13	16	46
DE 1910 33	15	68	DH 1110 16	17	46
DF 1611 02	12	62	DH 1210 63	14	38
DG 1010 29	9	6	DH 1210 64	13	38
DG 1014 18	8	32	DH 1611 46	16	62
DG 1014 56	10	22	DH 1910 06	9	76
DG 1210 02	12	40	DH 1910 13	4	76
DG 1510 05	4	66	DH 1910 17	17	78
DG 1611 24	2	62	DJ 1510 74	6	70
DG 1710 15	17	54	DJ 1510 75	7	70
DG 1710 16	4	54	DJ 1610 69	3	60
DG 1710 17	19	54	DJ 1612 29	4	96
DG 1710 18	5	54	DJ 1612 29	18	108
DG 1710 19	6	54	DJ 1810 65	2	28
DG 1810 08	8	78	DJ 1810 65	22	30
DG 1810 08	25	82	DJ 1810 65	9	92
DH 10 13 89	13	44	DJ 1910 23	14	68
DH 1010 48	9	24	DJ 1910 29	2	68
DH 1011 99	6	46	DJ 1910 30	3	68
DH 1012 35	12	14	DJ 1910 31	5	68
DH 1012 95	11	6	DJ 1910 56	8	68
DH 1013 36	13	14	DJ 1910 57	1	68
DH 1013 81	3	22	DJ 1910 82	11	78
DH 1013 83	9	20	DJ 1910 83	12	78
DH 1013 83	17	32	DJ 2011 00	9	68
DH 1013 88	22	32	DJ 2012 46	13	78
DH 1013 92	14	8	DJ 2210 19	1	112
DH 1013 96	9	44	DK 1012 25	14	4

Parts Index



Part Number	Figure No.	Page No.	Part Number	Figure No.	Page No.
DK 1012 84	5	46	DK 1810 15	11	80
DK 1013 52	25	14	DK 1810 17	9	80
DK 1013 86	10	24	DK 1810 18	7	80
DK 1110 11	20	46	DK 1810 19	8	80
DK 1110 28	8	46	DK 1810 20	10	80
DK 1210 45	21	38	DK 1810 21	6	80
DK 1210 47	15	38	DK 1810 22	16	80
DK 1210 58	23	38	DK 1810 23	17	80
DK 1510 12	9	72	DK 1810 25	23	82
DK 1510 13	8	72	DK 1810 28	24	82
DK 1510 15	14	72	JL 1210 01	15	80
DK 1510 26	2	64	DK 2010 44	21	104
DK 1510 31	2	74	DK 2110 07	3	48
DK 1510 36	1	72	DK 2210 24	2	112
DK 1510 45	19	74	DL 1610 15	21	96
DK 1510 63	7	74	DP 1011 14	16	36
DK 1510 69	4	74	DP 1011 43	15	36
DK 1510 73	17	74	DP 1011 91	23	20
DK 1510 74	18	74	DP 1611 45	16	108
DK 1510 81	20	72	DS 1011 54	8	24
DK 1510 82	21	72	DS 1012 15	9	32
DK 1510 83	1	74	DS 1211 26	13	40
DK 1510 85	13	74	DS 1410 12	12	96
DK 1510 88	11	74	DS 1611 25	2	60
DK 1510 89	12	74	DS 1612 87	6	48
DK 1810 06	4	80	DS 2010 25	19	110
DK 1810 07	5	80	DU 1012 25	7	8
DK 1810 09	14	80	DV 1010 48	29	14
DK 1810 10	14	80	EC 4010 30	22	104
DK 1810 12	14	80	EC 5610 23	2	16
DK 1810 13	14	80	FD 2110 06	5	48

Parts Index



Part Number	Figure No.	Page No.
JA 1134 03	5	50
JA 3516 27	14	44
JA 5410 48	15	22
JA 5412 33	2	34
JA 5813 14	11	38
JB 1812 23	5	98
JC 1010 34	9	8
JC 1510 19	3	100
JC 1510 20	8	66
JC 1810 22	21	80
JC 1810 23	20	80
JC 2010 46	10	66
JD 1138 00	20	108
JD 1318 11	6	66
JD 1910 06	8	48
JD 3512 07	12	46
JD 3518 00	17	38
JD 4010 07	11	108
JD 4010 23	21	108
JD 4022 12	21	110
JD 4022 17	22	110
JD 5614 16	5	18
JF 5112 07	7	6
JF 5112 28	1	8
JG 1220 28	2	102
JG 1310 01	2	66
JG 1312 19	6	72
JG 1318 21	5	74
JG 1710 29	20	28
JG 1812 35	3	104
JG 1812 36	2	104

Part Number	Figure No.	Page No.
JG 1812 38	2	98
JG 1910 08	4	48
JG 2326 01	9	48
JG 2326 06	10	48
JG 3510 19	10	44
JG 3512 09	9	46
JG 3514 00	13	4
JG 4018 00	15	110
JG 5110 21	3	2
JG 5110 22	4	2
JG 5110 46	5	4
JG 5112 69	7	8
JG 5112 70	13	8
JG 5310 27	8	12
JG 5310 31	9	12
JG 5310 39	13	12
JG 5310 39	5	44
JG 5310 40	14	12
JG 5310 40	6	44
JG 5310 41	12	12
JG 5310 41	4	44
JG 5312 07	7	24
JG 5312 11	3	24
JG 5312 12	4	24
JG 5312 15	5	24
JG 5312 20	2	8
JG 5410 15	12	22
JG 5410 41	16	22
JG 5410 44	5	22
JG 5410 45	22	20
JG 5410 46	4	20

Parts Index



Part Number	Figure No.	Page No.
JG 5410 58	18	22
JG 5410 59	10	20
JG 5410 63	4	22
JG 5410 68	1	4
JG 5412 30	7	32
JG 5412 31	16	32
JG 5510 00	22	14
JG 5510 10	26	14
JG 5510 13	3	14
JG 5510 15	5	32
JG 5510 17	4	32
JG 5510 19	27	14
JG 5510 20	5	14
JG 5510 20	18	14
JG 5510 21	19	14
JG 5510 22	10	14
JG 5510 25	11	14
JG 5510 27	1	14
JG 5512 13	4	14
JG 5512 14	7	14
JG 5512 15	20	14
JG 5512 20	8	14
JG 5512 22	16	14
JG 5512 23	17	14
JG 5512 24	21	14
JG 5512 25	23	14
JG 5512 27	9	14
JG 5512 28	14	14
JG 5514 23	14	36
JG 5514 27	2	36
JG 5514 28	4	36

Part Number	Figure No.	Page No.
JG 5514 43	8	36
JG 5514 47	7	36
JG 5514 49	5	36
JG 5514 51	11	36
JG 5610 09	17	20
JG 5610 10	4	16
JG 5610 11	1	16
JG 5610 12	7	16
JG 5610 13	8	16
JG 5610 16	9	16
JG 5612 00	10	18
JG 5612 04	15	20
JG 5612 05	16	20
JG 5612 15	11	16
JG 5612 15	11	18
JG 5612 17	13	18
JG 5612 18	12	18
JG 5612 22	5	16
JG 5612 25	10	16
JG 5612 26	19	20
JG 5710 14	24	20
JG 5710 16	25	20
JG 5710 18	3	26
JG 5710 24	14	22
JG 5810 14	30	30
JG 5810 14	8	52
JG 5812 42	9	40
JG 5814 42	22	38
JG 5910 38	3	42
JG 5910 39	6	42
JG 5910 53	13	42

Parts Index

Part Number	Figure No.	Page No.	Part Number	Figure No.	Page No.
JG 5910 70	10	42	JL 1130 07	2	56
JG 5910 88	15	42	JL 1130 12	3	56
JG 5910 96	7	42	JL 1130 13	12	56
JG 5910 97	8	42	JL 1130 14	14	56
JG 6010 05	6	24	JL 1130 15	16	56
JG 6010 07	6	20	JL 1130 16	15	56
JG 6010 11	12	24	JL 1130 20	22	58
JG 6010 12	13	24	JL 1130 26	13	56
JG 6010 13	11	24	JL 1130 27	17	56
JG 6012 09	8	28	JL 1130 28	20	58
JG 6012 10	7	28	JL 1130 32	23	58
JG 6012 11	18	28	JL 1130 33	4	56
JG 6012 21	13	28	JL 1130 33	7	76
JG 6012 29	17	28	JL 1130 34	7	56
JG 6012 34	8	28	JL 1130 36	20	58
JG 6012 35	17	28	JL 1132 01	9	62
JG 6014 00	16	28	JL 1132 02	17	62
JG 6214 12	3	44	JL 1132 07	7	62
JG 6214 13	2	44	JL 1132 09	15	62
JG 6214 17	7	44	JL 1132 10	3	62
JL 1110 54	4	50	JL 1132 12	8	62
JL 1110 78	6	52	JL 1134 00	1	50
JL 1110 81	3	52	JL 1134 01	2	50
JL 1110 82	4	52	JL 1138 00	9	108
JL 1110 92	7	50	JL 1138 03	13	108
JL 1110 93	8	50	JL 1138 11	22	108
JL 1111 03	2	52	JL 1138 12	23	108
JL 1111 06	1	52	JL 1220 01	8	54
JL 1111 09	18	54	JL 1220 02	7	54
JL 1130 00	8	56	JL 1220 03	10	54
JL 1130 02	1	56	JL 1220 04	13	54

Parts Index

Part Number	Figure No.	Page No.	Part Number	Figure No.	Page No.
JL 1220 06	1	54	JL 1510 23	18	78
JL 1220 08	14	54	JL 1510 24	1	80
JL 1220 09	9	54	JL 1510 26	2	78
JL 1220 14	3	54	JL 1510 28	5	78
JL 1310 00	7	66	JL 1510 30	6	78
JL 1310 01	14	66	JL 1510 32	18	80
JL 1310 04	3	64	JL 1510 34	7	78
JL 1310 04	1	66	JL 1510 35	9	78
JL 1310 05	5	66	JL 1510 36	26	82
JL 1310 06	1	64	JL 1510 37	22	82
JL 1312 03	13	72	JL 1510 38	2	78
JL 1312 09	4	64	JL 1610 01	1	76
JL 1312 11	15	72	JL 1610 03	15	78
JL 1312 16	5	72	JL 1610 06	8	76
JL 1312 18	16	72	JL 1610 08	16	78
JL 1312 19	5	64	JL 1610 10	3	76
JL 1312 20	6	74	JL 1612 00	2	100
JL 1312 25	7	72	JL 1612 01	1	100
JL 1312 26	11	72	JL 1710 18	20	94
JL 1318 02	12	68	JL 1710 19	19	94
JL 1318 03	3	74	JL 1710 20	23	94
JL 1318 04	1	70	JL 1710 22	2	96
JL 1318 05	5	70	JL 1710 23	2	96
JL 1318 06	2	70	JL 1710 24	5	96
JL 1318 07	4	70	JL 1710 35	12	94
JL 1318 11	12	60	JL 1710 36	11	94
JL 1510 02	2	80	JL 1710 37	8	94
JL 1510 03	3	80	JL 1710 44	1	94
JL 1510 04	13	80	JL 1710 48	6	96
JL 1510 12	12	80	JL 1710 49	4	94
JL 1510 21	1	78	JL 1710 57	1	96

Parts Index

Part Number	Figure No.	Page No.	Part Number	Figure No.	Page No.
JL 1710 60	14	94	JL 1812 53	13	102
JL 1710 61	16	96	JL 1812 56	3	28
JL 1710 62	15	96	JL 1812 93	12	96
JL 1710 63	9	94	JL 1814 02	4	60
JL 1710 96	24	94	JL 1814 05	1	60
JL 1716 00	2	94	JL 1814 07	6	102
JL 1718 00	13	94	JL 1814 08	7	102
JL 1718 01	16	94	JL 1814 09	4	102
JL 1718 02	10	94	JL 1814 10	12	102
JL 1718 03	15	94	JL 1814 11	5	60
JL 1810 06	5	102	JL 1910 01	1	48
JL 1810 08	1	104	JL 1910 04	7	48
JL 1812 03	6	104	JL 2312 01	1	114
JL 1812 05	1	102	JL 2312 02	6	114
JL 1812 09	13	60	JL 2312 03	2	114
JL 1812 14	23	96	JL 2312 06	19	58
JL 1812 18	11	110	JL 2314 04	3	114
JL 1812 19	22	96	JL 2314 04	3	114
JL 1812 21	14	60	JL 2314 05	4	114
JL 1812 24	15	54	JL 2314 05	4	114
JL 1812 25	16	54	JL 2316 00	23	78
JL 1812 26	8	92	JL 2316 00	8	114
JL 1812 29	1	92	JL 2316 01	22	78
JL 1812 32	6	92	JL 2316 01	9	114
JL 1812 35	19	80	JL 2328 05	6	108
JL 1812 35	18	104	JL 2330 02	12	88
JL 1812 36	15	104	JL 2330 03	11	88
JL 1812 37	17	104	JL 2330 04	10	88
JL 1812 41	4	98	JL 2330 05	15	90
JL 1812 47	5	104	JL 2330 06	16	90
JL 1812 49	16	104	JL 2330 15	9	34

Parts Index

Part Number	Figure No.	Page No.	Part Number	Figure No.	Page No.
JL 2330 15	11	34	JL 5010 03	1	20
JL 3510 03	3	46	JL 5110 01	2	2
JL 3510 09	2	46	JL 5110 02	1	2
JL 3512 00	10	46	JL 5110 06	4	6
JL 3512 01	14	46	JL 5110 07	5	6
JL 3512 02	15	46	JL 5110 09	3	4
JL 3516 00	1	44	JL 5110 10	2	6
JL 3518 00	7	22	JL 5110 11	3	6
JL 4010 02	7	108	JL 5110 16	3	38
JL 4010 03	2	106	JL 5110 22	6	4
JL 4010 04	1	106	JL 5110 29	11	4
JL 4010 10	9	104	JL 5112 05	6	6
JL 4010 11	20	104	JL 5112 19	7	4
JL 4010 12	9	104	JL 5112 20	6	8
JL 4014 00	20	78	JL 5112 21	5	8
JL 4014 01	21	78	JL 5112 22	8	8
JL 4014 02	10	62	JL 5210 02	4	10
JL 4014 03	19	78	JL 5412 02	1	34
JL 4016 00	8	110	JL 5412 03	7	34
JL 4018 01	13	110	JL 5412 07	12	32
JL 4018 03	12	110	JL 5412 08	5	34
JL 4020 01	1	46	JL 5412 10	13	32
JL 4022 01	5	110	JL 5412 18	19	32
JL 4022 02	6	110	JL 5412 21	26	20
JL 4022 03	1	110	JL 5412 22	18	32
JL 4022 08	17	110	JL 5412 23	10	34
JL 4024 00	1	98	JL 5412 27	8	32
JL 4024 03	8	98	JL 5412 30	20	32
JL 4026 00	6	94	JL 5412 31	21	32
JL 4030 00	2	110	JE 5412 18	26	20
JL 4036 00	14	62	JL 5614 01	1	18



Parts Index

Part Number	Figure No.	Page No.	Part Number	Figure No.	Page No.
JL 5614 04	2	18	JL 6012 14	25	30
JL 5614 05	4	18	JL 6012 15	19	28
JL 5614 07	7	18	JL 6012 19	10	28
JL 5614 08	8	18	JL 6012 20	9	28
JL 5614 09	14	18	JL 6012 24	12	4
JL 5614 10	15	18	JL 6012 25	12	4
JL 5810 00	1	40	JL 6012 27	24	30
JL 5810 09	5	40	JL 7301 5M	2	84
JL 5810 15	11	40	JL 7301 5N	2	84
JL 5810 16	10	40	JL 7301 5P	2	84
JL 5810 23	2	40	JL 7301 5Q	2	84
JL 5810 25	4	40	JL 7302 5M	3	84
JL 5810 27	4	38	JL 7302 5N	3	84
JL 5812 01	1	38	JL 7302 5P	3	84
JL 5812 04	18	38	JL 7302 5Q	3	84
JL 5812 05	19	38	JL 7401 5M	1	84
JL 5812 06	20	38	JL 7401 5N	1	84
JL 5813 00	2	38	JL 7401 5P	1	84
JL 5910 48	2	42	JL 7401 5Q	1	84
JL 5910 52	1	42	JL 7401 X3	1	84
JL 5910 75	9	42	JL 7601 5M	5	86
JL 5910 86	16	42	JL 7601 5N	5	86
JL 5911 44	4	42	JL 7601 5P	5	86
JL 5911 48	17	42	JL 7601 5Q	5	86
JL 6010 00	6	28	JL 7602 5M	4	86
JL 6012 00	15	28	JL 7602 5N	4	86
JL 6012 08	12	28	JL 7602 5P	4	86
JL 6012 09	21	30	JL 7602 5Q	4	86
JL 6012 10	1	28	JL 7801 5M	7	88
JL 6012 12	11	28	JL 7801 5N	7	88
JL 6012 13	24	30	JL 7801 5P	7	88

Parts Index

Part Number	Figure No.	Page No.	Part Number	Figure No.	Page No.
JL 7801 5Q	7	88	KA DQ06 20	11	8
JN 3516 04	16	110	KA Dq06 20	14	24
JU 2312 05	14	114	KA DQ06 25	14	42
JU 2312 07	13	114	KA DQ06 25	1	44
JU 2328 00	3	108	KA DQ06 30	14	32
JU 5310 27	1	12	KA DQ06 30	6	34
JU 5312 13	7	20	KA DQ06 45	8	34
JU 5312 13	1	24	KA EA06 08	5	56
JU 5410 05	13	20	KA EM06 22	3	40
JU 5514 01	6	32	KB BA05 12	21	74
JU 5514 02	10	36	KB BG06 12	19	22
JU 5514 04	1	36	KB UA05 16	12	104
JU 5514 06	9	36	KB UA06 12	4	92
JU 5710 00	1	26	KB UB04 10	8	102
JW 1710 15	4	28	KB UB05 12	2	92
JW 1812 36	3	92	KB UC05 16	12	104
JY 5514 02	11	44	KC AA05 04	3	98
JZ 4010 13	7	110	KC GD05 05	15	108
KA CA06 10	12	114	KD BA05 12	7	104
KA CA06 35	11	114	KD BE06 13	10	114
KA CA08 20	6	56	KE AA11 10	4	26
KA CB05 14	6	98	KE BA37 15	9	22
KA CB06 22	7	114	LA A000 19	10	72
KA Cb08 35	19	104	LA C000 08	14	102
KA DA06 16	5	28	LA C000 16	11	56
KA DA06 30	7	40	LA C000 17	5	114
KA DD06 10	10	108	LA C000 19	2	54
KA DE06 10	18	58	LA C000 20	4	78
KA DE06 20	11	48			
KA DM06 10	6	40			
KA DP05 16	27	20			

Parts Index

Part Number	Figure No.	Page No.	Part Number	Figure No.	Page No.
LA C000 22	10	96	LD A000 07	7	104
LA C000 24	6	16	LD A000 08	2	4
LA C000 35	5	114	LD A000 13	10	56
LA C000 36	11	102	LD B000 07	7	98
LA C000 37	9	102	LD B000 09	15	66
LA D000 37	13	68	LD B000 09	18	72
LA D000 40	26	30	LD B000 20	3	32
LA D000 40	12	114	LE B000 01	4	8
LA D000 40	9	52	LE B000 01	28	20
LA D000 63	27	20	LJ A000 04	14	22
LA D000 77	5	20	PA 1812 92	23	104
LA D000 82	14	28	PA 1812 93	24	104
LA E000 10	7	46	PA 4022 04	19	108
LA E000 14	2	22	PA 4022 04	20	110
LA E000 16	8	6			
LA E000 17	28	14			
LA E000 18	6	26			
LB B000 06	12	20			
LB R000 02	8	104			
LB S000 01	4	104			
LB S000 02	4	104			
LB U000 09	1	108			
LC A000 08	4	108			
LC A000 09	12	72			
LC D000 01	11	12			
LC J000 02	16	66			
LC J000 02	19	72			
LD A000 07	24	96			